

# Splice Saver Connection Systems

### Description

Splice Saver connectors are capable of providing one or several splices within a single connection assembly. These may be either grounded or non-grounded, sealed or unsealed applications. This system is packaged in a streamlined, low profile and easy to use configuration, using either 1.5 mm or 2.8 mm blade sizes. A typical system is comprised of three pieces; 1) male cap assembly, 2) female connector, and 3) Terminal Position Assurance (TPA). Splicing is accomplished within the male cap assembly using a segmented bus blade.

### Typical Applications

The most common purpose for this system is to eliminate crimped splice (clip and dip) applications. When integrated into an electrical architecture, it can be very effective in eliminating splicing altogether. This system is ideal for both single-point grounding and single-feed power distribution. The convenient packaging also enables it to be used for a variety of testing/diagnostic interfaces including those for signal-level sensors and computer circuits.

### Performance Advantages

This connection system eliminates the need for environmentally unfriendly solder and its associated handling/use problems. Delphi has developed a 12-way system which can be configured to accommodate four different bussing configurations with only a connector index change. Splice Saver connections prove instrumental in reducing the total number of cut leads and connectors, therefore reducing electrical/electronic distribution system mass.



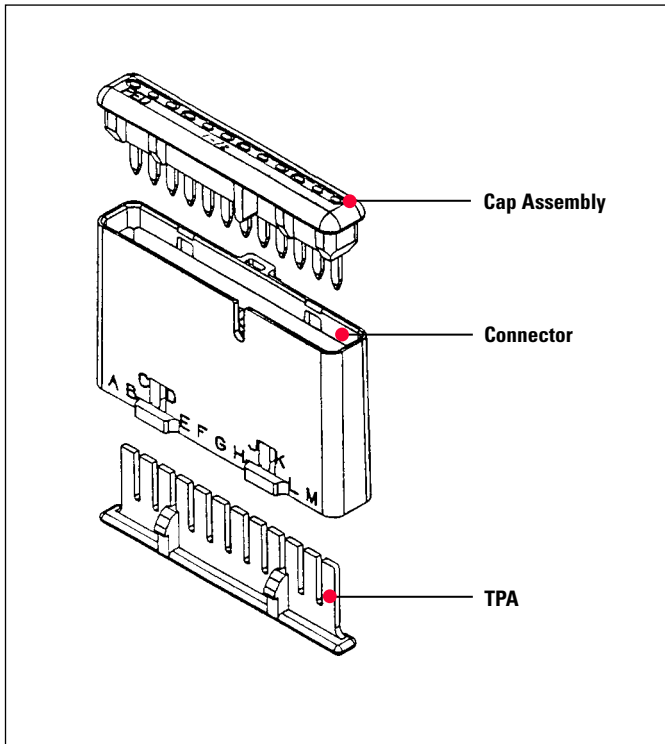
### Features

- Eliminates the need for solder
- Flexible configuration
- Uses 150 GT Series terminals, or 150 or 280 Metri-Pack
- Uses ISO or SAE compatible terminals
- Low profile connector with cap lock
- Available in sealed/unsealed and grounded/non-grounded versions

# Splice Saver Connection Systems

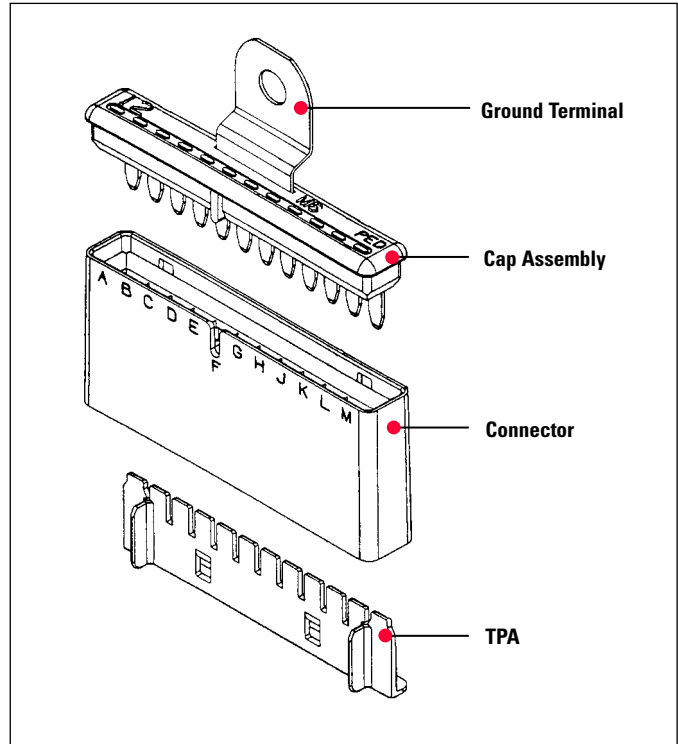
## Splice Saver Connector Assembly

Showing: 150 GT – 12-way Single Row Unsealed



## Splice Saver Ground Connector Assembly

Showing: 280 Metri-Pack – 12-way Single Row Unsealed



### Application Guidelines

Terminal Series	150 GT Unsealed	280 Metri-Pack Unsealed
Cable Range	0.35 – 1.0 mm <sup>2</sup>	0.35 – 5.0 mm <sup>2</sup>
Current Range	0 – 15 amps (1.0 mm <sup>2</sup> cable)	0 – 30 amps (3.0 mm <sup>2</sup> cable)
Temperature Range	-40°C to 125°C	-40°C to 125°C
Resistance	<10mΩ @ 20mV	<10mΩ @ 20mV
Voltage Drop	<10.0mV/amp	<5.0mV/amp
Centerline Spacing	3.4 mm	5.0/6.3 mm
Blade Width	1.5 mm	2.8 mm

The data is based on single circuits in free space and was generated using a "Lumped Resistance" model. The data presented here does not account for all variables that would be present in an actual application. Delphi Engineering can model customers' specific applications upon request. For additional detailed product performance, contact 1-800-722-5273 or visit our website at [www.delphi.com](http://www.delphi.com).

# DELPHI

[www.delphi.com/connect](http://www.delphi.com/connect)

### Connection Systems

M/C 483.400.301  
 5725 Delphi Drive  
 Troy, MI 48098-2815  
 U.S.A.  
 Tel: [1] 248.813.2334  
 Fax: [1] 248.813.2333