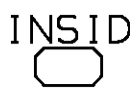
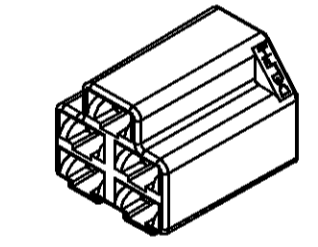
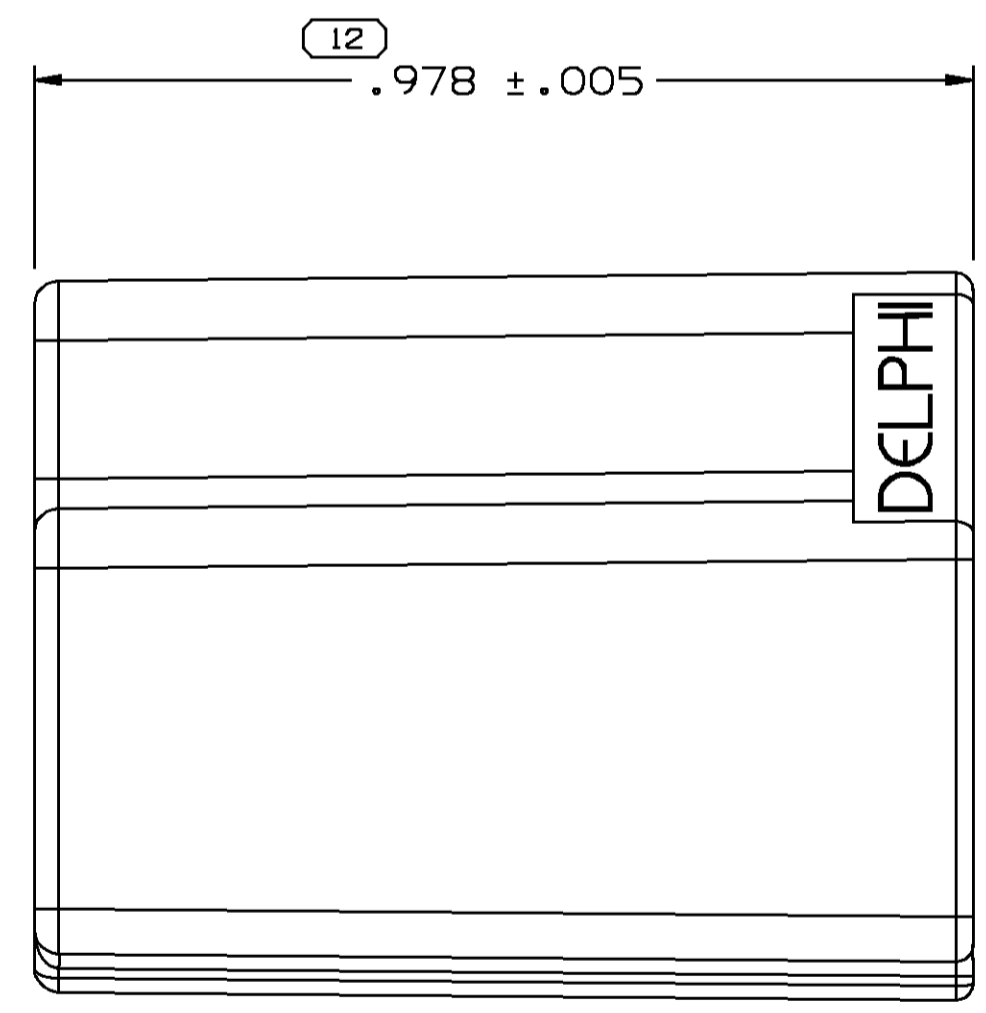
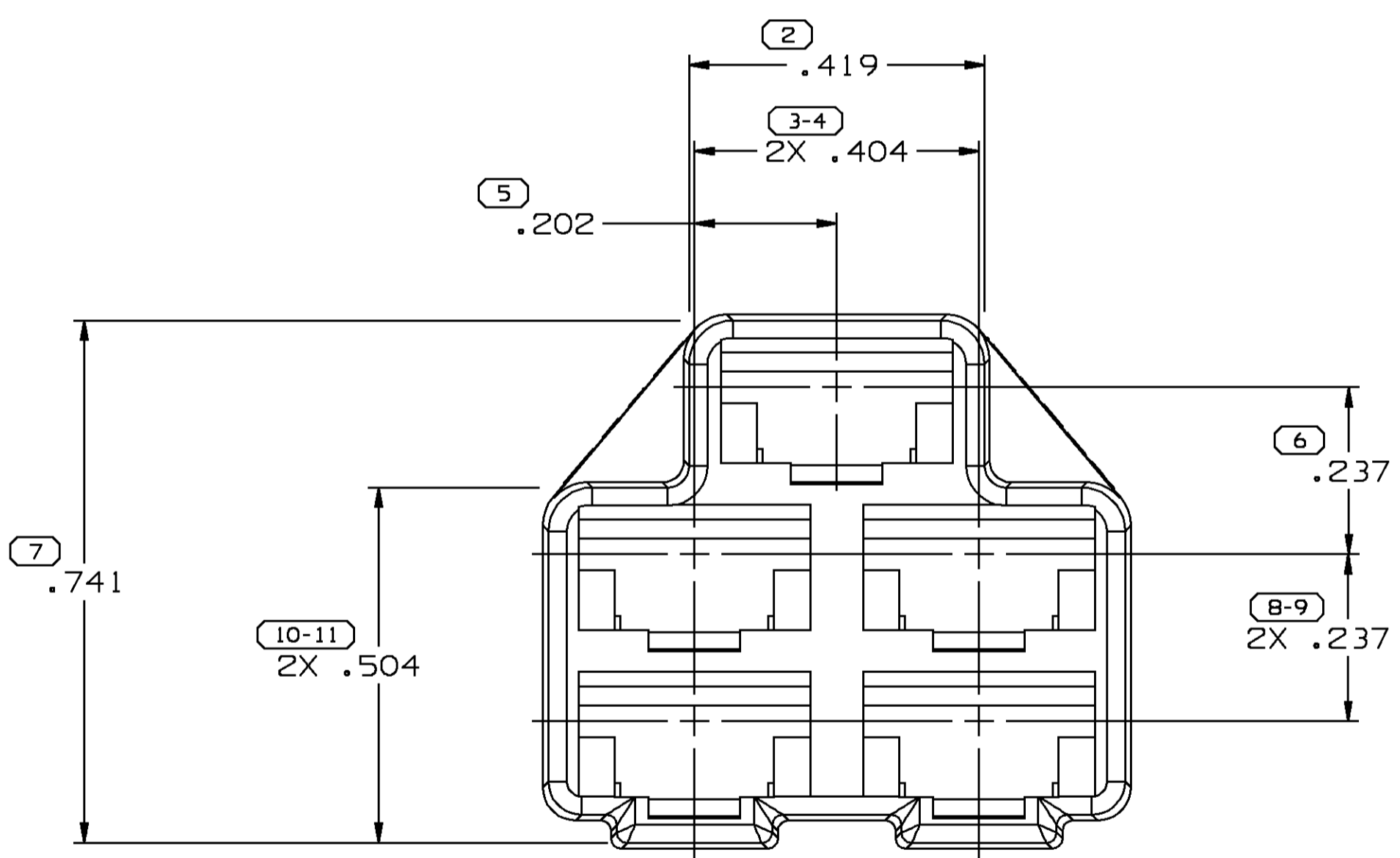
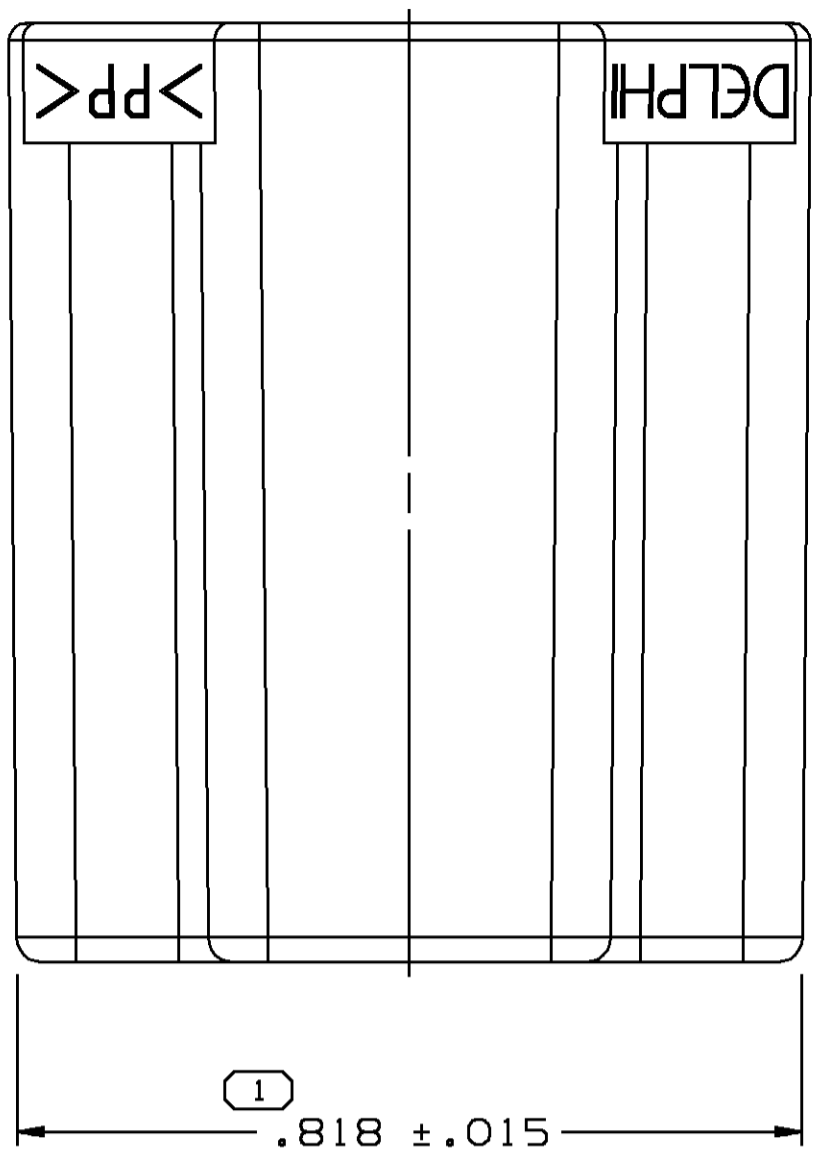
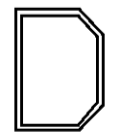


SYMBOL DEFINITION		MISSING NUMBERS	
THE NUMBER INSIDE THE SYMBOL  CORRESPONDS TO THE NUMBER ON THE INSPECTION REPORT FOR THIS DRAWING/PART NUMBER	TOTAL NO. OF SYMBOLS ON DRAWING	9	
	LAST NO. USED	12	

DWG STATUS				ZONE	REVISION HISTORY			AUTH	DR	CK	APVD	
DATE	STG	REV	CHG	N/P								
23N098	R	001	-	-		ALL PARTS - REDRAWN TO PD			980009	EAR	RCH	JA
23N098	R	002	-	-		ALL PARTS - UPDATED PDM ATTRIBUTES			191510	EAR	RCH	JA



NOTES
1. UNLESS OTHERWISE SPECIFIED AND/OR INDICATED: DIMENSIONS ARE TO FACE OF VIEW SHOWN AND AUTOMATICALLY ROUNDED BY COMPUTER FOR INSPECTION. (SEE MATH MODEL FOR PRECISE DIMENSIONS.) FOR ALL OTHER DIMENSIONS NOT SHOWN BUT REQUIRED FOR TOOL BUILD, SEE MATH MODEL FOR PRECISE TOOL PATH DATA.

DELPHI Automotive Systems		DIMENSIONAL RANGE (IN)																			
MATERIAL SPEC SEE CHART		FROM 0 TO .750 >.750 TO 1.250 >1.250 TO 2.750 >2.750 TO 4.000 TOLERANCE UNLESS OTHERWISE SPECIFIED: ±.005 ±.010 ±.012 ±.016 ±.020 ANGULAR TOLERANCE ± 2°																			
PART DRAWING																					
CODE NUMBER 6900	DWG DATE 20AP61	SCALE 5:1																			
QC SPEC -C-4055	STYLE	VOLUME In³ SEE DWG																			
PART GEOMETRY 3D SOLID		UNLESS OTHERWISE SPECIFIED: PERFECT FORM REQUIRED FOR FEATURES OF SIZE AT MMC. TRUE POSITION TOLERANCES AND RELATED DATUMS APPLY AT CONDITION OF SIZE INDICATED IN FEATURE CONTROL FRAME. ALL OTHER GEOMETRIC TOLERANCES AND RELATED DATUMS APPLY RFS. SEPARATE TRUE POSITION CALLOUTS MAY BE GAGED SEPARATELY, REGARDLESS OF DATUM REFERENCE.																			
COPY OF MATH DATA DO NOT SCALE		REFERENCE 001,701	<table border="1"> <thead> <tr> <th>DR</th> <th>L.SUVERISON</th> <th>DATE</th> </tr> </thead> <tbody> <tr> <td>APVD1</td> <td>KEARNS</td> <td>20MR61</td> </tr> <tr> <td>APVD2</td> <td>EDWARDS</td> <td>20MR61</td> </tr> <tr> <td>APVD3</td> <td></td> <td></td> </tr> <tr> <td>APVD4</td> <td></td> <td></td> </tr> <tr> <td>APVD5</td> <td></td> <td></td> </tr> </tbody> </table>	DR	L.SUVERISON	DATE	APVD1	KEARNS	20MR61	APVD2	EDWARDS	20MR61	APVD3			APVD4			APVD5		
DR	L.SUVERISON	DATE																			
APVD1	KEARNS	20MR61																			
APVD2	EDWARDS	20MR61																			
APVD3																					
APVD4																					
APVD5																					
ENGLISH UNLESS OTHERWISE SPECIFIED, ALL DIMENSIONS ARE IN INCHES		THIRD ANGLE PROJECTION																			
DRAWING NAME TAXI CONN 5F 56 SER		<table border="1"> <thead> <tr> <th>SHEET NUMBER</th> <th>DRAWING NUMBER</th> <th>DWG STATUS</th> <th>SIZE</th> </tr> <tr> <th></th> <th></th> <th>STG</th> <th>REV</th> <th>N/P</th> <th></th> </tr> </thead> <tbody> <tr> <td>1 OF 1</td> <td>02962894</td> <td>R</td> <td>002</td> <td>-</td> <td>A1</td> </tr> </tbody> </table>		SHEET NUMBER	DRAWING NUMBER	DWG STATUS	SIZE			STG	REV	N/P		1 OF 1	02962894	R	002	-	A1		
SHEET NUMBER	DRAWING NUMBER	DWG STATUS	SIZE																		
		STG	REV	N/P																	
1 OF 1	02962894	R	002	-	A1																

PART NO	STG	REV	N/P	STATUS	MATERIAL SPECIFICATION AND COLOR	VOL IN³	THE DIMENSION NUMBER(S) SHOWN BELOW INDICATE DIMENSIONS THAT ARE PROCESS SENSITIVE FOR PART PRODUCTION
02973422	R	E6	-	OBS	R0067557 PP-T40 RG-BLK	0.242	(7)
02965020	R	E6	-	OBS	R0067662 ABS RG-NAT	0.242	