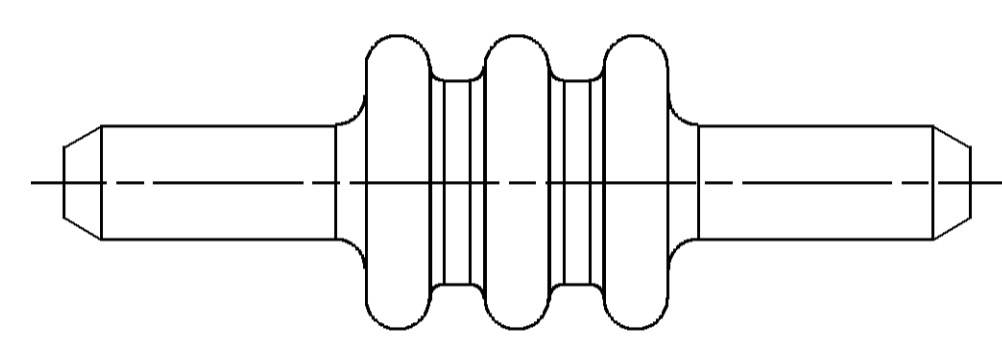
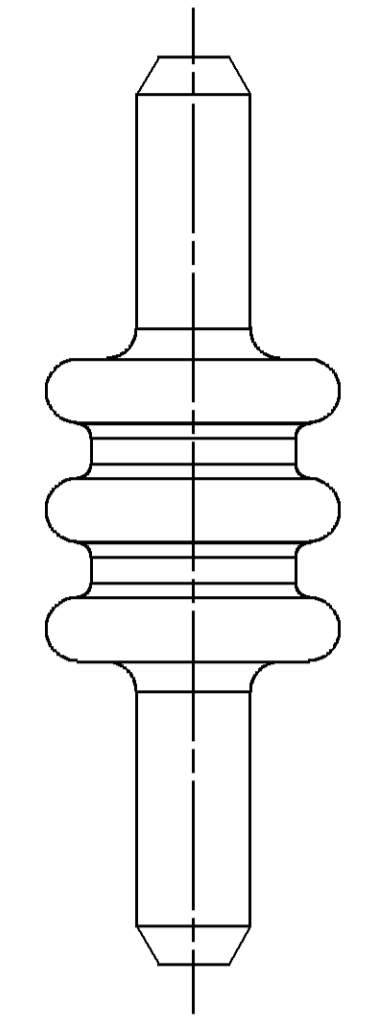
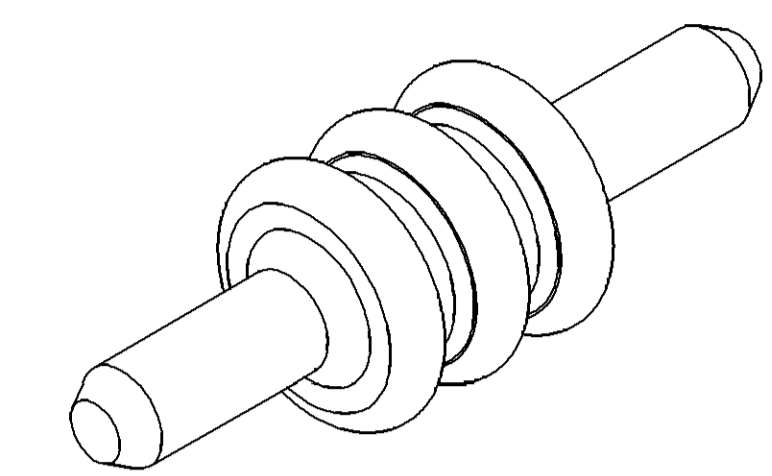
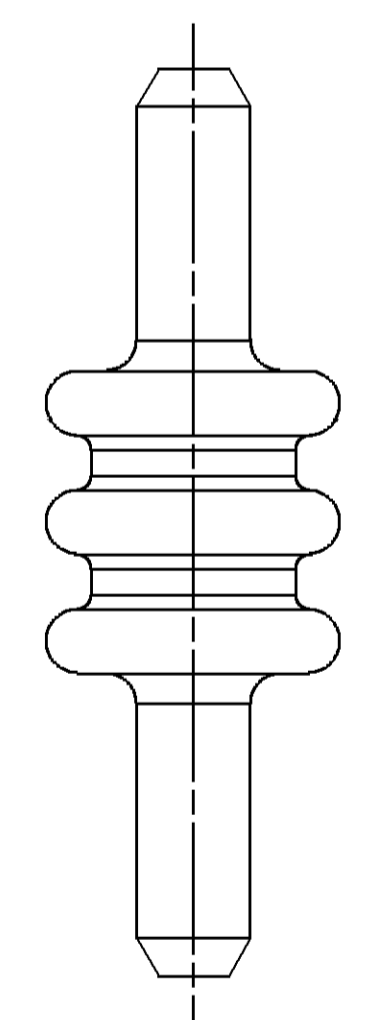
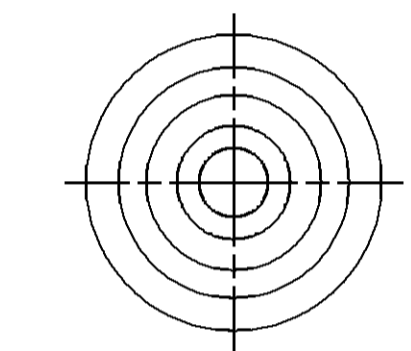
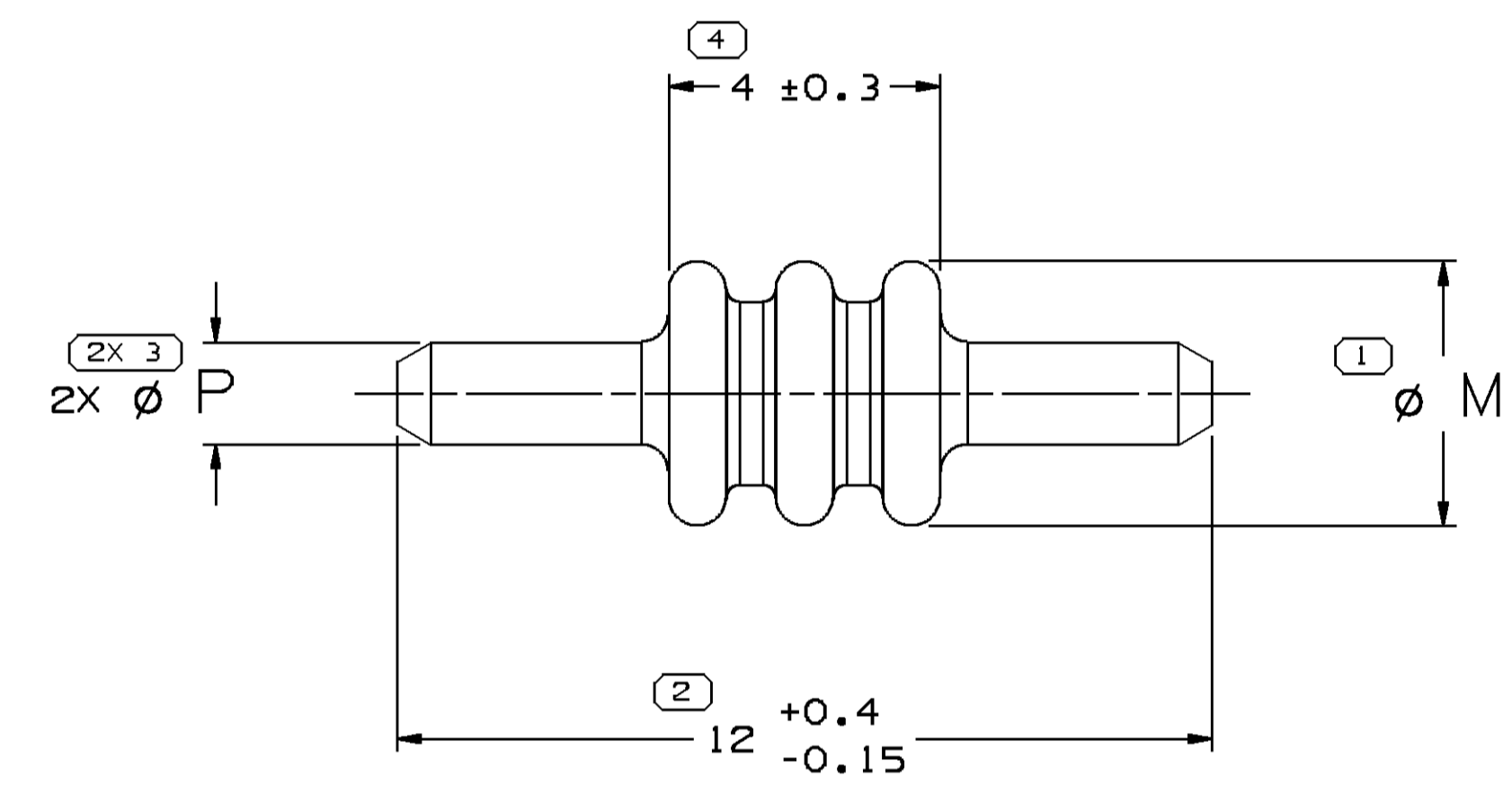
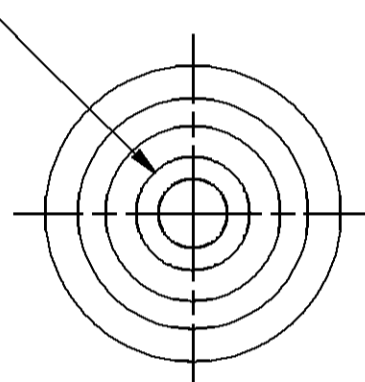


SYMBOL DEFINITION		MISSING SYMBOLS	
A DIMENSION WITHOUT AN INSPECTION REPORT SYMBOL DOES NOT REQUIRE INSPECTION. IT MAY BE CONTROLLED ON THE INDIVIDUAL COMPONENT DRAWING.	TOTAL NO OF INSPECTIONS REQUIRED	NO MISSING SYMBOL NUMBER	
	LAST NO. USED		
	9		
	8		

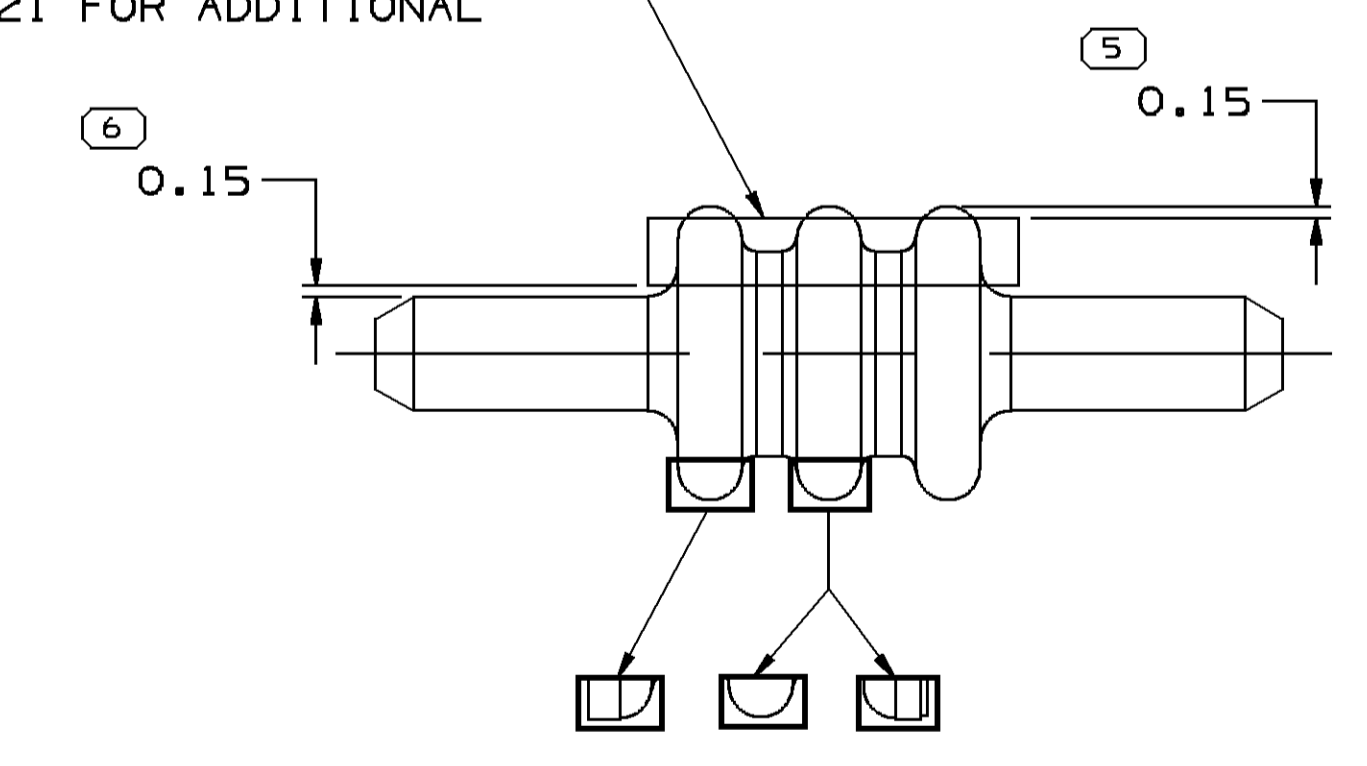
DWS STATUS						REVISION HISTORY				AUTH	DR	APVD	APV2
DATE	STG	REV	N/P	CHG	ZONE								
17AU00	R	01	-	-		REDRAWN TO PD				000009	JLZ	OMC	JR
01AP03	R	02	-	-		15305170 - UPDATED PDM ATTRIBUTES				238352	LEG	GEG	JR
04MY04	R	03	-	-		15305170, 15305171, 15305172 - REVISED PER NIN EMO BOLTS ALL PARTS - UPDATED DIMS AND ADDED OPTIIONAL CONSTRUCTION				254602	CTR	FRG	PRM
15JL04	R	04	-	-		15305169 - UPDATED PDM ATTRIBUTES				256854	LMB	LMB	MR
080C04	R	05	-	-		ALL PARTS - DIM 12 +0.2/-0.15 WAS 12, ADDED ALTERNATE MAT'L SPEC COLUMN: 15305170 - CANCELLED REV 02				259649	OPS	JVM	MFR
24JL06	R	06	-	-		15305171 - UPDATED PDM ATTRIBUTES				282787	JBD	AUG	EJM
09MR10	R	07	-	-		ALL PARTS - ADDED "SEALING RIBS..." VIEW DIM 12 +0.4/-0.15 WAS 12 +0.2/-0.15 AND 15305170 - UPDATED MAT'L CALLOUT				410192	JRL	JRL	MFP



(B) CAVITY ID TO BE LOCATED ON THIS SURFACE (0.8) X (0.1) RAISED LETTERS



(7) SEALING RIBS MUST BE FREE OF SINKS, VOIDS, KNIT LINES AND FLASH, IN THE AREA SHOWN ALL AROUND PART. SEE VPS A-121 FOR ADDITIONAL INFORMATION



SEALING RIBS MAY DIFFER AS SHOWN

NOTES

- UNLESS OTHERWISE SPECIFIED AND/OR INDICATED: DIMENSIONS ARE TO FACE OF VIEW SHOWN AND AUTOMATICALLY ROUNDED BY COMPUTER FOR INSPECTION (SEE MATH MODEL FOR PRECISE DIMENSIONS); FOR ALL OTHER DIMENSIONS NOT SHOWN BUT REQUIRED FOR TOOL BUILD, SEE MATH MODEL FOR PRECISE TOOL PATH DATA.
- SEALING RIBS ARE IDENTICAL, EXCEPT AS SHOWN.
- THIS PART IS NOT CONTROLLED FOR AUTOMATIC FEEDING.
- THIS PRODUCT IS NOT CATEGORIZED AS AN APPEARANCE ITEM, MINOR IMPERFECTIONS INCLUDING, BUT NOT LIMITED TO, FLOW MARKS, COLOR BLEMISHES, GATE VESTIGE, AND SOFT FLASH THAT DO NOT AFFECT THE FIT, FORM, OR FUNCTION OF THE PART ARE PERMISSIBLE PER DPNP-4.7-CS-01.

PART NO	REV	N/P	STATUS	MAT'L	ALTERNATE MAT'L	COLOR	TYPE	M	P	CAVITY ID	VOLUME
15305172	02	AB	-	SILICONE - METHYL/VINYL	SILICONE - METHYL/VINYL	TAN	GT 280	5.75	2.5	5.2	0.116
15305171	02	AC	-	SILICONE - METHYL/VINYL	SILICONE - METHYL/VINYL	GRN	GT 150	4.5	1.5	4	0.058
15305170	A5	-	-	SILICONE - METHYL/VINYL	SILICONE - METHYL/VINYL	WHT	GT 280	6.35	3.1	5.8	0.156
15305169	01	A0	-	SILICONE - METHYL/VINYL	-	ORN	GT 150 MINI	3.9	1.5	3.2 ± 0.3 X 4 OVAL	0.050

DWS TYPE		PART DRAWING	
STYLE	SEE CHART	DISTR CODE	D
VOLUME (Q/P)			
UNLESS OTHERWISE SPECIFIED			
THIS DOCUMENT IS IN ACCORDANCE WITH ASME Y14.5M-1994 AS MODIFIED BY THE 2003 DIMENSIONING AND TOLERANCING ADDENDUM - 1997. ALL GEOMETRIC TOLERANCES AND RELATED DATUMS APPLY UNLESS OTHERWISE SPECIFIED. MFC DOES NOT APPLY WHEN RELATIONSHIP BETWEEN FEATURES IS ESTABLISHED BY ORIENTATION OR LOCATION TOLERANCES. SEPARATE POSITION CALLOUTS MAY BE SHOWN SEPARATELY, IRRESPECTIVE OF DATUM REFERENCE. ALL DIMENSIONS ARE IN MILLIMETERS.			
THIRD ANGLE PROJECTION	DO NOT SCALE	USE MATH DATA	

DELPHI
DELPHI PACKARD ELECTRICAL/ELECTRONIC ARCHITECTURE
WARREN, OH

DR	DATE
APV01 J. CANO	16MY96
APV02 R. PINA	16MY96
APV03 C. WATKINS	06JN96
APV04	
APV05	

SUBSTANCES OF CONCERN AND RECYCLED CONTENT PER DELPHI (0944900)

MATERIAL SEE CHART

DRAWING NAME
TAXI SEAL CBL 1W CAVITY PLUG

DRAWING NUMBER
12124630

SIZE	SCALE	FRAME NO	SHEET NO	REV	N/P
A0	10:1	1	2 OF	R	07