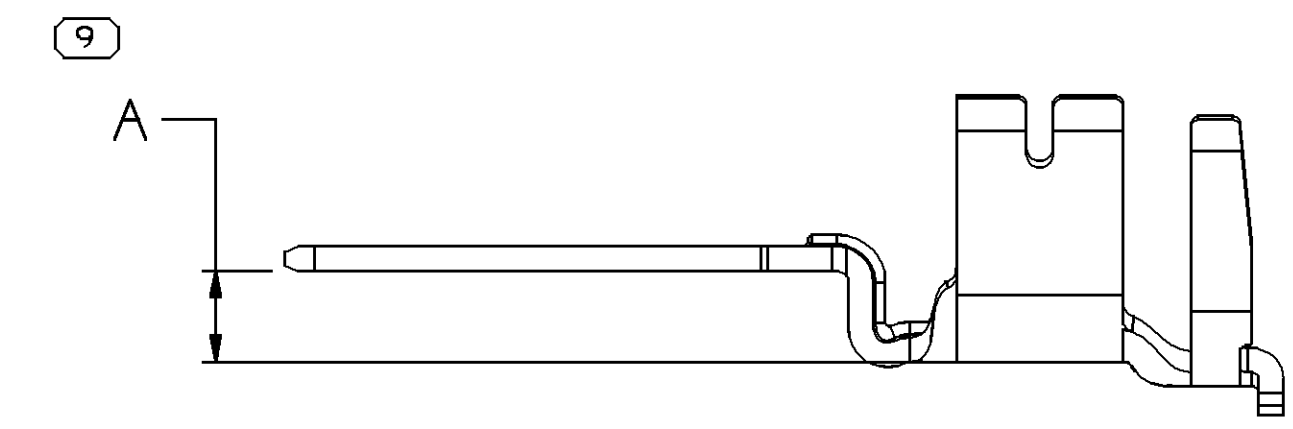
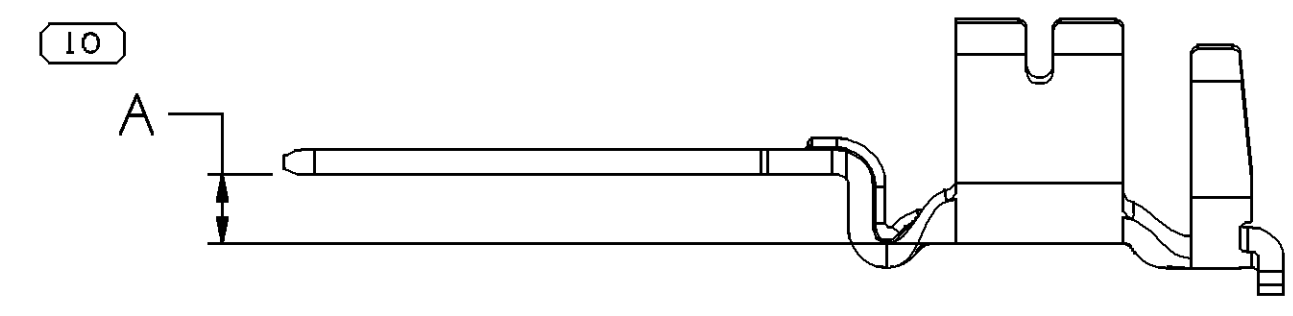


SYMBOL DEFINITION		MISSING SYMBOLS	
A DIMENSION WITHOUT AN INSPECTION REPORT SYMBOL () DOES NOT REQUIRE INSPECTION. IT MAY BE CONTROLLED ON THE INDIVIDUAL COMPONENT DRAWING.	TOTAL NO OF INSPECTIONS REQUIRED	14	11
	LAST NO. USED	12	

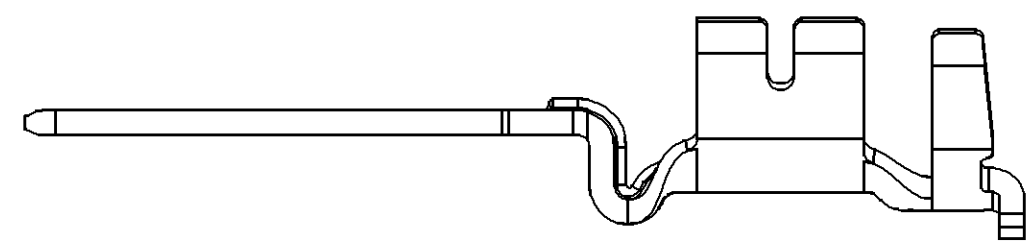
DWG STATUS				REVISION HISTORY				AUTH		DR		APVD	
DATE	STG	REV	N/P	CHG	ZONE								
04MR05	R	01	-			13523158 WAS PE095351 AND RELEASED		264996	BRB	BRB	GD		
						13523157 WAS PE095352 AND RELEASED							
						13523156 WAS PE095353 AND RELEASED							
						13520914 WAS PE095354 AND RELEASED							
09AU05	R	02	-	-		ALL PARTS - MAT'L SPEC WAS M4543B23		271166	LMB	LMB	GD		
29NO07	R	03	-	-		ADDED VIEW TYPES 102,103,AND 104		403013	MM	MM	RAB		
13DE07	R	04	-	-		ALL PARTS - UPDATED PDM ATTRIBUTES		403282	WHC	WHC	RAB		
04JA08	R	05	-	-		ALL PARTS - B2 TOL +0.45/-0.4 WAS +-0.4 REMOVED DIM 11 ON TYPE 104		403307	WHC	WHC	RAB		
04JA08	R	06	-	-		ALL PARTS- MOVED DIM 9,10,12 TO CHART "A"		403402	WHC	WHC	RAB		



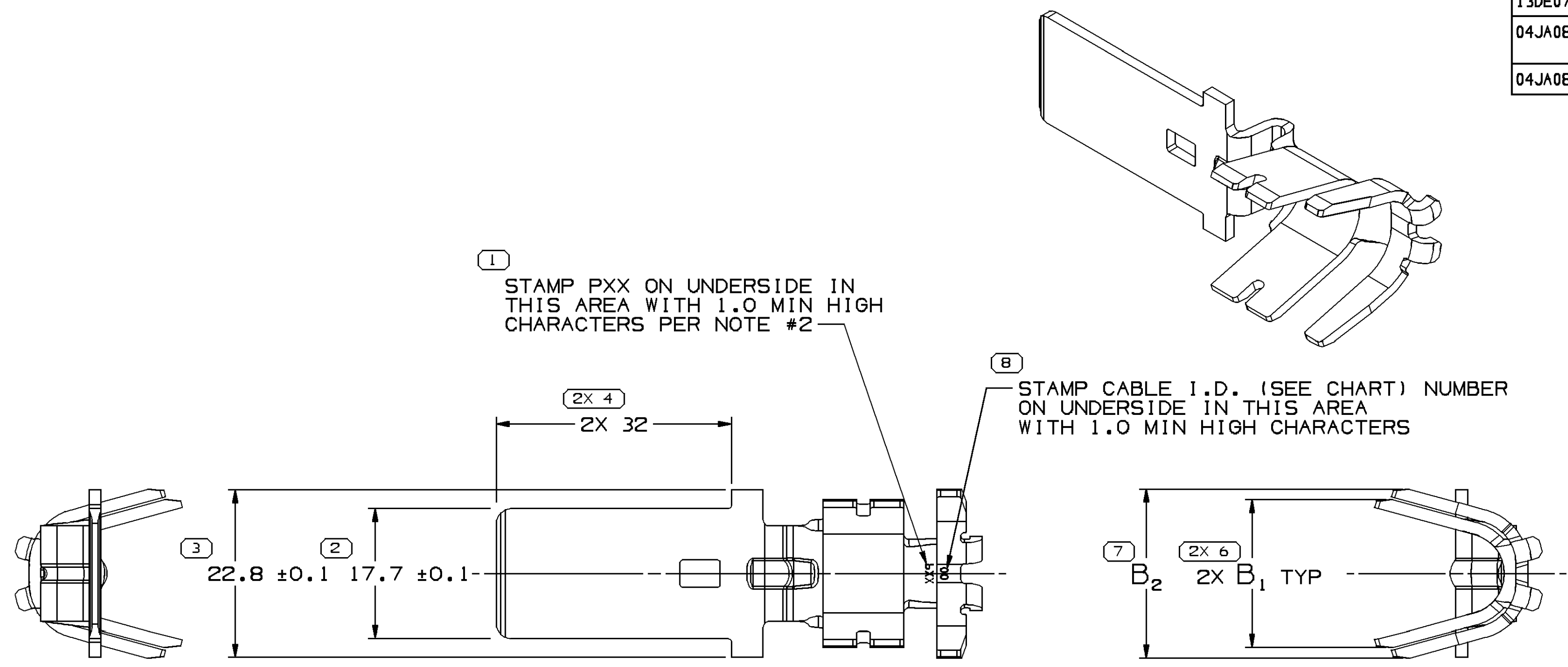
TYPE 102



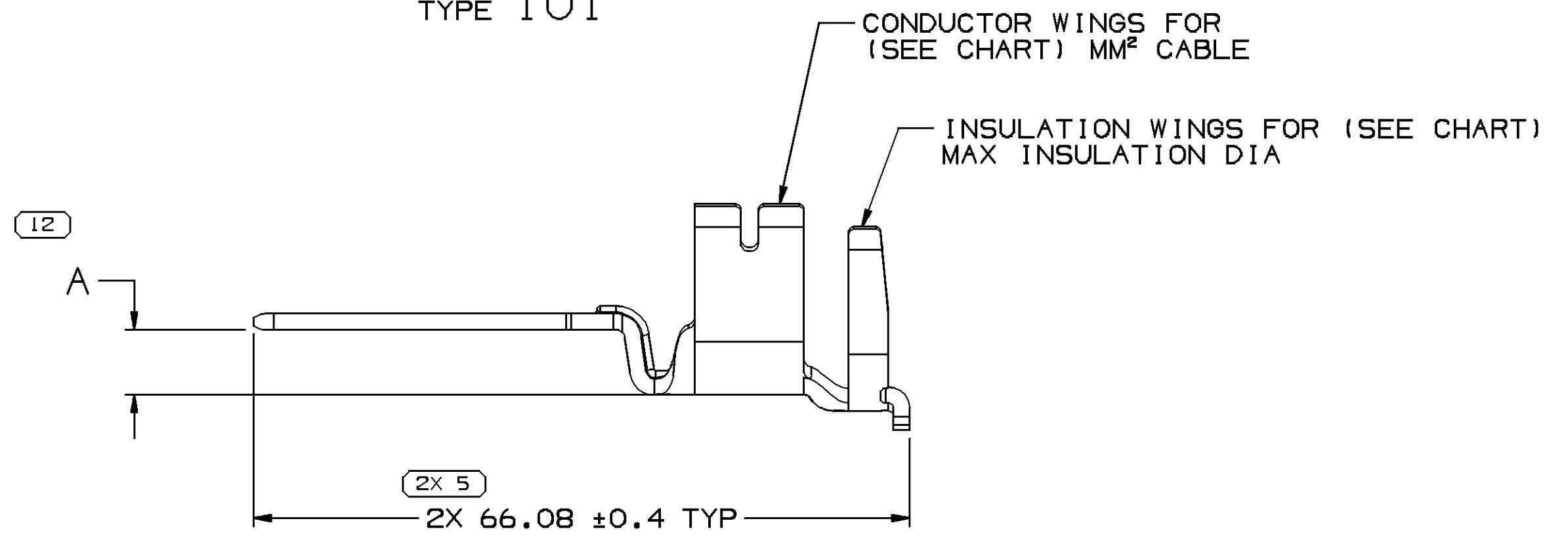
TYPE 103



TYPE 104



TYPE 101



- NOTES
- UNLESS OTHERWISE SPECIFIED AND/OR INDICATED:
DIMENSIONS ARE TO FACE OF VIEW SHOWN AND AUTOMATICALLY ROUNDED BY COMPUTER FOR INSPECTION (SEE MATH MODEL FOR PRECISE DIMENSIONS). FOR ALL OTHER DIMENSIONS NOT SHOWN BUT REQUIRED FOR TOOL BUILD, SEE MATH MODEL FOR PRECISE TOOL PATH DATA.
 - "PXX" INDICATES "P" PLUS LAST TWO DIGITS OF MAKE DIE SERIES NUMBER (PO1, PO2, PO3, ETC).
 - VISUAL CRACKS ARE NOT PERMISSIBLE
 - REFERENCE MATING COMPONENTS OR EQUIVALENT:
TERMINAL ASSEMBLY 13520912
 - THIS PART ACCEPTS THE FOLLOWING COMPONENTS OR EQUIVALENT:
MALE CONNECTOR 13520909
 - CABLE INSULATION FOR 64mm² TO 32mm² HAS 1.5 ±0.2mm THICKNESS AND 19mm² HAS 1.1 ±0.2mm² THICKNESS.

PART NO	REV	N/P	TYPE	MAT'L SIZE	MAT'L SPEC	SIZE (mm ²)	ID	DIAMETER	A	B ₁	B ₂
13523158	01	AC	101	1.63 X (71.23)	M4543C18 C15100 1/2 HD	62	00	14.71 ±0.41	6.57	20.1	23
13523157	01	AC	102	1.63 X (71.23)	M4543C18 C15100 1/2 HD	40 TO 50	0	13.61 ±0.41	6.02	17.4	21.1
13523156	01	AC	103	1.63 X (71.23)	M4543C18 C15100 1/2 HD	32	2	10.75 ±0.41	4.59	15	18.6
13520914	01	AC	104	1.63 X (71.23)	M4543C18 C15100 1/2 HD	13 TO 19	5	8.43 ±0.41		12.3	15.9
									±0.15	±0.4	±0.45/-0.4

2 PROCESS SENSITIVE DIMENSION	
DIMENSIONS ENCLOSED IN () INDICATE REFERENCE DIMENSIONS AND NO TOLERANCE LIMITS ARE ESTABLISHED	
DIMENSIONAL RANGE (MM)	CHART D
FROM 0	> 12
TO 12	
TOLERANCE UNLESS OTHERWISE SPECIFIED	
±0.1	±0.2
ANGULAR TOLERANCE ±2°	

DWG TYPE PART DRAWING	
STYLE	
VOLUME (C/P)	DISTR CODE D
UNLESS OTHERWISE SPECIFIED THIS DOCUMENT IS IN ACCORDANCE WITH ASME Y14.5M-1994 AS AMENDED BY THE 0M GLOBAL DIMENSIONING AND TOLERANCING ADDENDUM-2001. SEPARATE PATTERNS OF FEATURES MAY BE GAGED SEPARATELY REGARDLESS OF DATUM REFERENCES.	
ALL DIMENSIONS ARE IN MILLIMETERS	
REFERENCE	
THIRD ANGLE PROJECTION	DO NOT SCALE USE MATH DATA

DELPHI
DELPHI PACKARD ELECTRICAL/ELECTRONIC ARCHITECTURE
WARREN, OH

DR	DATE
APVD1 BARRY BURNS	04MR05
APVD2 BARRY BURNS	04MR05
APVD3 GARY DETTER	07MR05
APVD4	
APVD5	

SUBSTANCES OF CONCERN AND RECYCLED CONTENT PER DELPHI-A 10949001

MATERIAL SEE CHART

DRAWING NAME TAXI TERM M PWR PACK 2000

DRAWING NUMBER 13523159

SIZE A1	SCALE 2:1	FRAME NO 1 OF 1	SHEET NO 1 OF 1	STG R	REV 06	N/P -
---------	-----------	-----------------	-----------------	-------	--------	-------