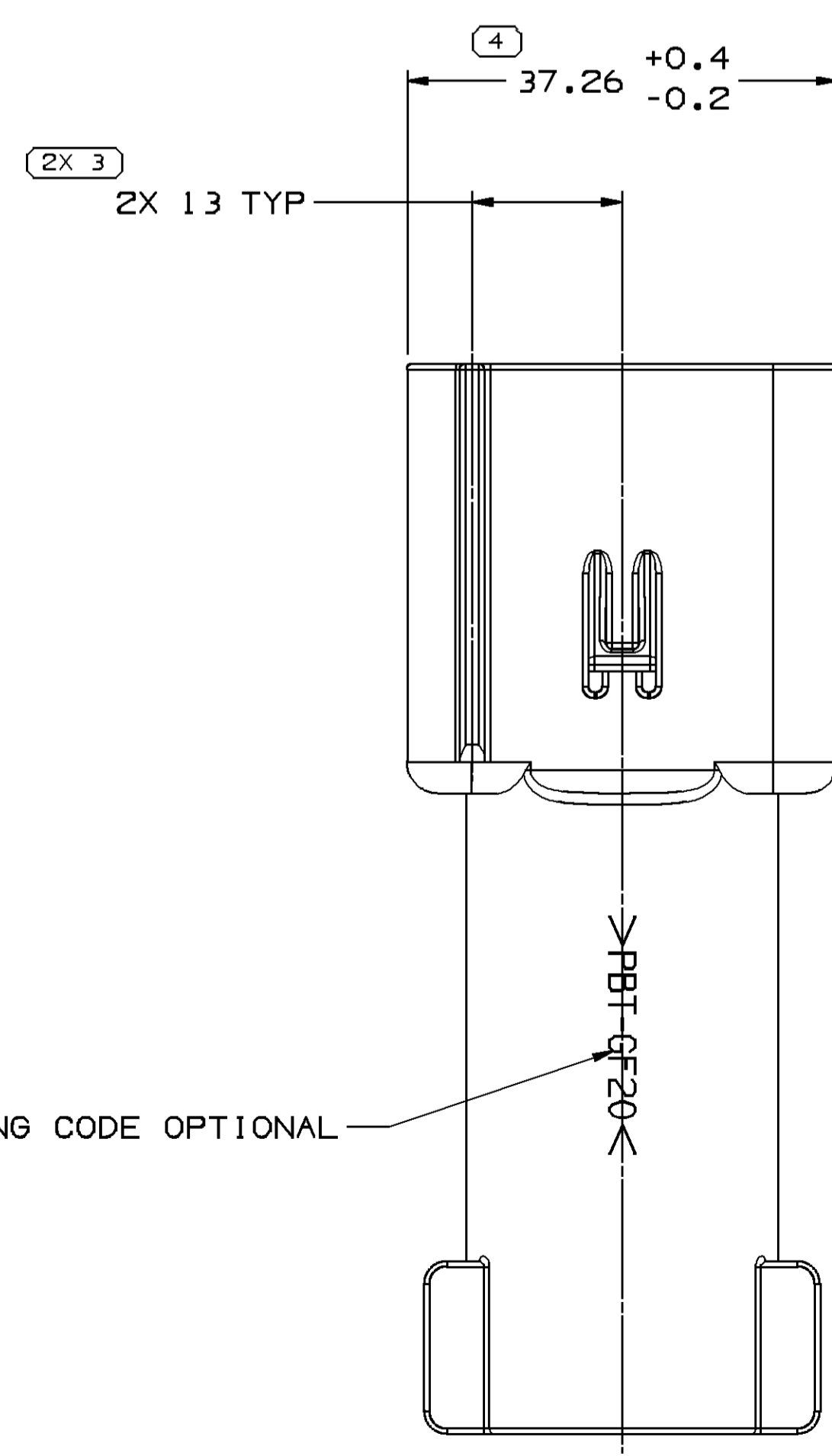
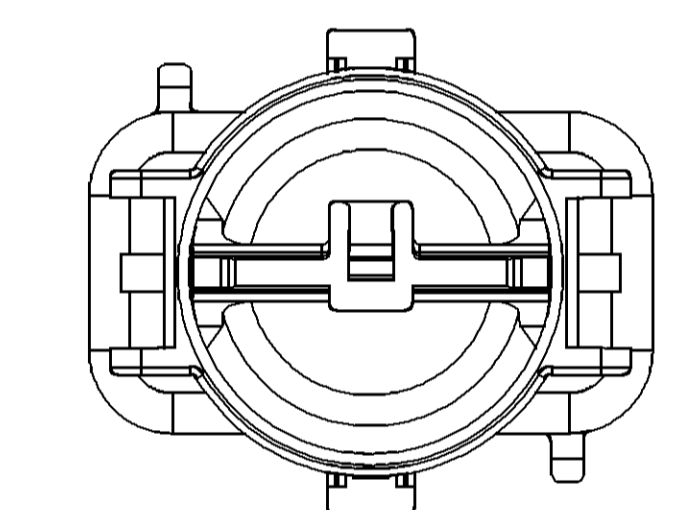
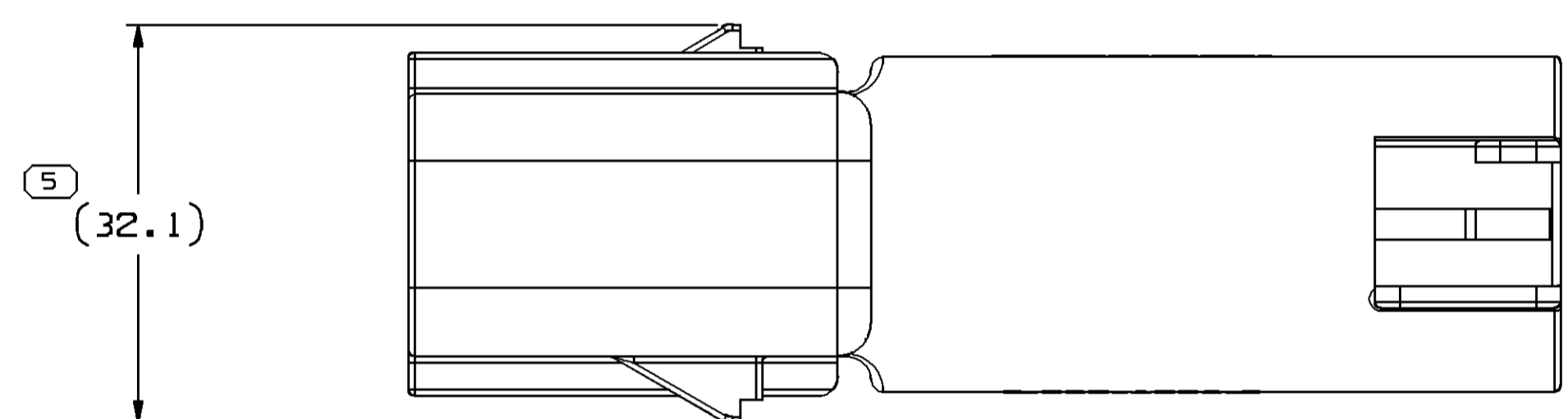
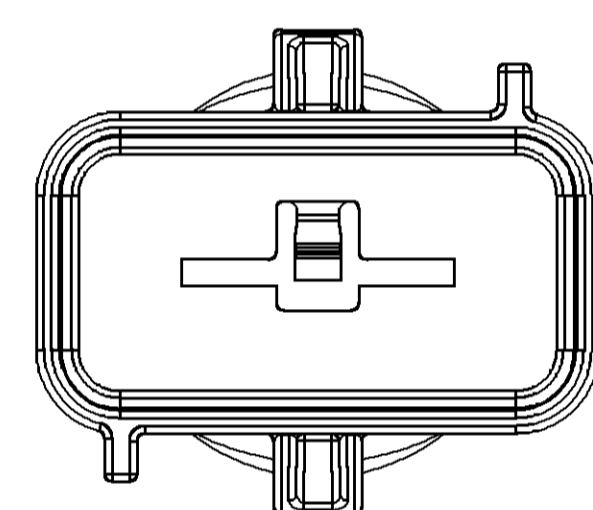
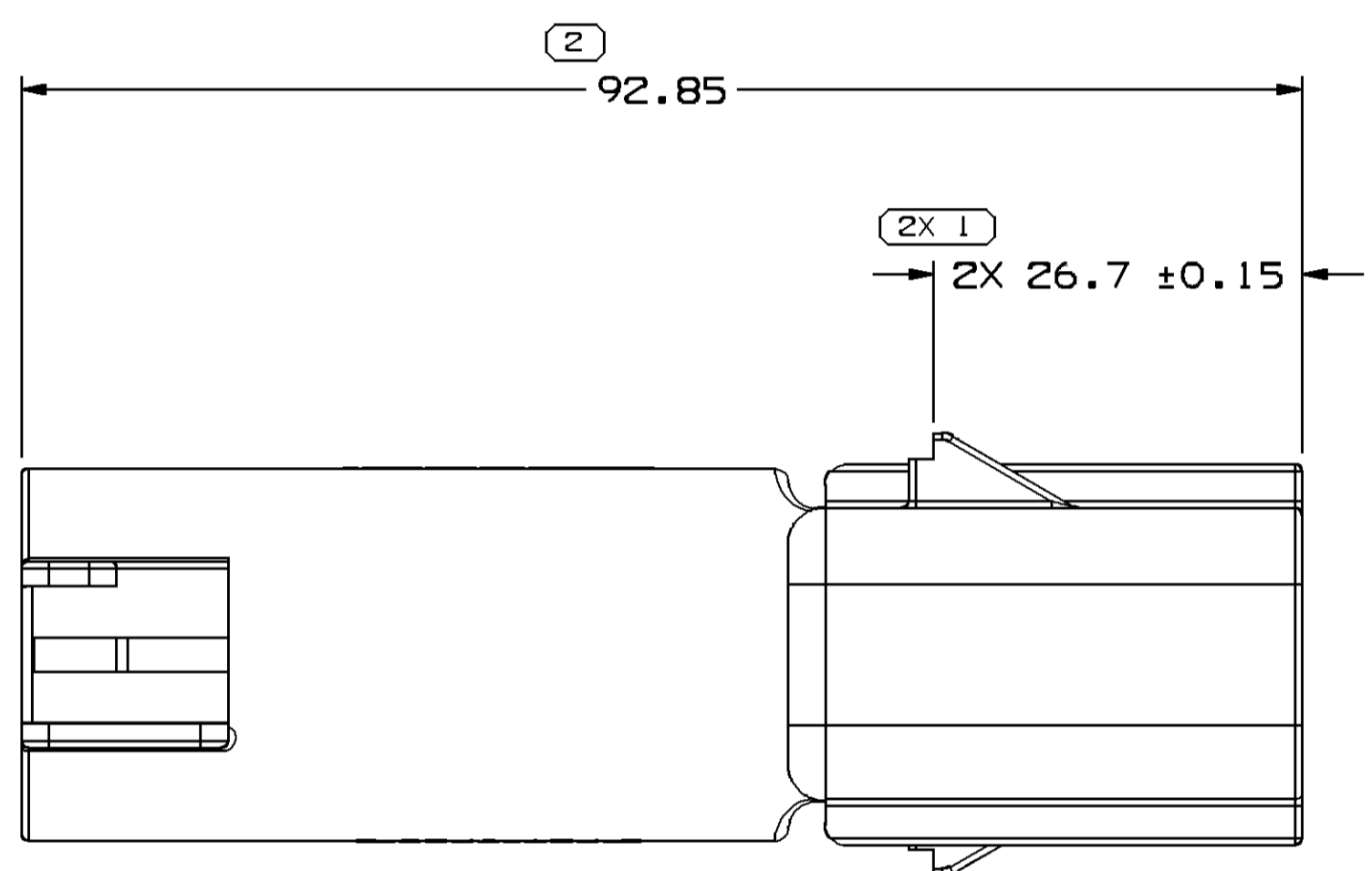
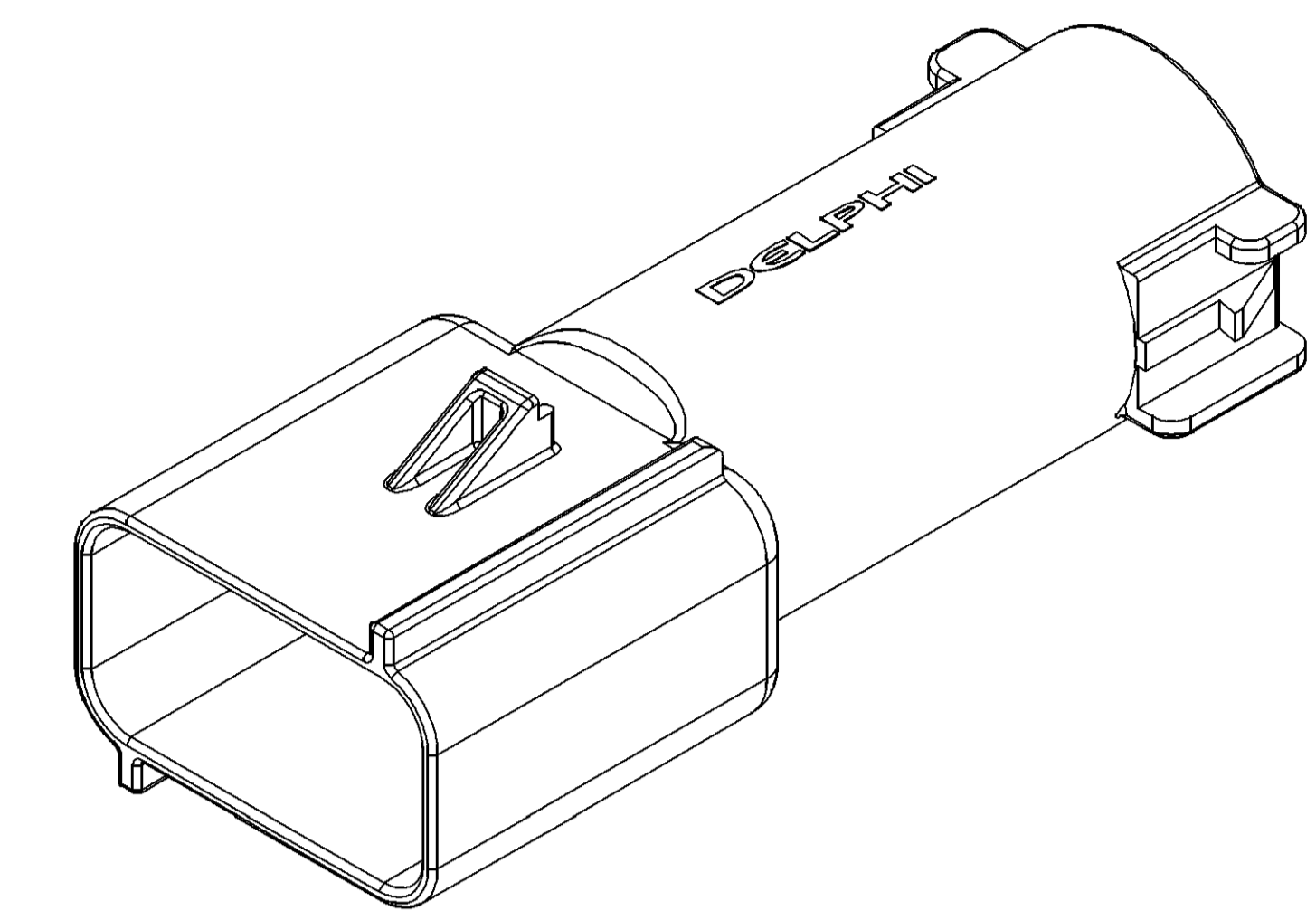
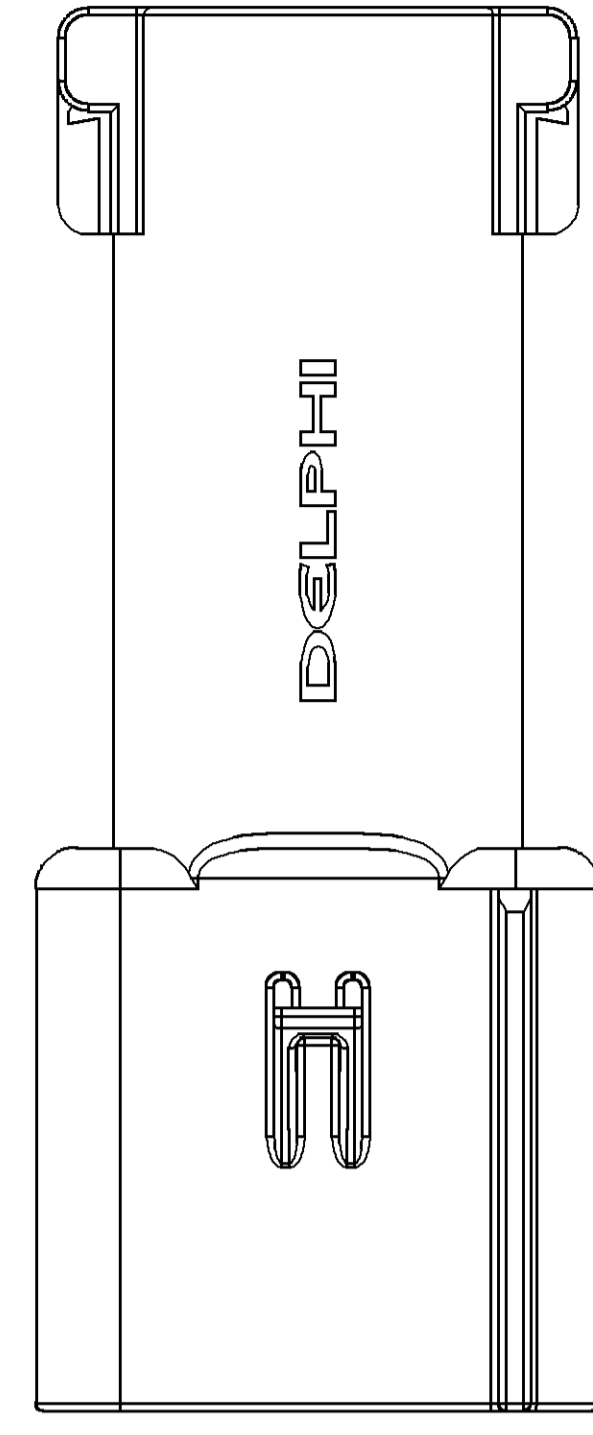


SYMBOL DEFINITION		TOTAL NO OF INSPECTIONS REQUIRED	MISSING SYMBOLS
A DIMENSION WITHOUT AN INSPECTION REPORT SYMBOL DOES NOT REQUIRE INSPECTION. IT MAY BE CONTROLLED ON THE INDIVIDUAL COMPONENT DRAWING.		7	NO MISSING SYMBOL NUMBER
		LAST NO. USED	5

DWS STATUS				ZONE		REVISION HISTORY			AUTH	DR	APVD	
DATE	STG	REV	IN/P	CHG								
04MR05	R	01	-	-				WAS PE133027 AND RELEASED	264996	BRB	BRB	GD
13JUL05	R	01	AA	-				UPDATED PDM ATTRIBUTES	270014	TAI	TAI	GD
05AUG05	R	01	AB	-				37.26+0.4/-0.2 WAS 37.26#0.2	271088	JS	JS	GD
19AP06	R	01	AC	-				ADDED NOTE #6	279620	RH	RH	GD
20AUG09	R	01	AD	-				REMOVED CONNECTOR ENGAGE FORCE. PART ACCEPTS & REFERENCE MATING COMPONENT NOTES AND ADDED APPLICATION DATA NOTE	408704	TBR	BLG	JFZ



**NOTES**

- UNLESS OTHERWISE SPECIFIED AND/OR INDICATED:  
DIMENSIONS ARE TO FACE OF VIEW SHOWN AND AUTOMATICALLY ROUNDED BY COMPUTER FOR INSPECTION (SEE MATH MODEL FOR PRECISE DIMENSIONS). FOR ALL OTHER DIMENSIONS NOT SHOWN BUT REQUIRED FOR TOOL BUILD, SEE MATH MODEL FOR PRECISE TOOL PATH DATA.
- MATERIAL RECYCLING CODE PER ISO 11469. (2.3)X(0.05) CHARACTERS AS SHOWN TO BE LOCATED ON ANY EXTERIOR SURFACE.
- THIS PRODUCT IS NOT CATEGORIZED AS AN APPEARANCE ITEM, MINOR IMPERFECTIONS INCLUDING, BUT NOT LIMITED TO, FLOW MARKS, COLOR BLEMISHES, GATE VESTIGE, AND SOFT FLASH THAT DO NOT AFFECT THE FIT, FORM, OR FUNCTION OF THE PART ARE PERMISSIBLE PER DPNP-4.7-CS-01.
- (2.3)X(0.05) DELPHI CORPORATE BRAND TO BE LOCATED ON ANY EXTERIOR SURFACE, PREFERABLY VISIBLE AT FINAL ASSEMBLY. OPTIONAL CONSTRUCTION FOR EXISTING TOOLING MAY BE "PED".
- FOR APPLICATION DATA SEE THE APPLICATION DRAWING.

DIMENSIONAL RANGE (MM)		CHART E1	
FROM	TO	>	±
0	30	0.15	0.2
30	70	0.2	0.3
70	100	0.3	0.4
100	150	0.4	0.5
150	200	0.5	0.6
200	250	0.6	0.8
250	300	0.8	1.0
300	400	1.0	1.2

**DELPHI**  
DELPHI PACKARD ELECTRICAL/ELECTRONIC ARCHITECTURE  
WARREN, OH

DRG TYPE	PART DRAWING					
VOLUME (OMP)	21.46B					
DISTR CODE	D					
DR	DATE					
APV01	BARRY BURNS	04MR05				
APV02	BARRY BURNS	04MR05				
APV03	GARY DETTER	07MR05				
APV04						
APV05						
SUBSTANCES OF CONCERN AND RECYCLED CONTENT PER DELPHI 10949901						
MATERIAL: POLYESTER COMPOUND BLACK						
DRAWING NAME: CONN 1 M PWR PACK 2000 SLD						
DRAWING NUMBER: 13520909						
SIZE: A0	SCALE: 2:1	FRAME NO: 1 OF 1	SHEET NO: 1 OF 1	STG: R	REV: 01	IN/P: AD