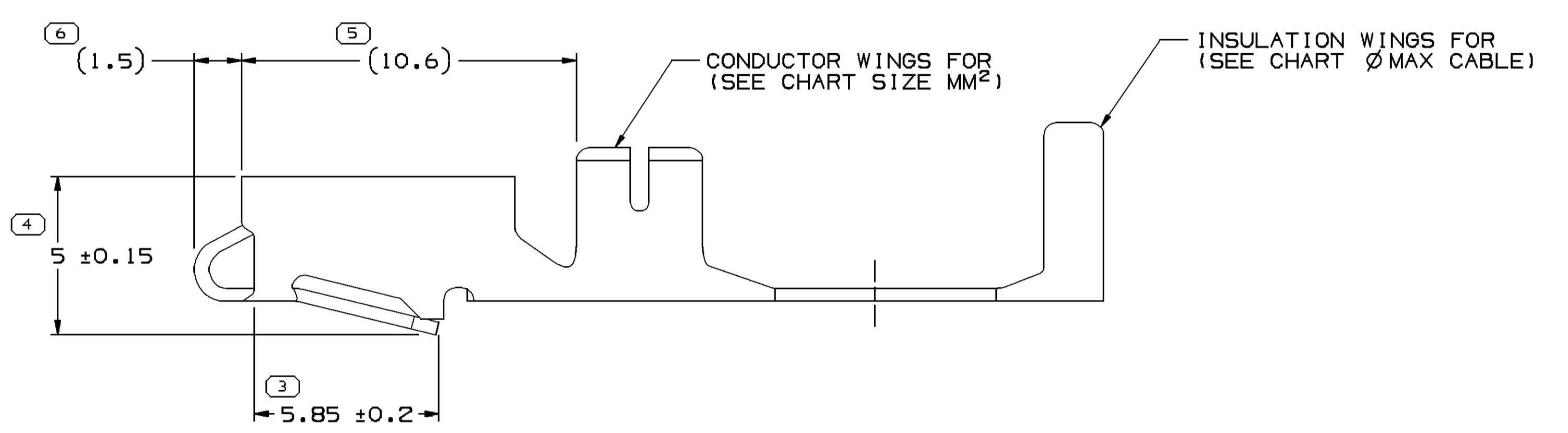
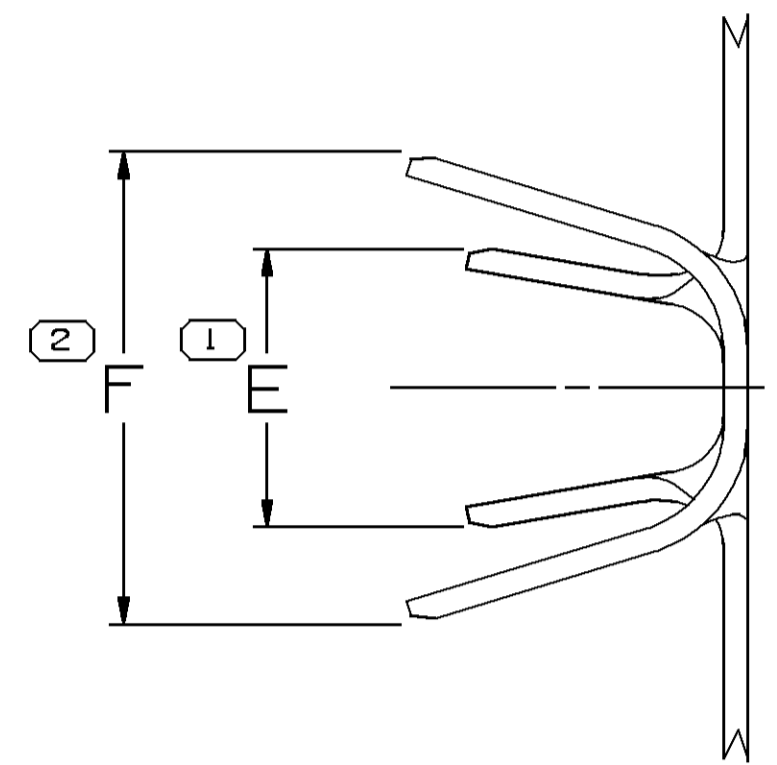
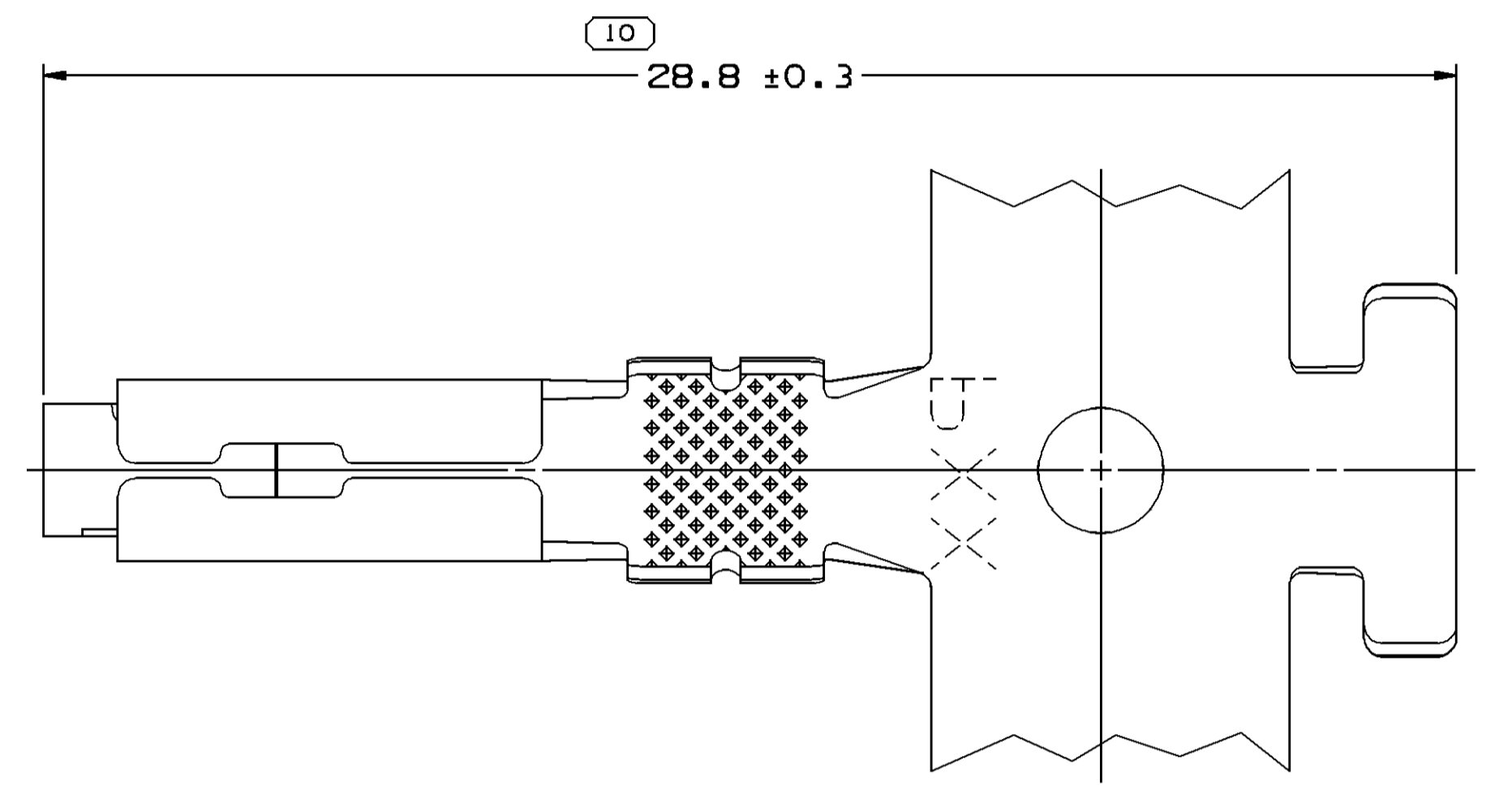
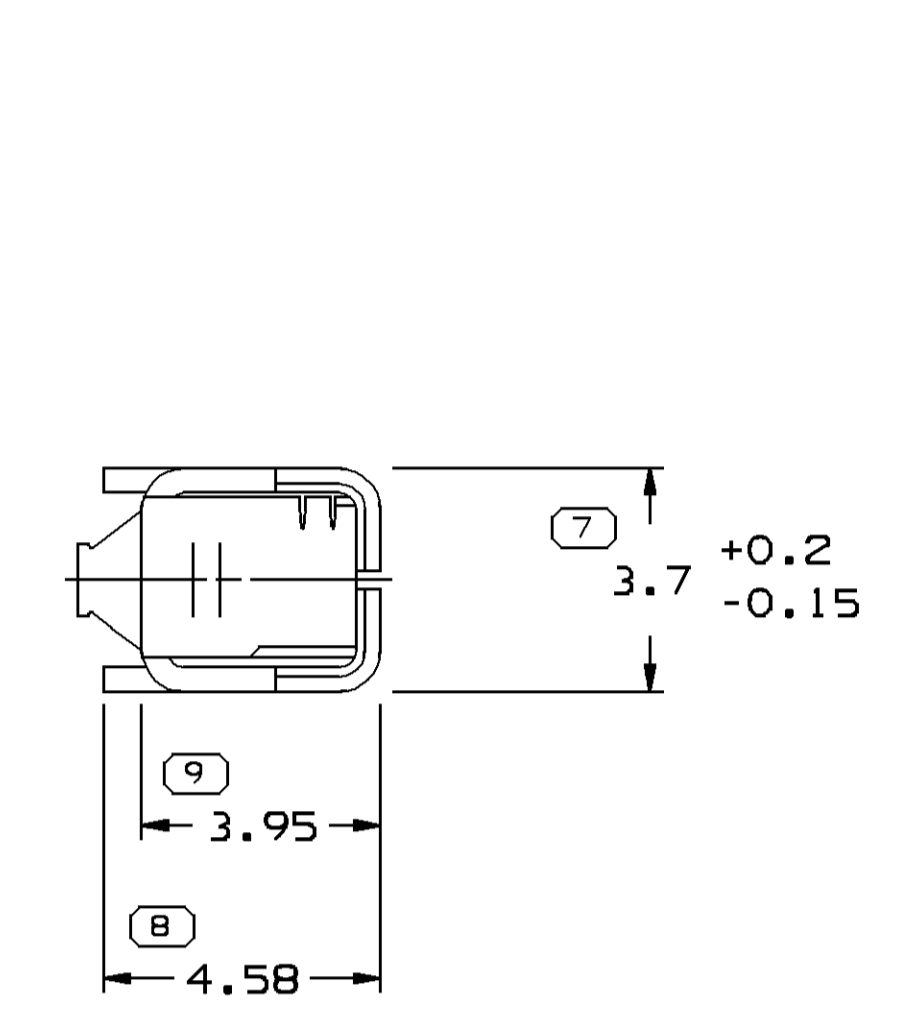
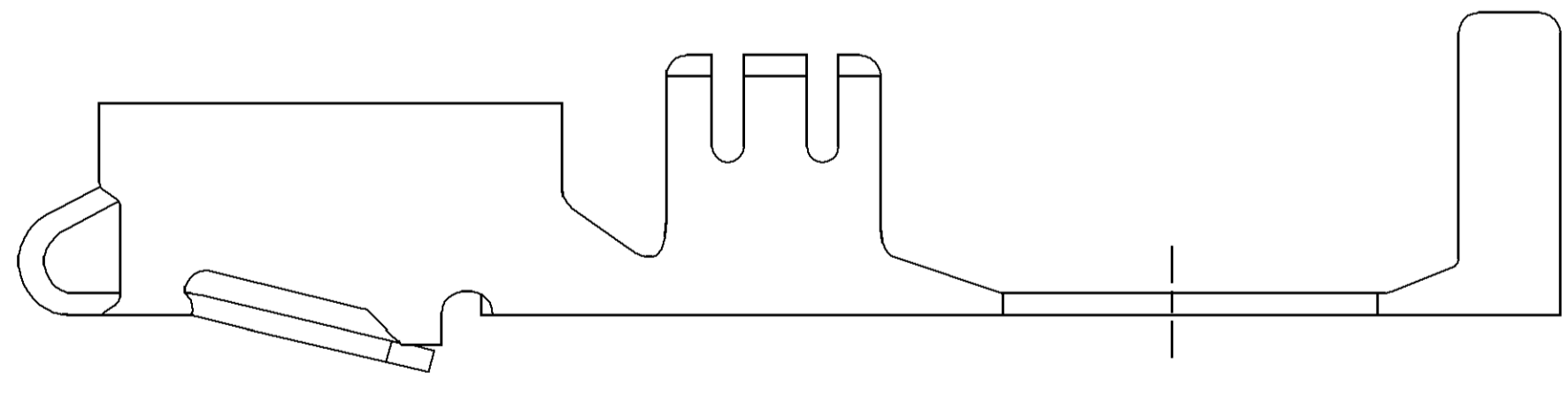


SYMBOL DEFINITION		TOTAL NO OF INSPECTIONS REQUIRED	MISSING SYMBOLS
A DIMENSION WITHOUT AN INSPECTION REPORT SYMBOL DOES NOT REQUIRE INSPECTION. IT MAY BE CONTROLLED ON THE INDIVIDUAL COMPONENT DRAWING.		10	NO MISSING SYMBOL NUMBER
		LAST NO. USED	10

DWG STATUS				REVISION HISTORY				AUTH	
DATE	STG	REV	N/P	CHK	ZONE				
23JUL99	R	01	-	-		ALL PARTS - REDRAWN TO PD			
10DEC08	R	02	-	-		12160637, 12160638, 12160639, 12160640 & 12160642 - ADDED TYPE 102 VIEW			



TYPE 101



TYPE 102
SAME AS TYPE 101
EXCEPT AS SHOWN

NOTES

- UNLESS OTHERWISE SPECIFIED AND/OR INDICATED: DIMENSIONS ARE TO FACE OF VIEW SHOWN AND AUTOMATICALLY ROUNDED BY COMPUTER FOR INSPECTION. (SEE MATH MODEL FOR PRECISE DIMENSIONS.) FOR ALL OTHER DIMENSIONS NOT SHOWN BUT REQUIRED FOR TOOL BUILD, SEE MATH MODEL FOR PRECISE TOOL PATH DATA.
- REFERENCE MATING COMPONENTS OR EQUIVALENT: TERMINAL MINI FUSE 12092075.
- RECOMMENDED MATING BLADE - 0.835 ± 0.035 THICKNESS 2.8 ± 0.1 WIDTH, 7 LENGTH.
- MAXIMUM CURRENT CAPACITY IS 25 AMPS.
- MAXIMUM MINI FUSE TO BE USED IS 20 AMPS FUSE.
- DO NOT PROBE, TEST OR OTHERWISE CONTACT THE INTERIOR REGION (THE SPRING OR ANY MOVING PART) OF THIS TERMINAL. SEVERE DAMAGE CAN OCCUR, COMPROMISING THE PERFORMANCE OF THE ELECTRICAL INTERFACE.

PART NO	REV	N/P	STATUS	MAT'L SIZE	MAT'L SPEC	PART NO	REV	N/P	STATUS	MAT'L SPEC	SIZE (MM²)	ID	CABLE	TYPE	E ± 0.40	F ± 0.40		
12160642	A2					P3627029	17410	BEUCU	1/2	HT	SN	PLTD	TWO 0.35	222	TWO 2.1 MAX	102	27 ± 0.2	5.3
12160641	A1					P3627029	17410	BEUCU	1/2	HT	SN	PLTD	TWO 1	217	2.7 - 1.9	101	4.2	6.7
12160640	A2					P3627029	17410	BEUCU	1/2	HT	SN	PLTD	TWO 0.5	220	2.2 - 1.7	102	3.5	5.8
12160639	A2					P3627029	17410	BEUCU	1/2	HT	SN	PLTD	2 - 1	15	3.97 - 2.48	102	3.4	5
12160638	A2					P3627029	17410	BEUCU	1/2	HT	SN	PLTD	0.5 - 0.35	21	2.19 - 1.47	102	2.4 ± 0.2	3.8 ± 0.2
12160637	A2					P3627029	17410	BEUCU	1/2	HT	SN	PLTD	1 - 0.8	17	2.64 - 1.96	102	2.9 ± 0.2	4.6
12160636	A1					P3627029	17410	BEUCU	1/2	HT	SN	PLTD	3 - 2	13	3.65 - 2.5	101	4	5.6
12160635	A1					P3627029	17410	BEUCU	1/2	HT	SN	PLTD	5	10	4.48 - 3.72	101	4.6	7.6

PART DRAWING	
STYLE	D
VOLUME 10/11	DISTR CODE
UNLESS OTHERWISE SPECIFIED	
THIS DOCUMENT IS IN ACCORDANCE WITH ASME Y14.5M-1994 AS MODIFIED BY THE IN-SOURCE DIMENSIONING AND TOLERANCE ADDENDUM-2009. SEPARATE WRITINGS OF FEATURES MAY BE BASED SEPARATELY PER RELEASE OF DRAWING REFERENCES.	
ALL DIMENSIONS ARE IN MILLIMETERS	
(4) PROCESS SENSITIVE DIMENSION	REFERENCE
DIMENSIONS ENCLOSED IN () INDICATE REFERENCE DIMENSIONS AND NO TOLERANCE LIMITS ARE ESTABLISHED	
DIMENSIONAL RANGE (MM)	CHART D
FROM 0 TO 12	>12
TOLERANCE UNLESS OTHERWISE SPECIFIED	
±0.1	±0.2
ANGULAR TOLERANCE 22°	
THIRD ANGLE PROJECTION	DO NOT SCALE
USE MATH DATA	

DELPHI
DELPHI PACKARD ELECTRICAL/ELECTRONIC ARCHITECTURE
WYOMING, OH

DR	DATE
APV01 DEN ELLWOOD	12AP94
APV02 DEN ELLWOOD	12AP94
APV03 DEN ELLWOOD	12AP94
APV04	
APV05	

SUBSTANCES OF CONCERN AND RECYCLED CONTENT PER DELPHI 10949001

DRAWING NAME
TAXI TERM F M/P 280 TANG

DRAWING NUMBER
12160668

SIZE A0 SCALE B:1 FRM NO 1 OF 1 SHEET NO 1 OF 3 REV N/P R 02 -