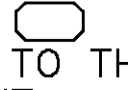
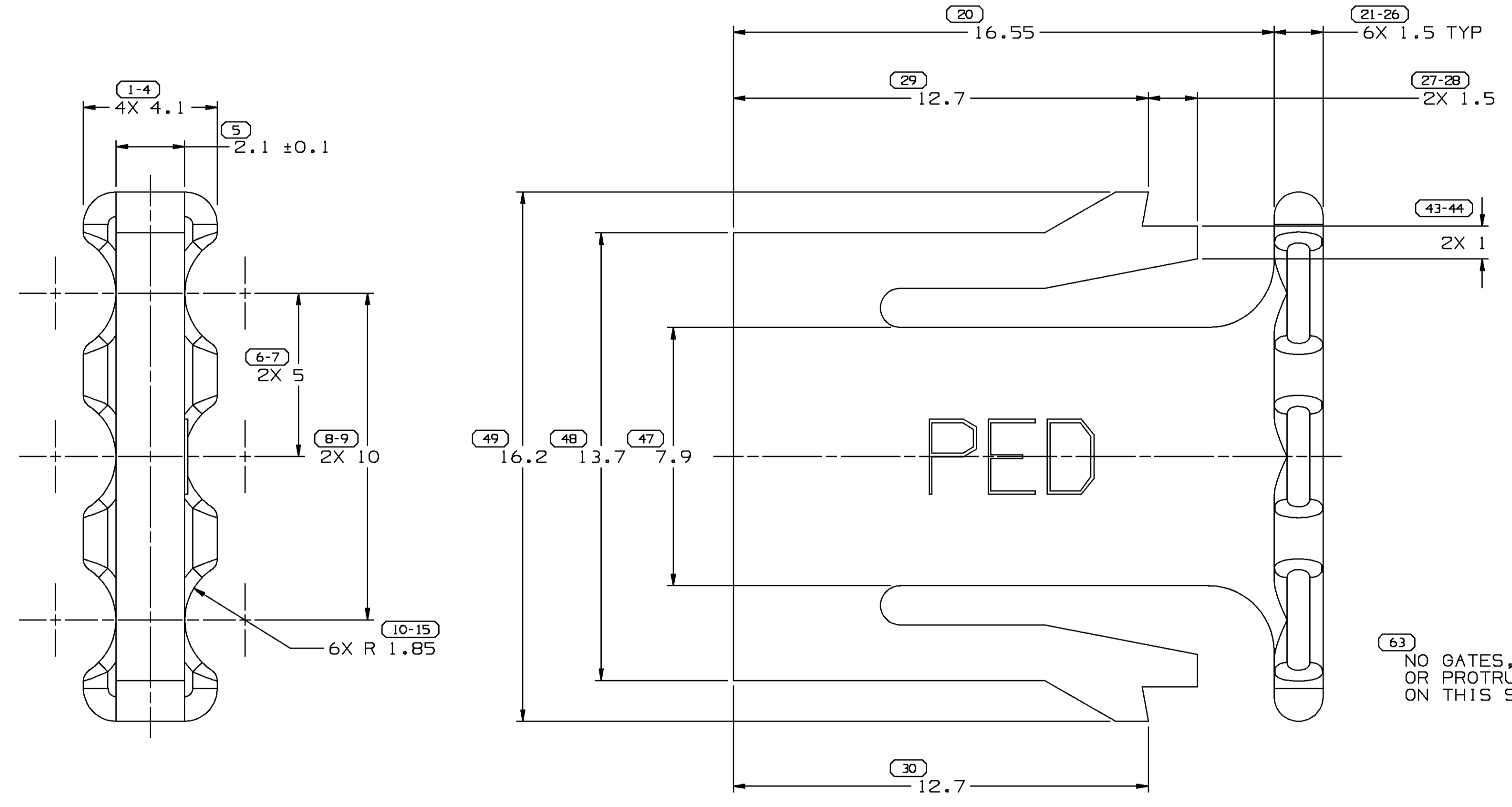
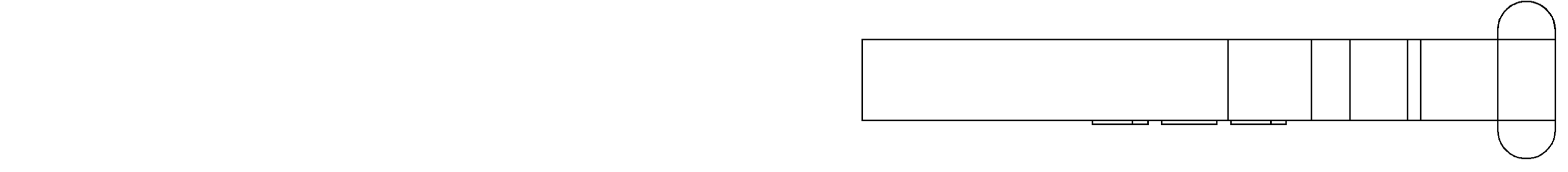


DO NOT SCALE

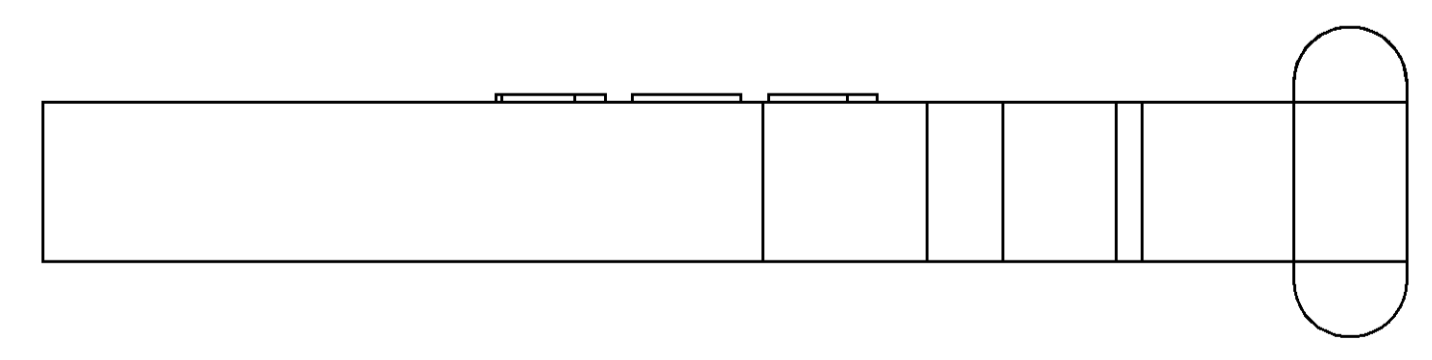
DELPHI PACKARD ELECTRIC SYSTEMS
WARREN, OHIO 44166

PART NO
1212 9492

SYMBOL DEFINITION		MISSING NUMBERS		DATE	SYM	REVISION RECORD	AUTH	DR	CK
THE NUMBER INSIDE THE SYMBOL  CORRESPONDS TO THE NUMBER ON THE INSPECTION REPORT FOR THIS DRAWING/PART NUMBER	TOTAL NO. OF SYMBOLS ON DRAWING	15	16-19, 31-42, 45-46, 50-62,	06JA99	A1	REDRAWN TO PD	990009	PHCFKV	
	LAST NO. USED	63		20AU99	A2	REMOVED DIMS (13 PLCS), REVISED MAT'L SPEC & PROCESS SENSITIVE DIM			




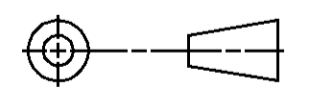
63 NO GATES, SHARP POINTS OR PROTRUSIONS ALLOWED ON THIS SURFACE



NOTES

- UNLESS OTHERWISE SPECIFIED AND/OR INDICATED: DIMENSIONS ARE TO FACE OF VIEW SHOWN AND AUTOMATICALLY ROUNDED BY COMPUTER FOR INSPECTION. (SEE MATH MODEL FOR PRECISE DIMENSIONS.) FOR ALL OTHER DIMENSIONS NOT SHOWN BUT REQUIRED FOR TOOL BUILD, SEE MATH MODEL FOR PRECISE TOOL PATH DATA.
- THIS PART IS NOT CONTROLLED FOR AUTOMATIC FEEDING.
- MATING COMPONENTS OR EQUIVALENT: CONNECTOR 12129490

PART NO
1212 9492

PART DRAWING		THIRD ANGLE PROJECTION
		
CODE NO 6900	QC	METRIC DIMENSIONS ARE IN MILLIMETERS UNLESS OTHERWISE SPECIFIED
DWG DATE 24AP91	SCALE 10:1	DES DR JOHN M. SOVA 24AP91 CKT. MUDREY 07NO91 APPR
REFERENCE NO 001,701	MATERIAL SPEC R0071769 PA66 HS IM-GRA LT	VOL CM ³ 0.477

DIMENSIONAL RANGE	
FROM	TO
0	> 20
> 20	> 30
> 30	> 70
> 70	> 100
> 100	> 1000

PART NUMBER		SIZE
1212 9492		A1