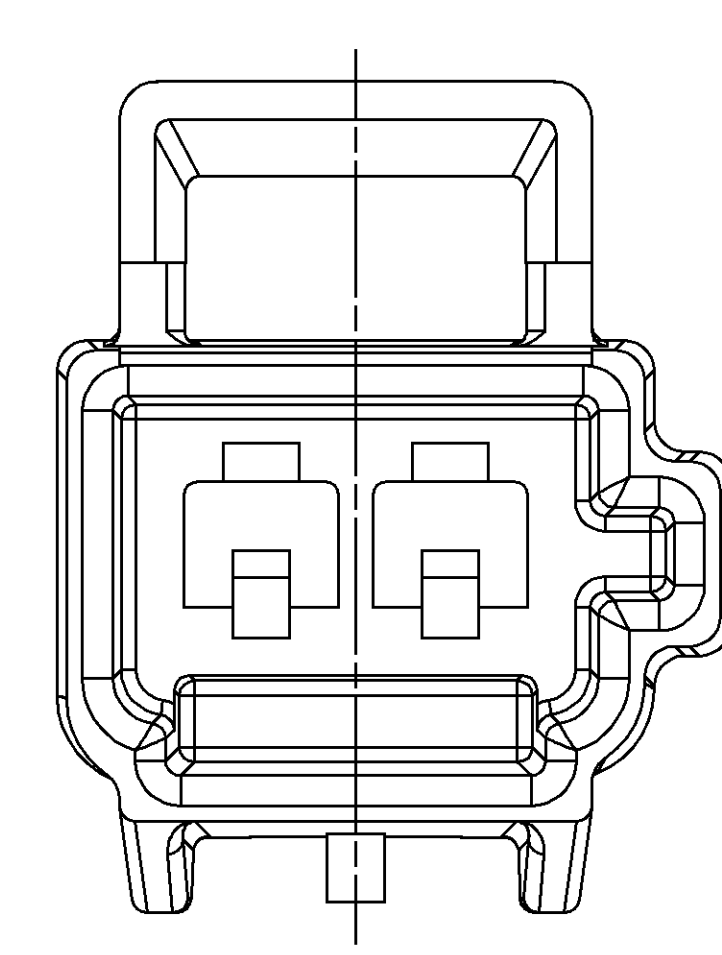
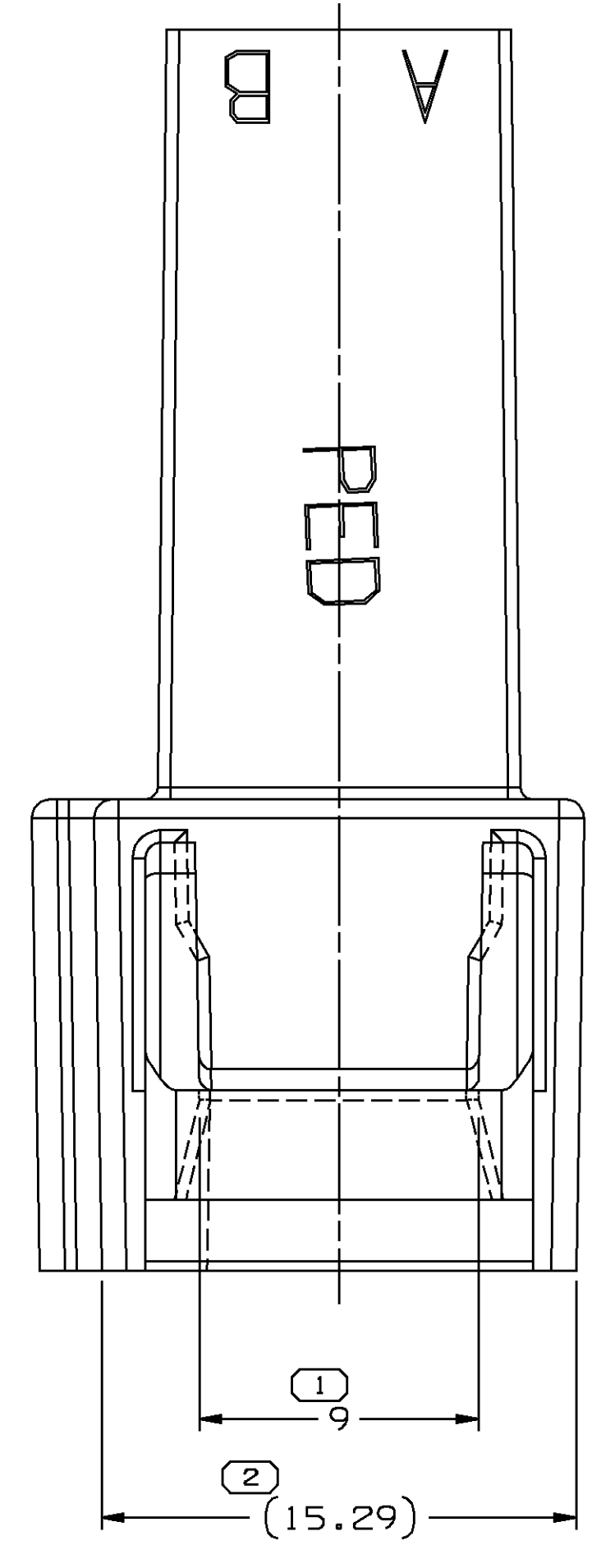
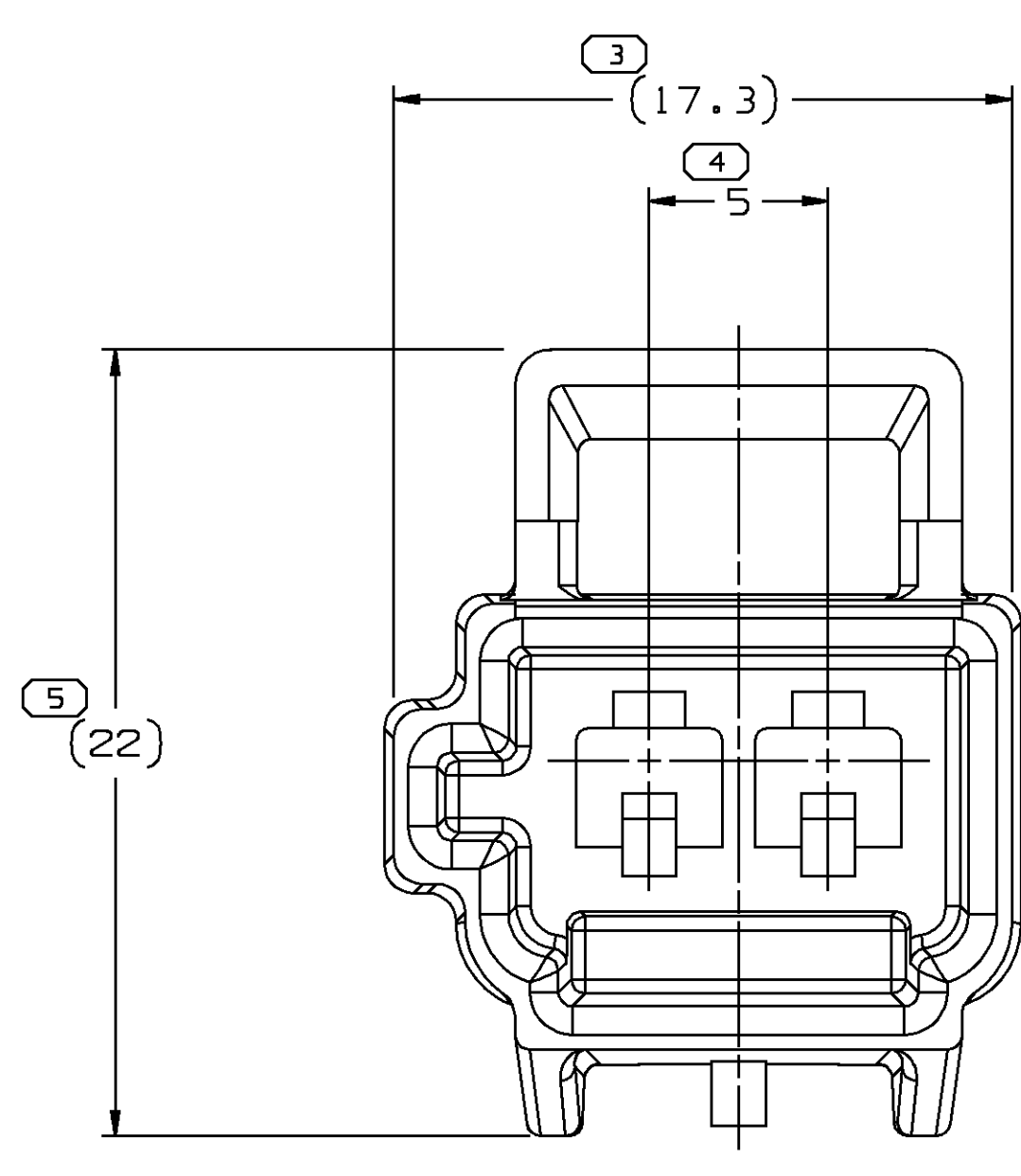


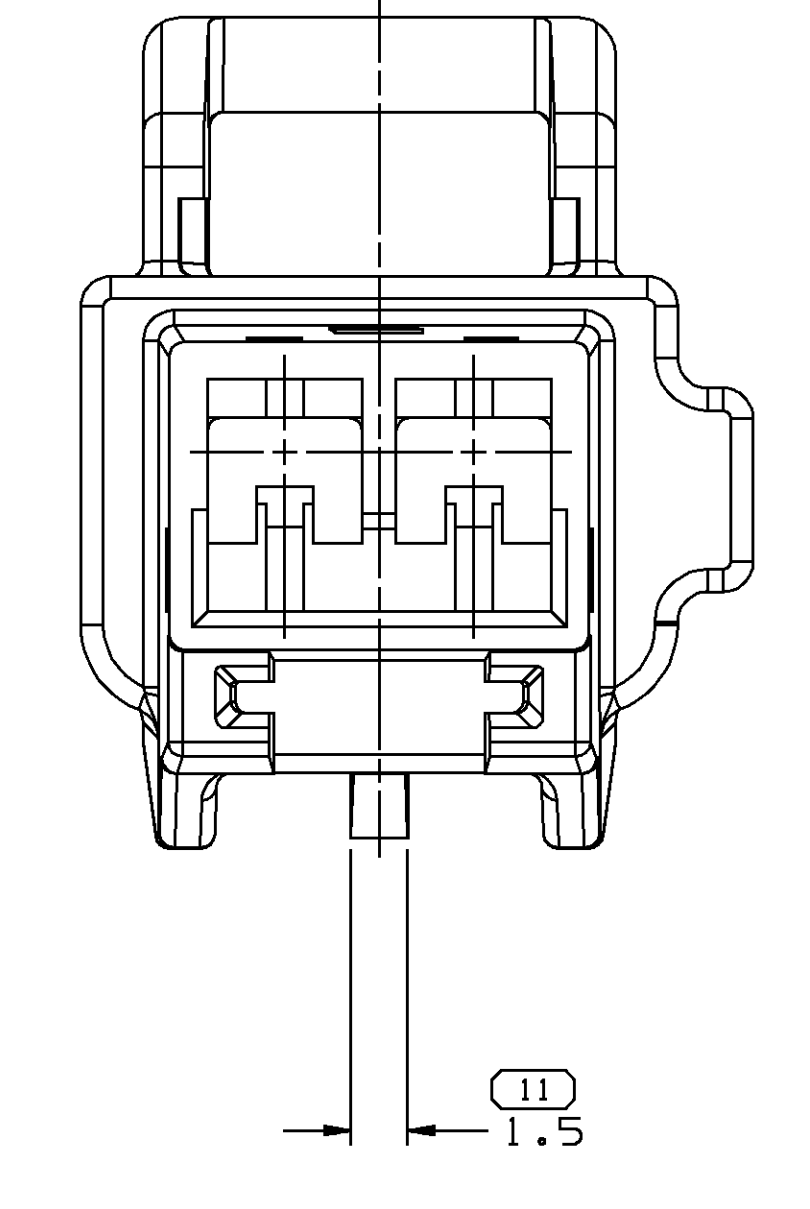
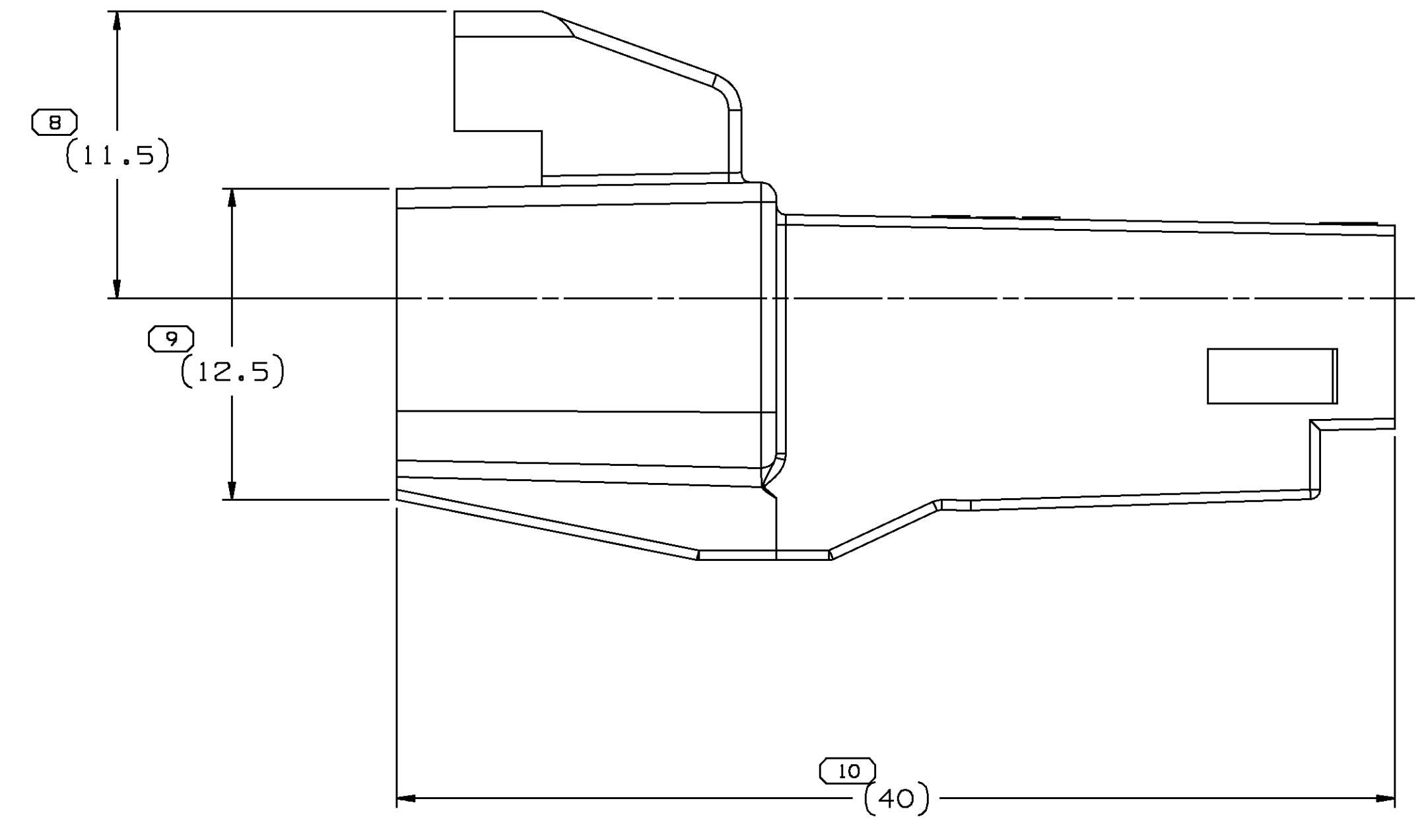
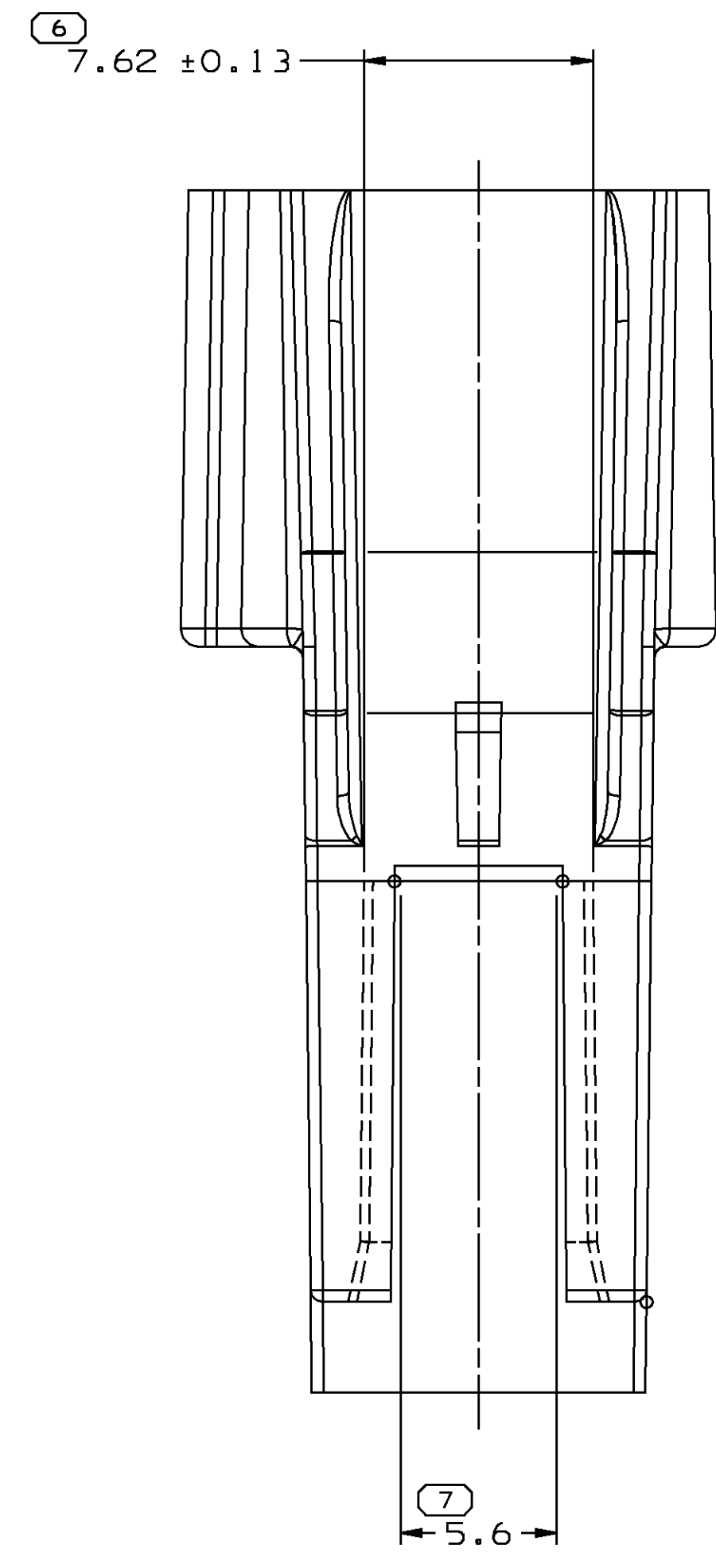
SYMBOL DEFINITION		MISSING NUMBERS		DATE	SYM	REVISION RECORD	AUTH	DR	CK
THE NUMBER INSIDE THE SYMBOL () CORRESPONDS TO THE NUMBER ON THE INSPECTION REPORT FOR THIS DRAWING/PART NUMBER	TOTAL NO. OF SYMBOLS ON DRAWING	11		12JA99		ALL PARTS - WERE "C"			
	LAST NO. USED	11				SIZE SEPARATE DWGS & REDRAWN TO PD - REV LEVELS ADVANCED			990009JTCJHY



TYPE II
SAME AS TYPE I EXCEPT AS SHOWN



TYPE I

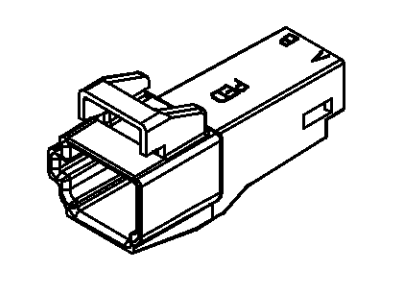


PART NO
1212 9154

PART NO
1212 9154

NOTES

- UNLESS OTHERWISE SPECIFIED AND/OR INDICATED: DIMENSIONS ARE TO FACE OF VIEW SHOWN AND AUTOMATICALLY ROUNDED BY COMPUTER FOR INSPECTION. (SEE MATH MODEL FOR PRECISE DIMENSIONS.) FOR ALL OTHER DIMENSIONS NOT SHOWN BUT REQUIRED FOR TOOL BUILD, SEE MATH MODEL FOR PRECISE TOOL PATH DATA.
- MATING COMPONENTS OR EQUIVALENT: CONNECTOR SEE CHART TERMINAL 12034047 MAX INSULATION CRIMP MUST BE LESS THAN 3.6 HIGH AND 4 WIDE. SECONDARY TERMINAL LOCK 12129157 MAX CABLE O.D. 3.4 CONNECTOR POSITION ASSURANCE LOCK 12052834
- SEALING CODE 0 - UNSEALED
- THIS PART IS NOT CONTROLLED FOR AUTOMATIC FEEDING.



PART DRAWING		THIRD ANGLE PROJECTION
CODE NO 6900	QC -C-4319	METRIC DIMENSIONS ARE IN MILLIMETERS UNLESS OTHERWISE SPECIFIED
DWG DATE 16JA91	SCALE 5:1	DES DR JACOB TREJO 12JA99 CK JOSE HUERTA 13JA99 APPR
REFERENCE NO 001,701	MATERIAL SPEC SEE CHART	VOL. CM ³ 3.235
NAME TAXI CONN 2M M/P 280		SIZE AO
PART NUMBER 1212 9154		XXXX

PART NO	REV	STATUS	MATERIAL SPECIFICATION AND COLOR	TYPE	MATING CONNECTOR
12129156	DI		RO071784 PA66 HS IM-GR4 MD	II	12129082
12129155	CI		RO071754 PA66 HS IM-BLK	I	12129081

THE DIMENSION NUMBERS SHOWN BELOW INDICATE DIMENSIONS THAT ARE SENSITIVE FOR PART PRODUCTION	
()	()
DIMENSIONS ENCLOSED IN () INDICATE REFERENCE DIMENSIONS AND NO TOLERANCE LIMITS ARE ESTABLISHED	
DIMENSIONAL RANGE	
FROM	0 > 20 > 30 > 70 > 100
TO	20 30 70 100
TOLERANCE UNLESS OTHERWISE SPECIFIED	
()	±0.15 ±0.2 ±0.3 ±0.4 ±0.5
ANGULAR TOLERANCE ± 2°	