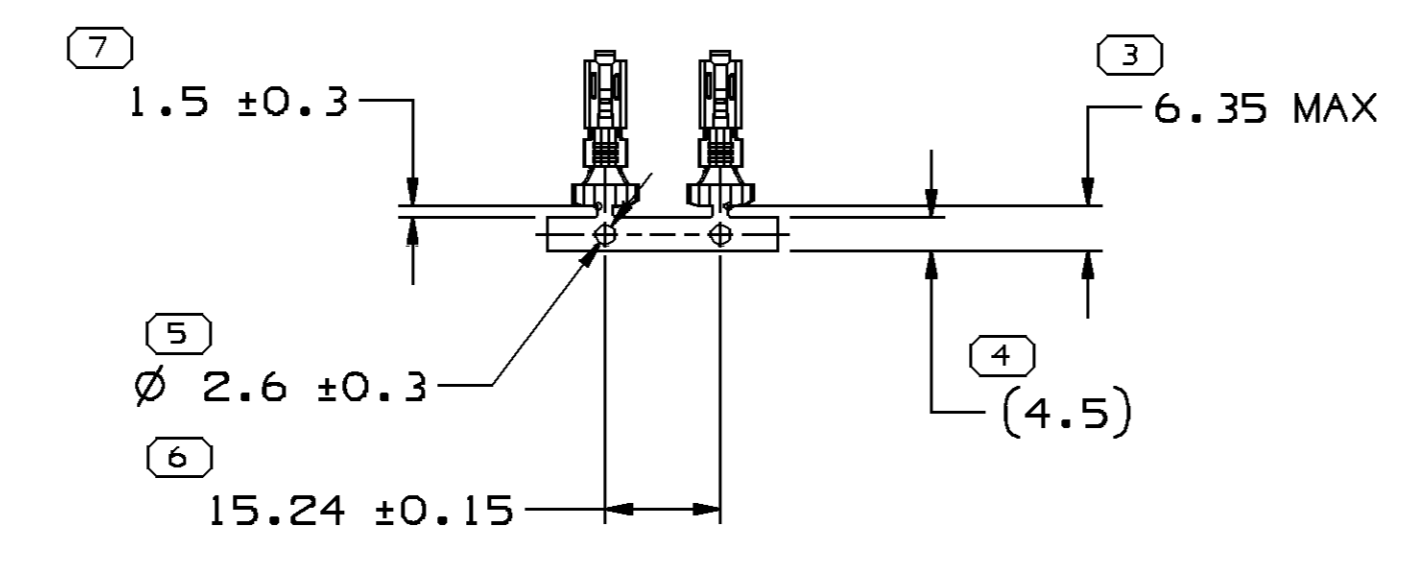
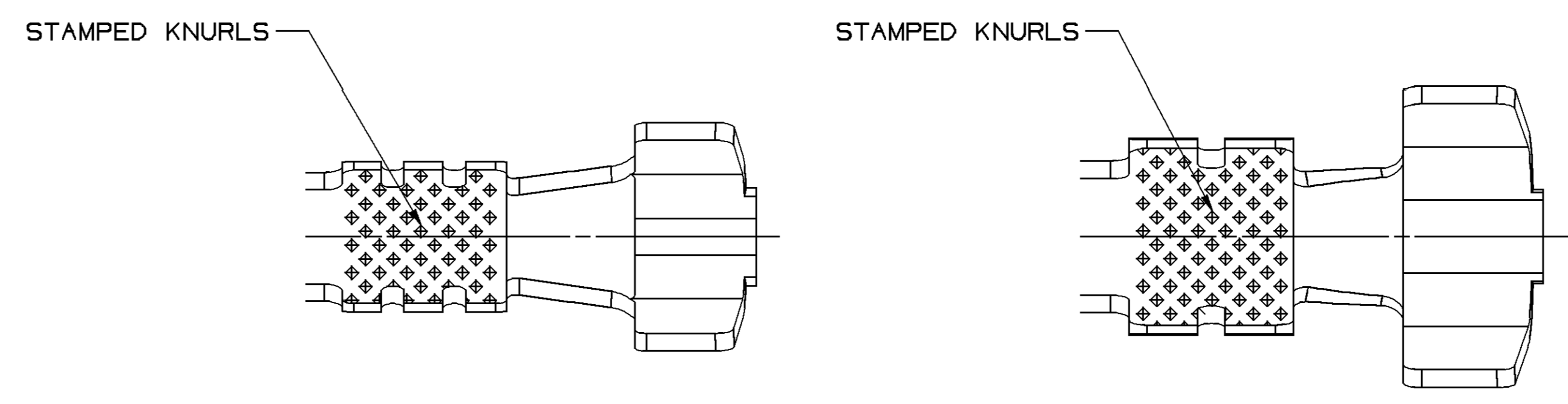


| SYMBOL DEFINITION | | TOTAL NO OF INSPECTIONS REQUIRED | | MISSING SYMBOLS | |
|--|--|----------------------------------|--|--------------------------|--|
| A DIMENSION WITHOUT AN INSPECTION REPORT SYMBOL DOES NOT REQUIRE INSPECTION. IT MAY BE CONTROLLED ON THE INDIVIDUAL COMPONENT DRAWING. | | 19 | | NO MISSING SYMBOL NUMBER | |
| | | LAST NO. USED | | 17 | |

| DATE | | REV | BY | CHK | ZONE | REVISION HISTORY | | AUTH | DR | AP/D | AP/D |
|---------|---|-----|----|-----|------|---|--|--------|-----|------|------|
| 02FE04 | R | 01 | - | - | - | CLEARED REVISION COLUMN: ALL PARTS - REDRAWN TO PD: 12052221 - 2.4 WAS 6.24 | | 250880 | ECB | AUG | B06 |
| 11APOS | R | 02 | - | - | - | ALL ACTIVE PARTS - ADDED GRAPHIC OF KNURL FOR TYPE 102 & 103 | | 266714 | MDH | JAA | KWM |
| 19APOS | R | 03 | - | - | - | 12059243 & 12052221 - CORRECTED DIM "V" WAS 5.4 | | 267480 | RTV | JAA | B06 |
| 21JUL05 | R | 04 | - | - | - | 12015860, 12052219, 12052221, 12084595 AND 12124304 - CREATED NISSAN CUSTOMER PART DRAWING | | 265749 | JBD | FRG | B06 |
| 21JUL05 | R | 05 | - | - | - | 12084595 - UPDATED PDW ATTRIBUTES AND CREATED FORD CUSTOMER PART DRAWING | | 269329 | JBD | FRG | B06 |
| 20FE06 | R | 06 | - | - | - | 12124057 & 1205221 - DIM "M" WAS 2.4 & DIM "N" WAS 2.8 AND 12015860 - DIM "M" WAS 2.8 & DIM "N" WAS 2.4 | | 277475 | JOA | FRG | B06 |

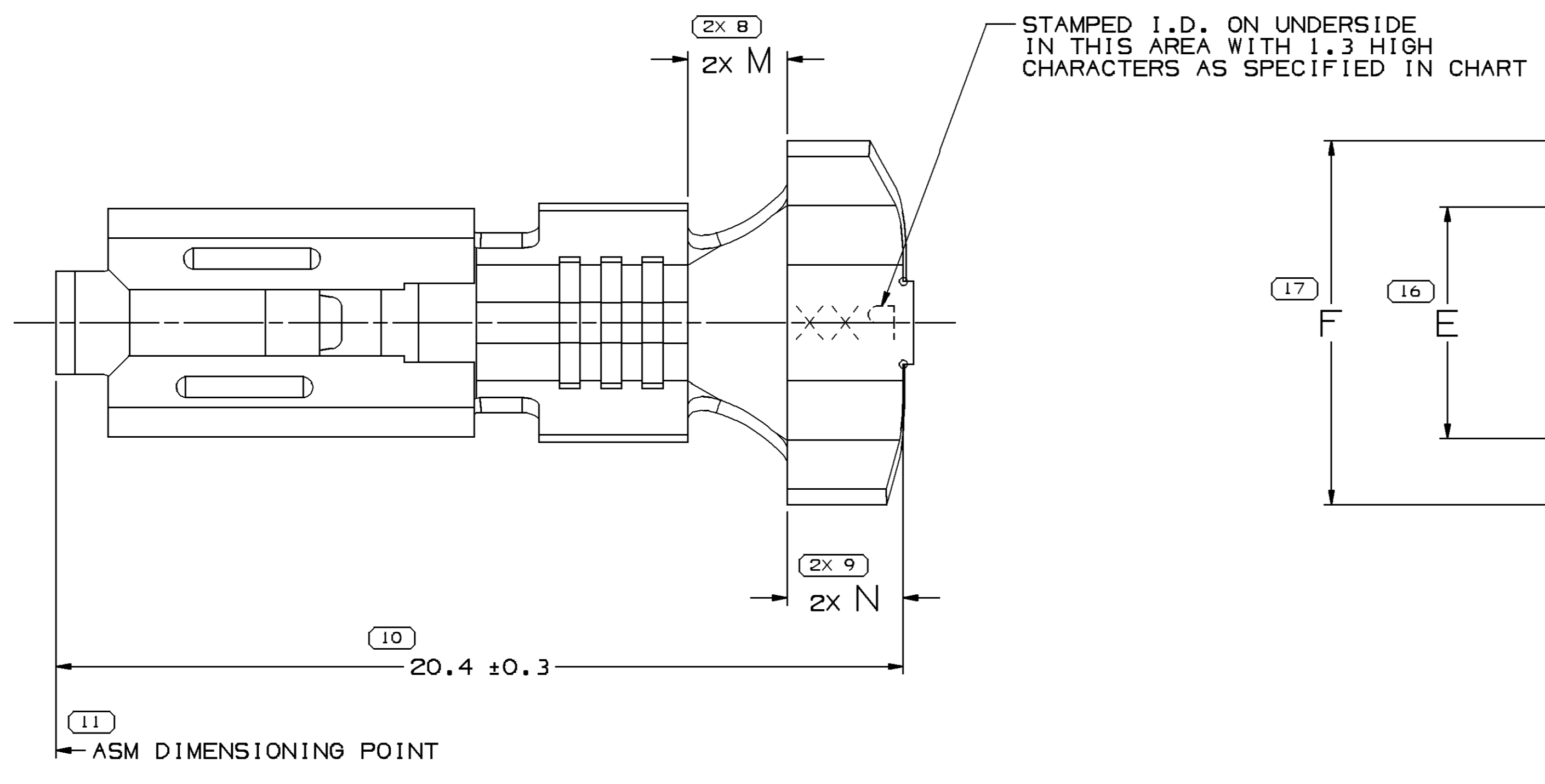
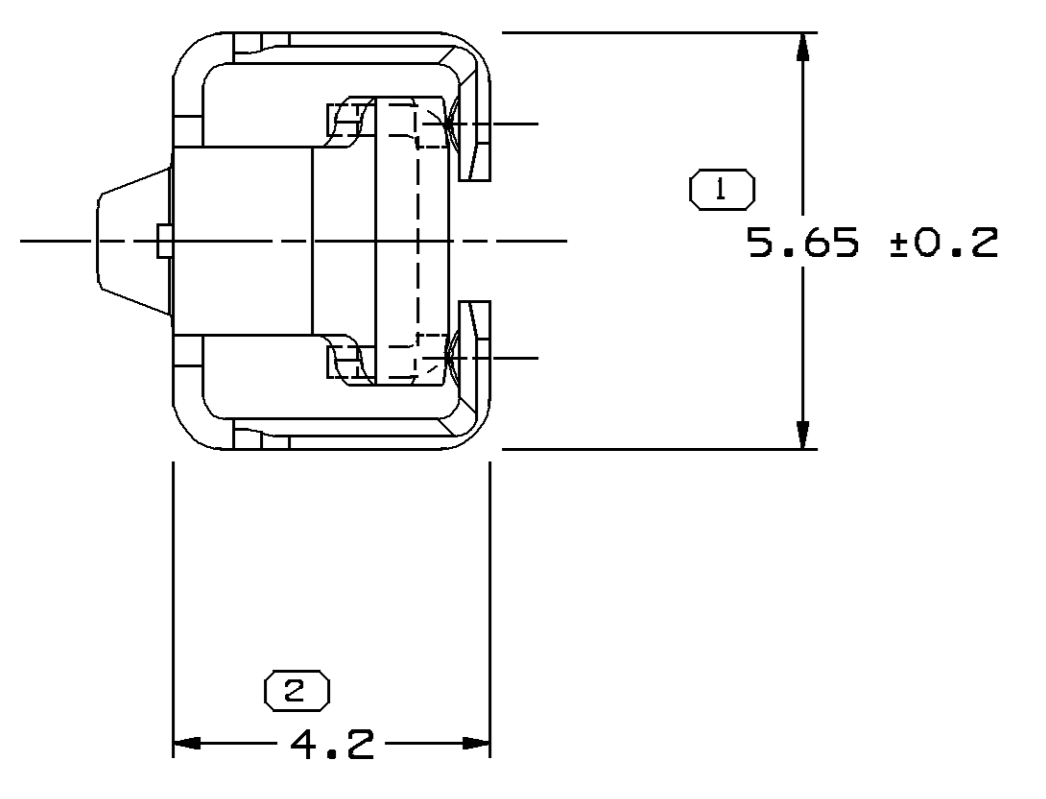


CARRIER STRIP
SCALE 1:1

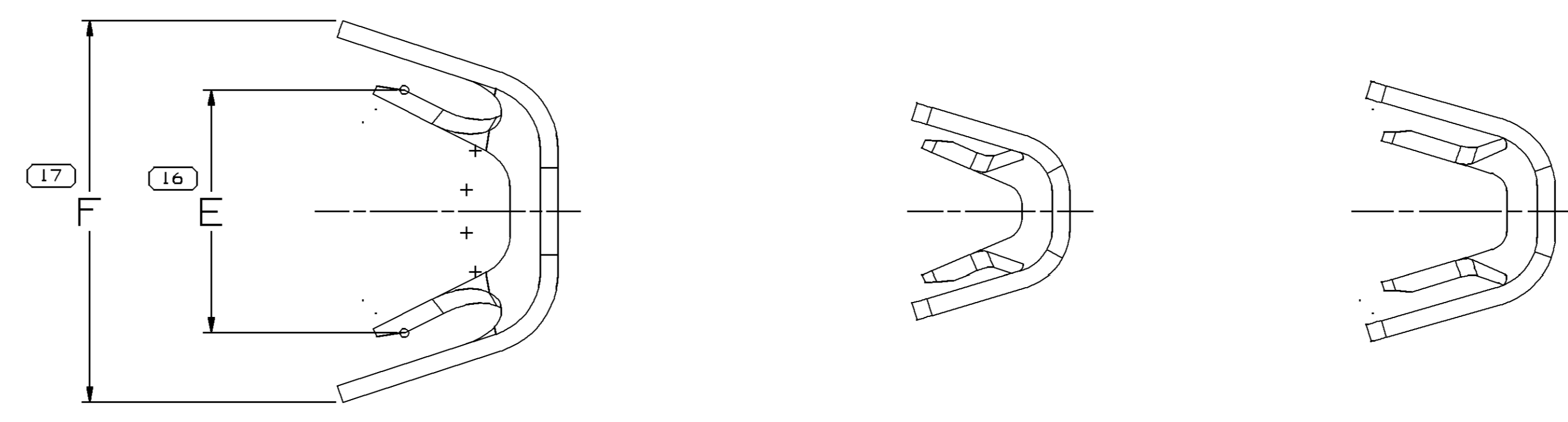


KNURL VIEW - TYPE 102
SAME AS TYPE 101
EXCEPT AS SHOWN

KNURL VIEW - TYPE 103
SAME AS TYPE 101
EXCEPT AS SHOWN

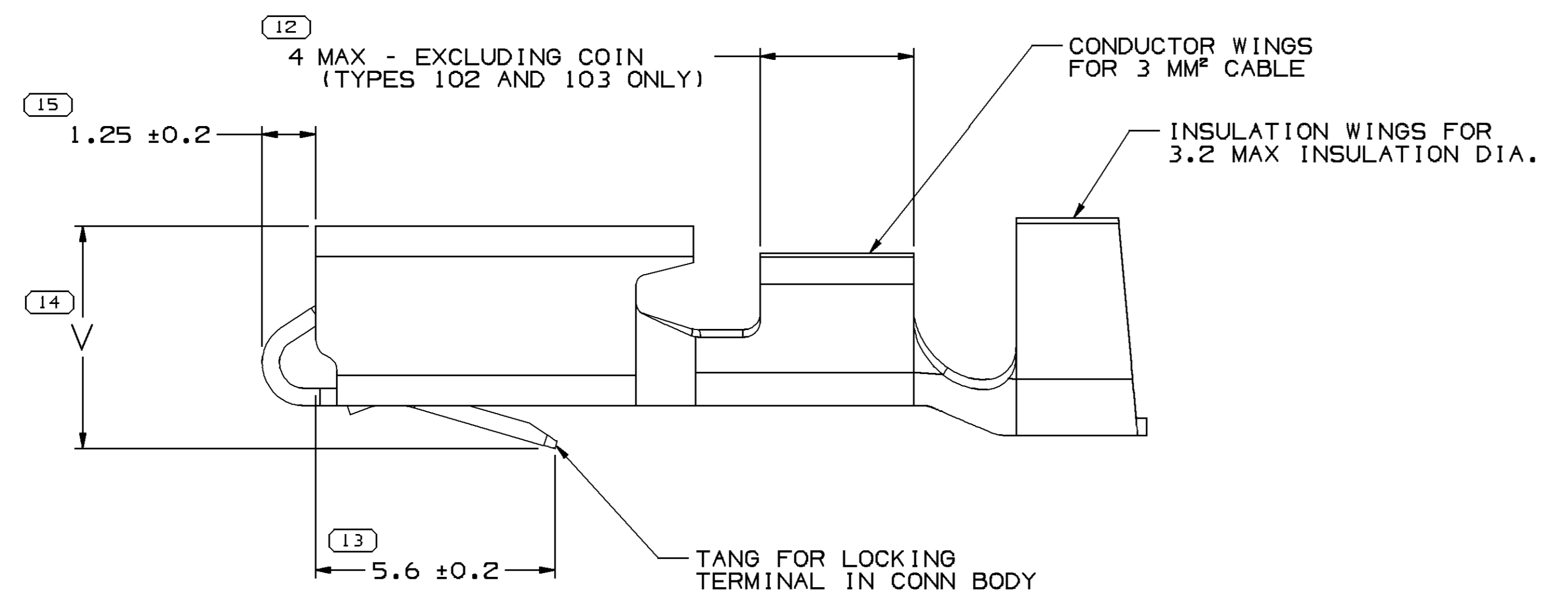


TYPE 101



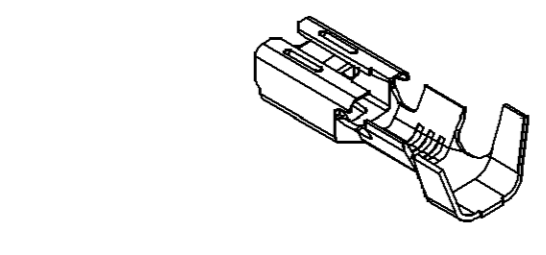
TYPE 102
SAME AS TYPE 101
EXCEPT AS SHOWN

TYPE 103
SAME AS TYPE 101
EXCEPT AS SHOWN



NOTES

- UNLESS OTHERWISE SPECIFIED AND/OR INDICATED:
DIMENSIONS ARE TO FACE OF VIEW SHOWN AND AUTOMATICALLY ROUNDED BY COMPUTER FOR INSPECTION (SEE MATH MODEL FOR PRECISE DIMENSIONS). FOR ALL OTHER DIMENSIONS NOT SHOWN BUT REQUIRED FOR TOOL BUILD, SEE MATH MODEL FOR PRECISE TOOL PATH DATA.
- RECOMMENDED MATING BLADE 4.8 X 0.81.
- TERMINALS TO HAVE TERMINAL ENGAGE OF 8N TO 28N AND TERMINAL DISENGAGE OF 8N TO 28N WHEN MATED TO A 4.8 X 0.81 HARDENED STEEL BLADE. (DISENGAGE MAY BE EXCLUDED WHEN BOX HEIGHT, BOX WIDTH, MINIMUM BOX ENTRANCE, NOSE RADIUS AND TERMINAL ENGAGE ARE MAINTAINED.)
- "PXX" INDICATES "P" PLUS LAST TWO DIGITS OF MAKE DIE SERIES NUMBER (P01, P02, P03, ETC).
- REF. GAGE #6904.
- DO NOT PROBE, TEST OR OTHERWISE CONTACT THE INTERIOR REGION (SPRING OR ANY MOVING PART) OF THIS TERMINAL. SEVERE DAMAGE CAN OCCUR, COMPROMISING THE PERFORMANCE OF THE ELECTRICAL INTERFACE.



VIEW SCALE DOES NOT REFLECT ACTUAL PART SIZE

| PART NO | REV | N/P | STATUS | MAT'L SIZE | MAT'L SPEC | PART NO | REV | N/P | STATUS | MAT'L SIZE | MAT'L SPEC | SIZE (MM²) | DIA | ID NO | BLANK TYPE | E±0.4 | F±0.4 | M±0.15 | N±0.15 | V±0.15 | ANTI-ROTATION NIB |
|----------|-----|-----|----------|---------------|------------|----------|-----|-----|----------|---------------|------------|-----------------------|--------------------|-------|------------|-----------|-----------|--------|--------|--------|-------------------|
| 12124026 | B1 | - | - | 0.406 X 33.73 | M1519445 | 12124057 | B2 | - | - | 0.406 X 33.73 | M1574445 | TWO 1 - 0.8 | 2.7 - 1.9 | 217 | 103 | 4.3+/-0.3 | 6.6 | 2.8 | 2.4 | 5.2 | YES |
| 12066267 | E1 | - | - | 0.406 X 33.73 | M1519445 | 12052219 | E1 | - | - | 0.406 X 33.73 | M1574445 | 0.5 0.35 | 2.51 - 1.84 | 21 | 102 | 2.4+/-0.2 | 3.8+/-0.3 | 2.8 | 2.4 | 5.2 | YES |
| 12059243 | E2 | - | - | 0.406 X 33.73 | M1519445 | 12052221 | E5 | - | - | 0.406 X 33.73 | M1574445 | 3 | 3.2 - 3.04 | 12 | 103 | 4.6 | 6 | 2.8 | 2.4 | 5.2 | YES |
| 12033823 | H1 | - | - | 0.406 X 33.73 | M1519445 | 12084595 | D2 | - | - | 0.406 X 33.73 | M1574445 | 3 - 5 | 5.24 - 3.49 | 11 | 103 | 4.6 | 7.6 | 2.4 | 2.8 | 5.2 | YES |
| 12033822 | G1 | - | - | 0.406 X 33.73 | M1519445 | 12124304 | B1 | - | - | 0.406 X 33.73 | M1574445 | 1 - 2 | 3.97 - 2.48 | 15 | 103 | 3.7 | 6 | 2.4 | 2.8 | 5.2 | YES |
| 12020141 | F | - | OBSOLETE | 0.406 X 33.73 | M1519445 | 12020366 | F1 | - | OBSOLETE | 0.406 X 33.73 | M1574445 | ONE 0.8-0.5 & ONE 2-1 | 3.12-2 & 3.97-2.48 | 1519 | 101 | 5.6 | 8.8 | 2.4 | 2.8 | 5.2 | YES |
| 12020139 | F | - | OBSOLETE | 0.406 X 33.73 | M1519445 | 12020142 | G | - | OBSOLETE | 0.406 X 33.73 | M1574445 | TWO 0.35 | 2 - 1.35 | 222 | 101 | 3.6 | 5.3 | 2.4 | 2.8 | 5.2 | YES |
| 12015904 | E | - | OBSOLETE | 0.406 X 33.73 | M1519445 | 12020140 | G | - | OBSOLETE | 0.406 X 33.73 | M1574445 | 0.35 | 2 - 1.35 | 22 | 101 | 2.2 | 3.6 | 2.4 | 2.8 | 5.2 | YES |
| 12015831 | D | - | OBSOLETE | 0.406 X 33.73 | M1519445 | 12015919 | F | - | OBSOLETE | 0.406 X 33.73 | M1574445 | TWO 1 | 2.68 - 2.48 | 216 | 101 | 6.6 | 7.6 | 2.4 | 2.8 | 5.2 | YES |
| 12015830 | D | - | OBSOLETE | 0.406 X 33.73 | M1519445 | 12015863 | E | - | OBSOLETE | 0.406 X 33.73 | M1574445 | TWO 0.8 - 0.5 | 3.12 - 2.03 | 219 | 101 | 5.1 | 8 | 2.4 | 2.8 | 5.2 | YES |
| 12015829 | D | - | OBSOLETE | 0.406 X 33.73 | M1519445 | 12015862 | E | - | OBSOLETE | 0.406 X 33.73 | M1574445 | 5 - 3 | 5.24 - 3.49 | 11 | 101 | 4.6 | 7.6 | 2.4 | 2.8 | 5.2 | YES |
| 12015828 | J3 | - | OBSOLETE | 0.406 X 33.73 | M1519445 | 12015861 | E | - | OBSOLETE | 0.406 X 33.73 | M1574445 | 2 - 1 | 3.97 - 2.48 | 15 | 101 | 3.7 | 6 | 2.4 | 2.8 | 5.2 | YES |
| 12015332 | F | - | OBSOLETE | 0.406 X 33.73 | M1403445 | 12015860 | K2 | - | - | 0.406 X 33.73 | M1574445 | 0.8 - 0.5 | 3.12 - 2.03 | 19 | 102 | 3.2 | 5 | 2.4 | 2.8 | 5.2 | YES |
| 12015146 | H | - | OBSOLETE | 0.406 X 33.73 | M1403445 | | | | | | | TWO 0.8 - 0.5 | 3.12 - 2.03 | 219 | 101 | 5.1 | 8 | 2.4 | 2.8 | 5.2 | YES |
| 12015145 | H | - | OBSOLETE | 0.406 X 33.73 | M1403445 | | | | | | | 5 - 3 | 5.24 - 3.49 | 11 | 101 | 4.6 | 7.6 | 2.4 | 2.8 | 5.2 | YES |
| 12015144 | F | - | OBSOLETE | 0.406 X 33.73 | M1403445 | | | | | | | 2 - 1 | 3.97 - 2.48 | 15 | 101 | 3.7 | 6 | 2.4 | 2.8 | 5.2 | YES |
| | | | | | | | | | | | | 0.8 - 0.5 | 3.12 - 2.03 | 19 | 101 | 3.2 | 5 | 2.4 | 2.8 | 5.2 | YES |

DELPHI
DELPHI PACKARD ELECTRIC SYSTEMS
WARREN, OH

DR R.L. PETERSON
AP/D1 E. HESTON
AP/D2 J.S. PENNEY
AP/D3 E.J. TOLNAR
AP/D4
AP/D5

DATE 09NOB4
26NOB4
12DEB4
12DEB4

SUBSTANCES OF CONCERN AND RECYCLED CONTENT PER DELPHI 10949001

SEE CHART

DRAWING NAME TAXI TERM F M/P 480

DRAWING NUMBER 12015247

SCALE 10:1

FRAME NO 1 OF 1

SHEET NO 1 OF 1

REV N/P R 06

UNPLATED

PLATED

CABLE

PROCESS SENSITIVE DIMENSION

DIMENSIONS ENCLOSED IN () INDICATE REFERENCE DIMENSIONS AND NO TOLERANCE LIMITS ARE ESTABLISHED

DIMENSIONAL RANGE (MM) CHART D

FROM 0 TO 12 TOLERANCE UNLESS OTHERWISE SPECIFIED ±0.1 ±0.2 ±0.3

ANGULAR TOLERANCE 2°

THIRD ANGLE PROJECTION

DO NOT SCALE USE MATH DATA

USE MATH DATA

ALL DIMENSIONS ARE IN MILLIMETERS

UNLESS OTHERWISE SPECIFIED THIS DOCUMENT IS IN ACCORDANCE WITH ASME Y14.9M-1994 AS MODIFIED BY THE M SCHEMATIC DIMENSIONING PRACTICES ADDENDUM. SEPARATE MATING OR REFERENCE PARTS MAY BE OBTAINED SEPARATELY PER DELPHI 10949001

DATE: 01-Mar-06 Time: 23:57