

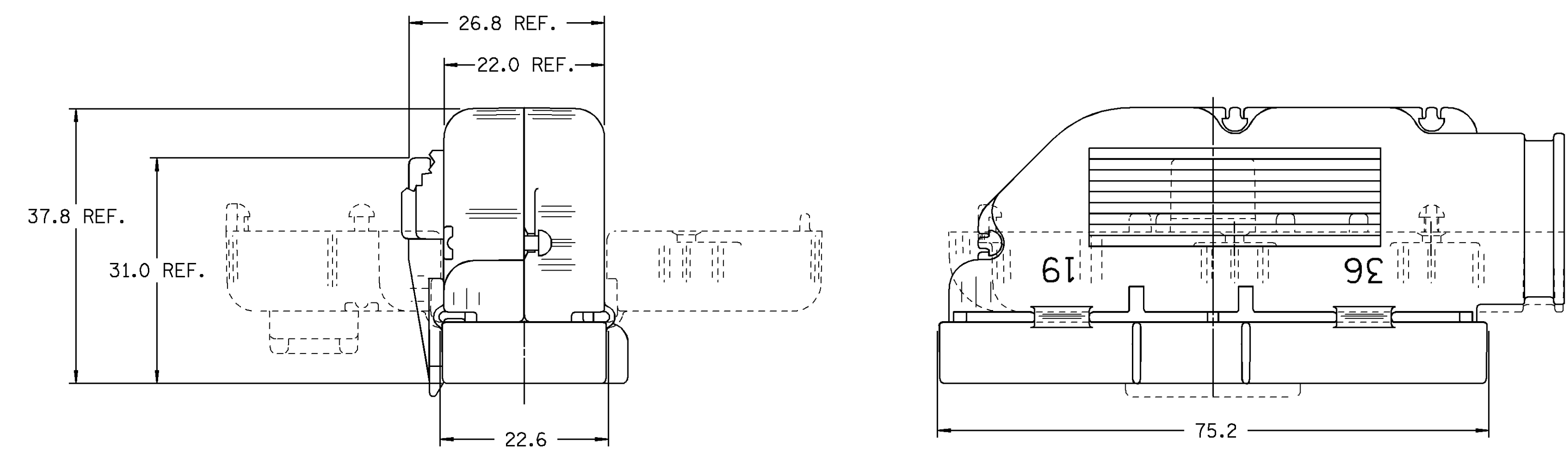
THIS DRAWING AND DESIGN HEREON CONSTITUTES A PROPRIETARY DESIGN OF PACKARD ELECTRIC DIVISION AND IS NOT TO BE DUPLICATED OR REPRODUCED WITHOUT AUTHORITY OF PACKARD ELECTRIC DIVISION.

DO NOT SCALE

PART NO. 1211 0490

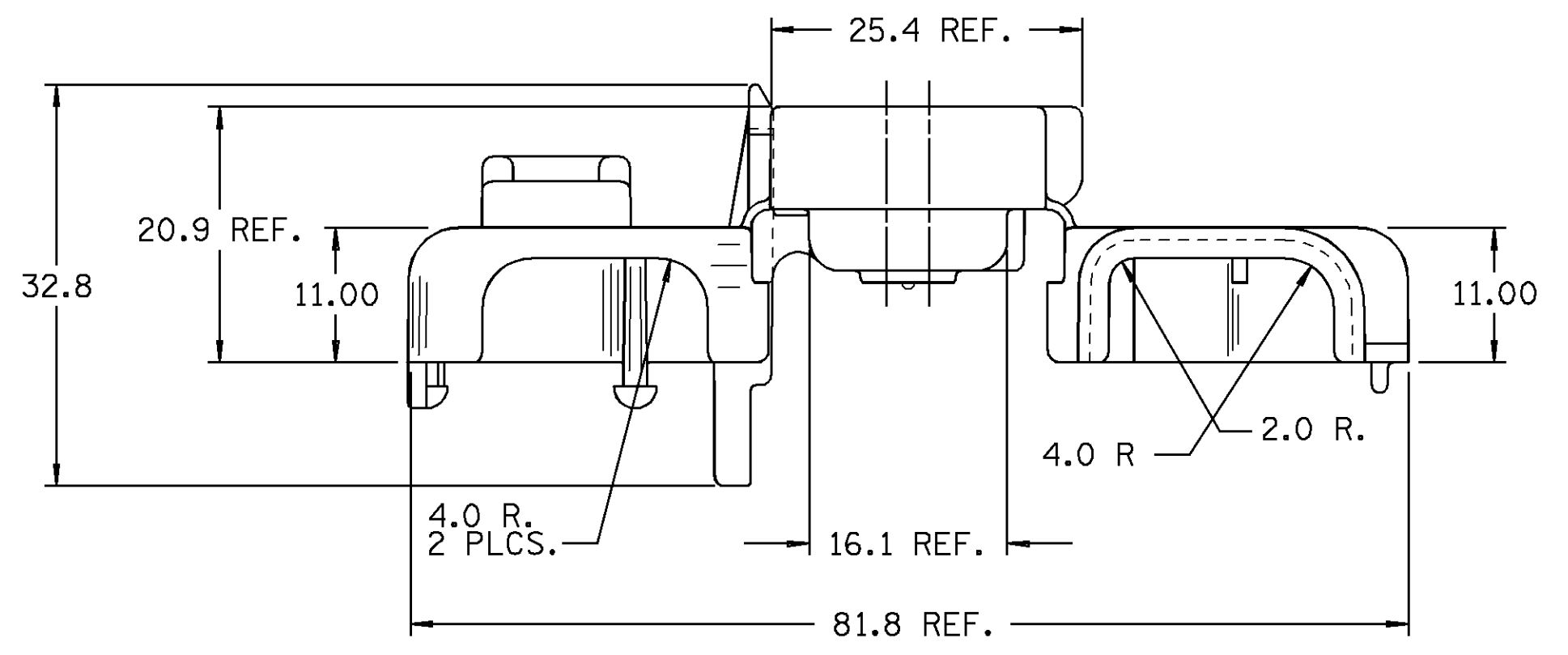
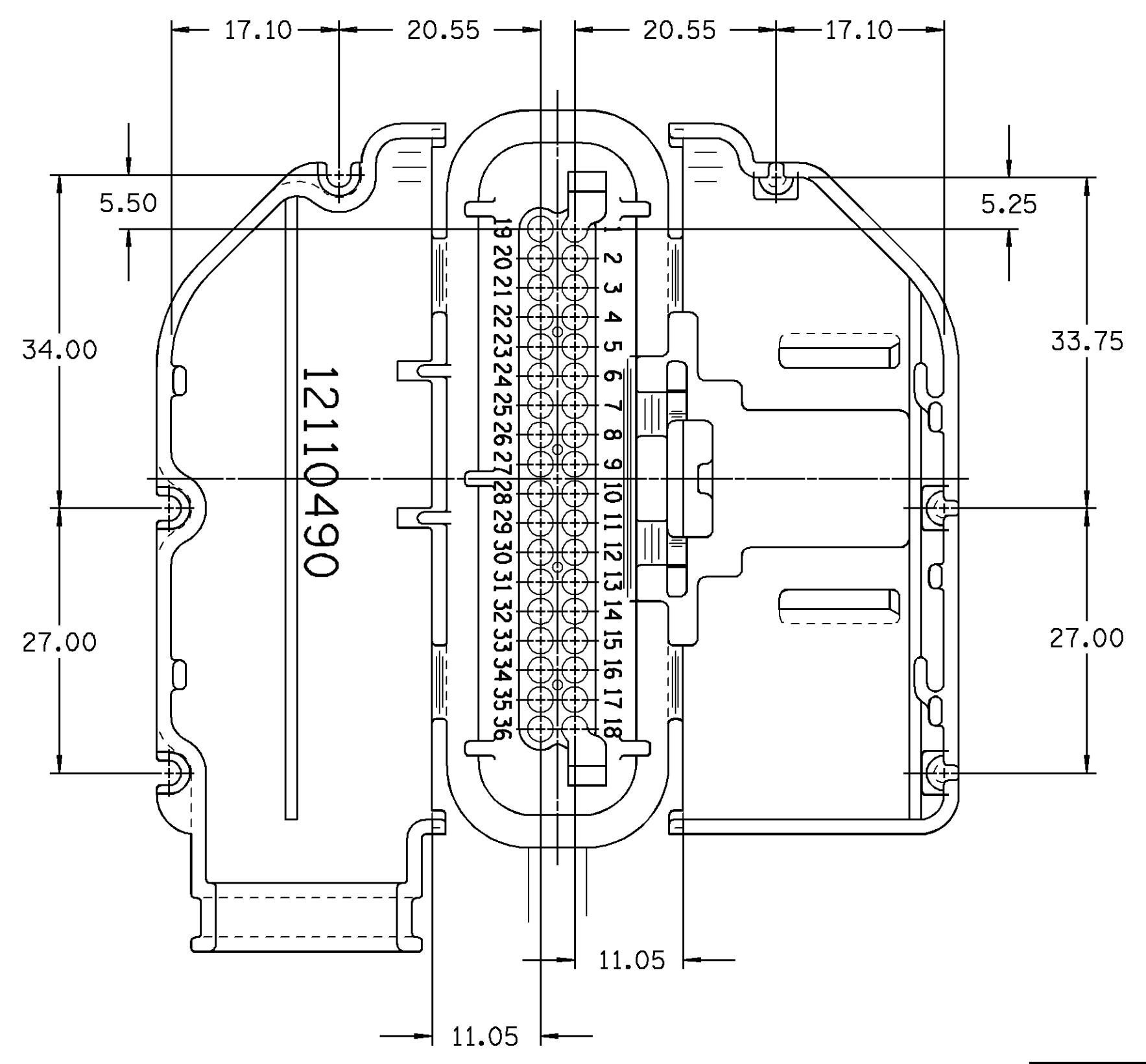
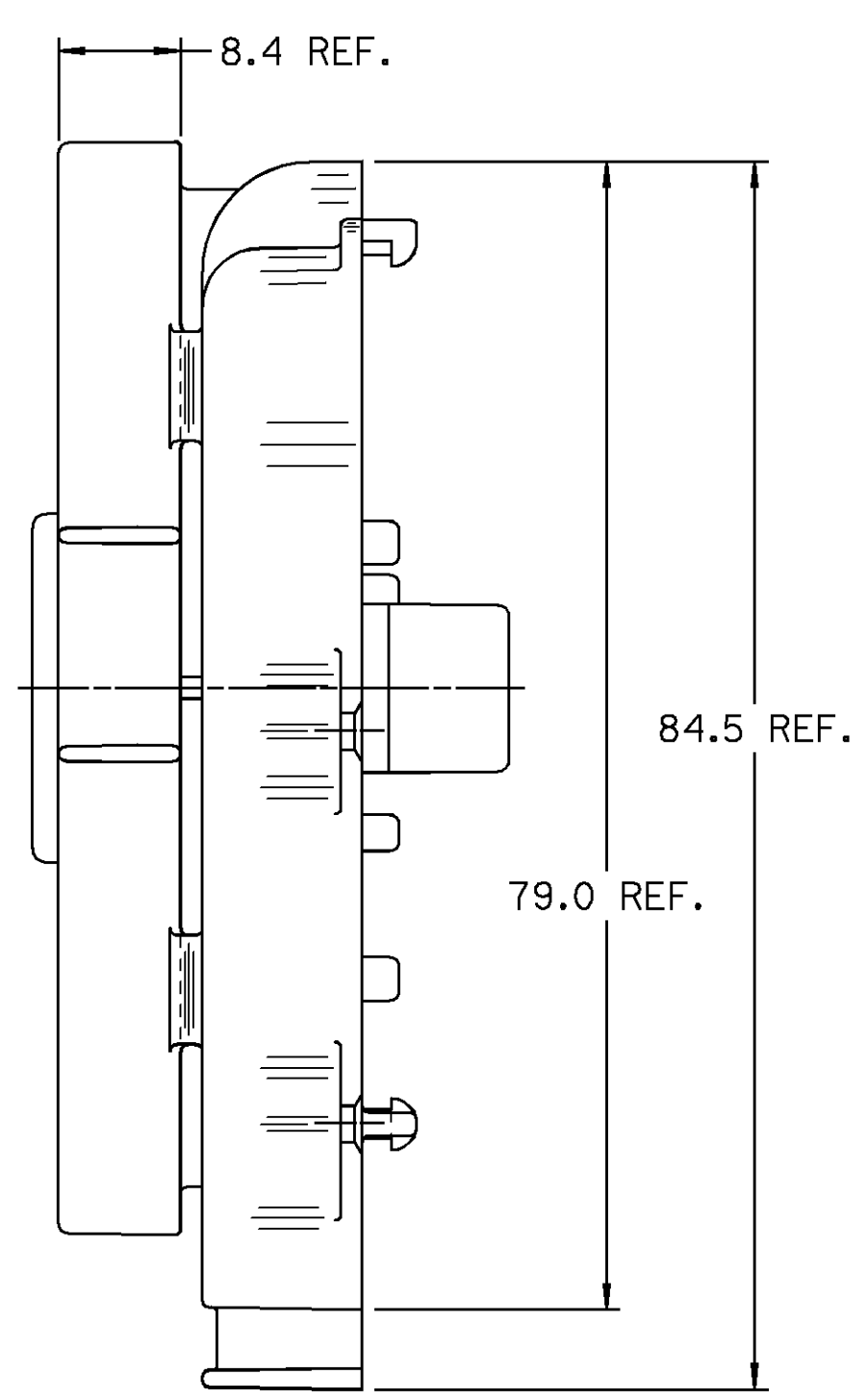
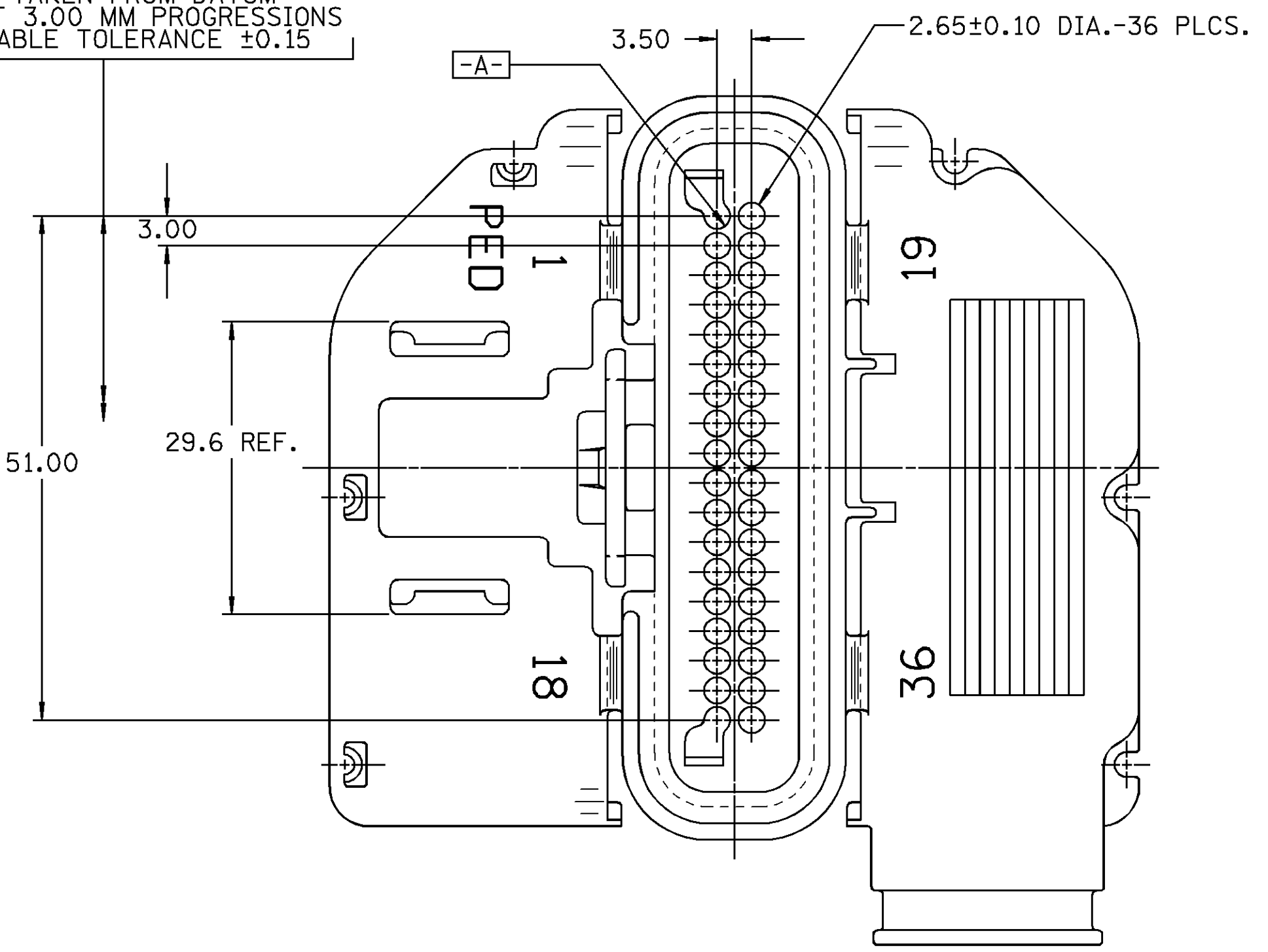
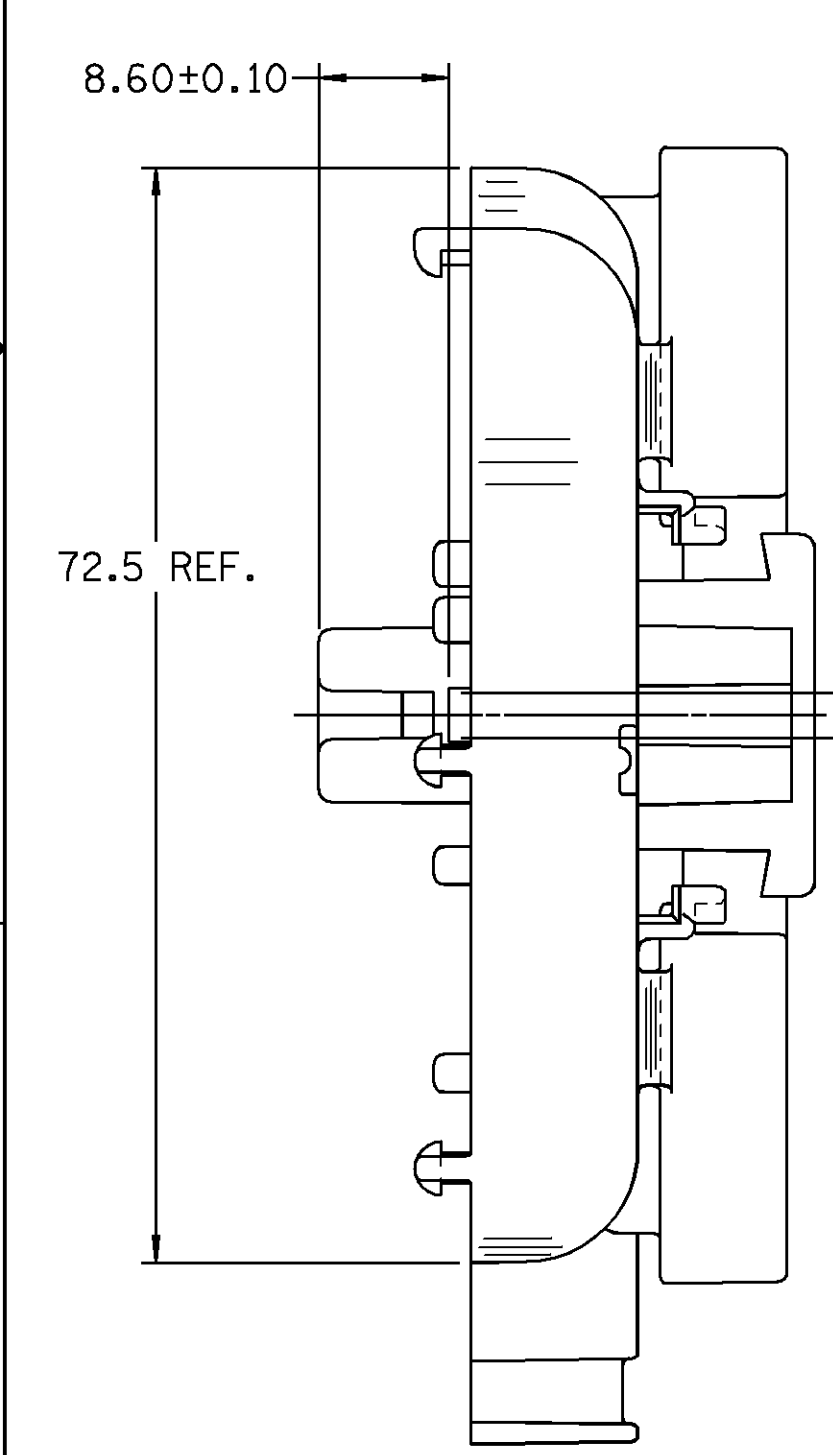
PART NO. 1211 0490

DATE	SYM	REVISION RECORD	AUTHORITY	DR	CK
19N090	C	WAS PEO24165 & RELEASED	900005	JC	JC
19N090	D	REVISED GRAPHICS & DIMENSIONS	138248	JC	JC
04SE91	E	ADDED TWO STRESS RELIEF FEATURES			
		& ANTI SLIDE MECHANISM	144306	DJP	DJP
04SE91	F	REVISED	144307	DJP	DJP
25SE91	G	ADDED BUMPS -4 PLCS	144838	DJP	DJP
16OC91	H	MAT'L SPEC WAS HYTREL 8236 - BLACK	144884	BKD	BKD
30JA92	J	ADDED CPA GUIDE RAILS AND REVISED	147015	BKD	BKD
15JL92	K	REVISED	150078	BAR	BAR
29OC93	K2	REVISED NOTES	157807	HH	HH



STRAIN RELIEF SHOWN IN ASSEMBLED POSITION

CENTERLINE MEASUREMENTS TO BE TAKEN FROM DATUM EA-3 AT 3.00 MM PROGRESSIONS ALLOWABLE TOLERANCE ±0.15



- NOTES —
1. THIS PART ACCEPTS 12084912 TERMINAL OR EQUIVALENT.
 2. MATING FEMALE CONNECTOR 12110487 OR EQUIVALENT.
 3. THIS PART ACCEPTS 12110489 SEAL OR EQUIVALENT.
 4. THIS PART ALSO USED WITH RETAINER 12110488 ,CAVITY PLUG(S) 12129557, C.P.A. 12110299 AND WHEN FULLY ASSEMBLED MATES TO HEADER CONNECTOR ASSEMBLY 12110485 OR EQUIVALENTS.
 5. ENVIRONMENTAL SEAL CLASS CODE 3.
 6. DIMENSIONS MARKED "REF." ARE FOR REFERENCE ONLY AND NO TOLERANCE LIMITS ARE ESTABLISHED.
 7. CRIMP WING DIMENSIONS AFTER CRIMPING MAY NOT EXCEED 2.55 MM DIAMETER. MAX CABLE O.D. 2.42 MM. REFER TO ESA-605 FOR CRIMP DIMENSIONS.

PACKARD ELECTRIC DIVISION
GENERAL WAREHOUSE, OHIO

		FILE SPEC: ****USER**** DGN#SPECIFICATION***** *****SYTIME*****
THIRD ANGLE PROJECTION		METRIC DIMENSIONS ARE IN MILLIMETERS UNLESS OTHERWISE SPECIFIED.
CODE NO. 6900	TOLERANCE UNLESS OTHERWISE SPECIFIED DECIMALS: ONE PLACE ± 0.3 TWO PLACE ± 0.15 ANGLULAR ± 2°	
DWG. DATE 06MR90	SCALE NONE	DR. J.COLDENOW 19N090
EST. NO.	CK. J.COLDENOW	DATE 19N090
REFERENCE NO. 12110490 "R6" SIZE	APPR. CHRIS REIDER APPR. R.J. POLEHONKI	DATE 30N090 DATE 30N090
MATERIAL SPEC. HYTREL - GRAY		
NAME STRAIN RLF 36F MIC/P 100W RH 90DEG		
PART NO. 1211 0490		SIZE D