
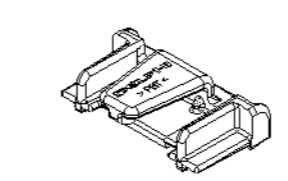
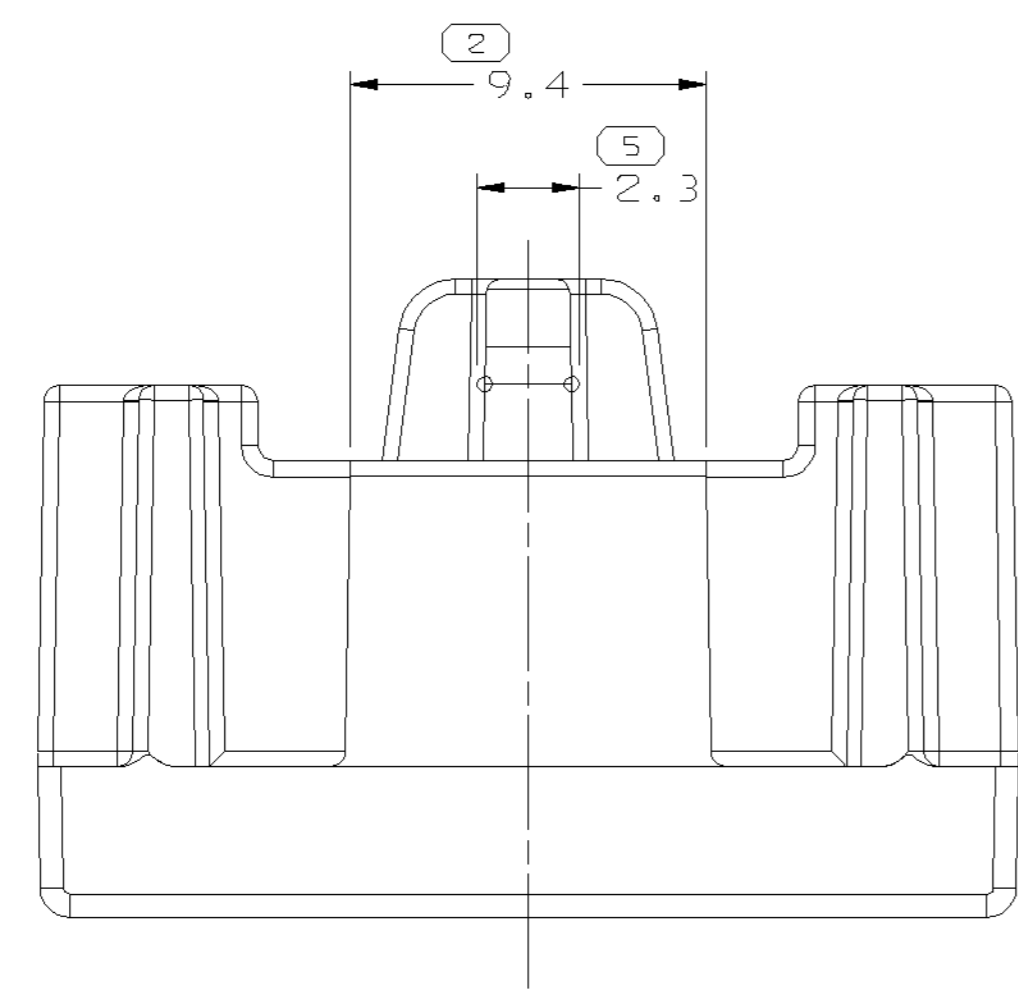
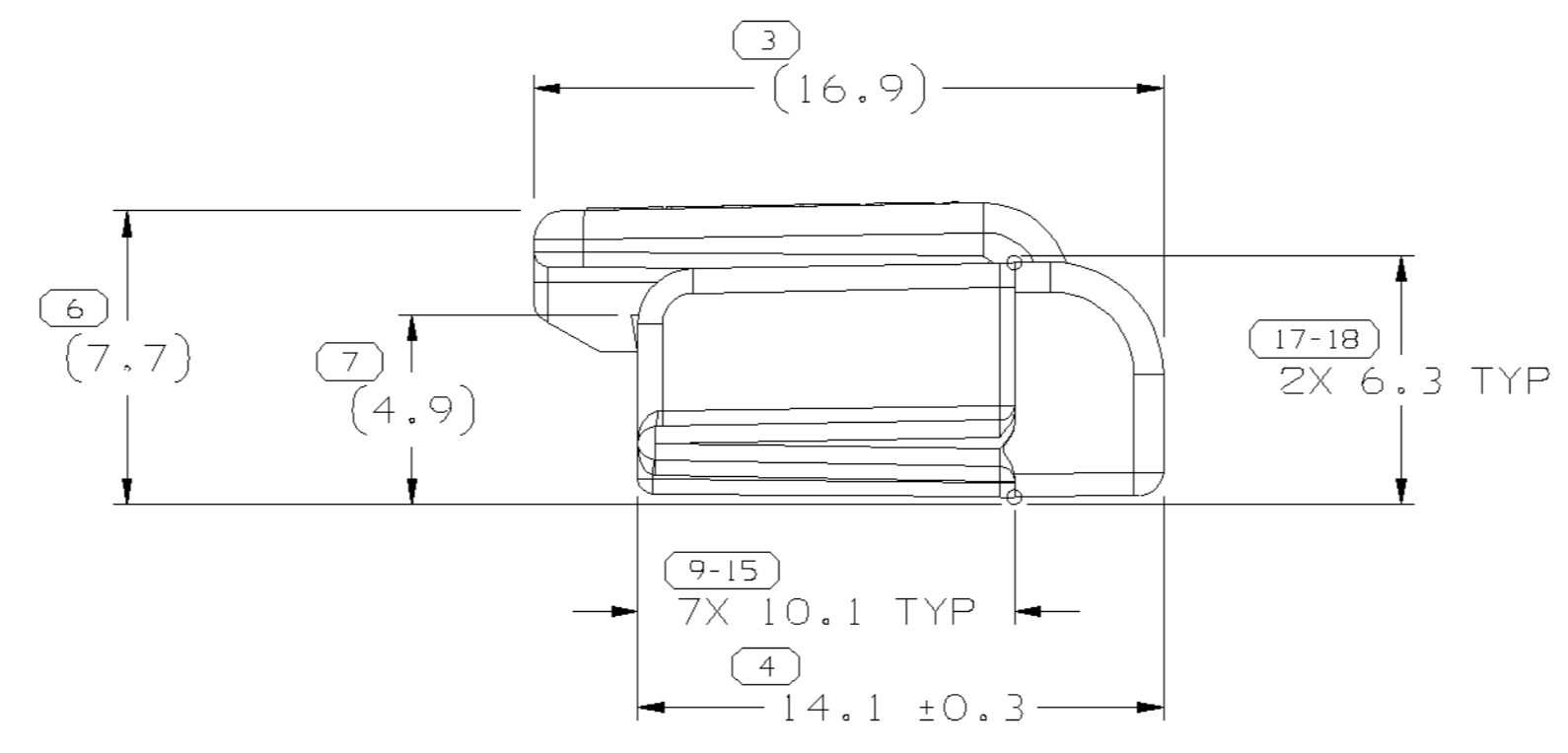
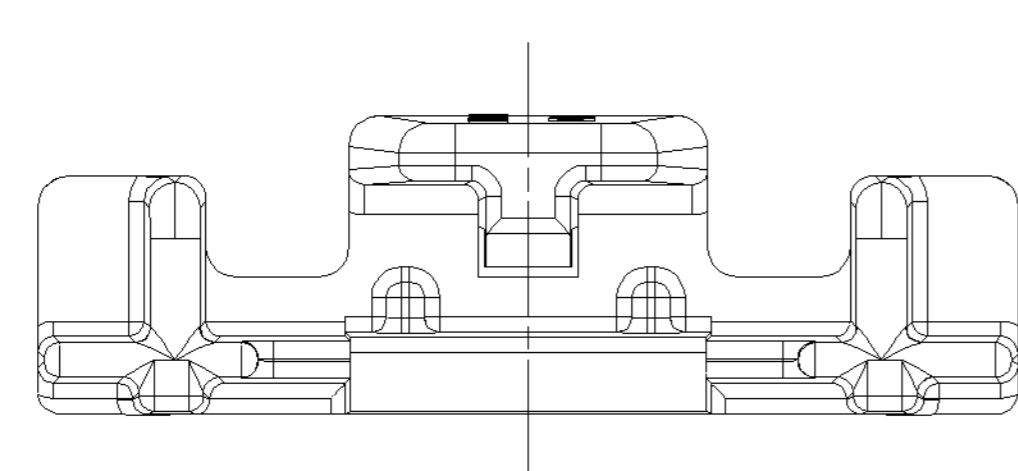
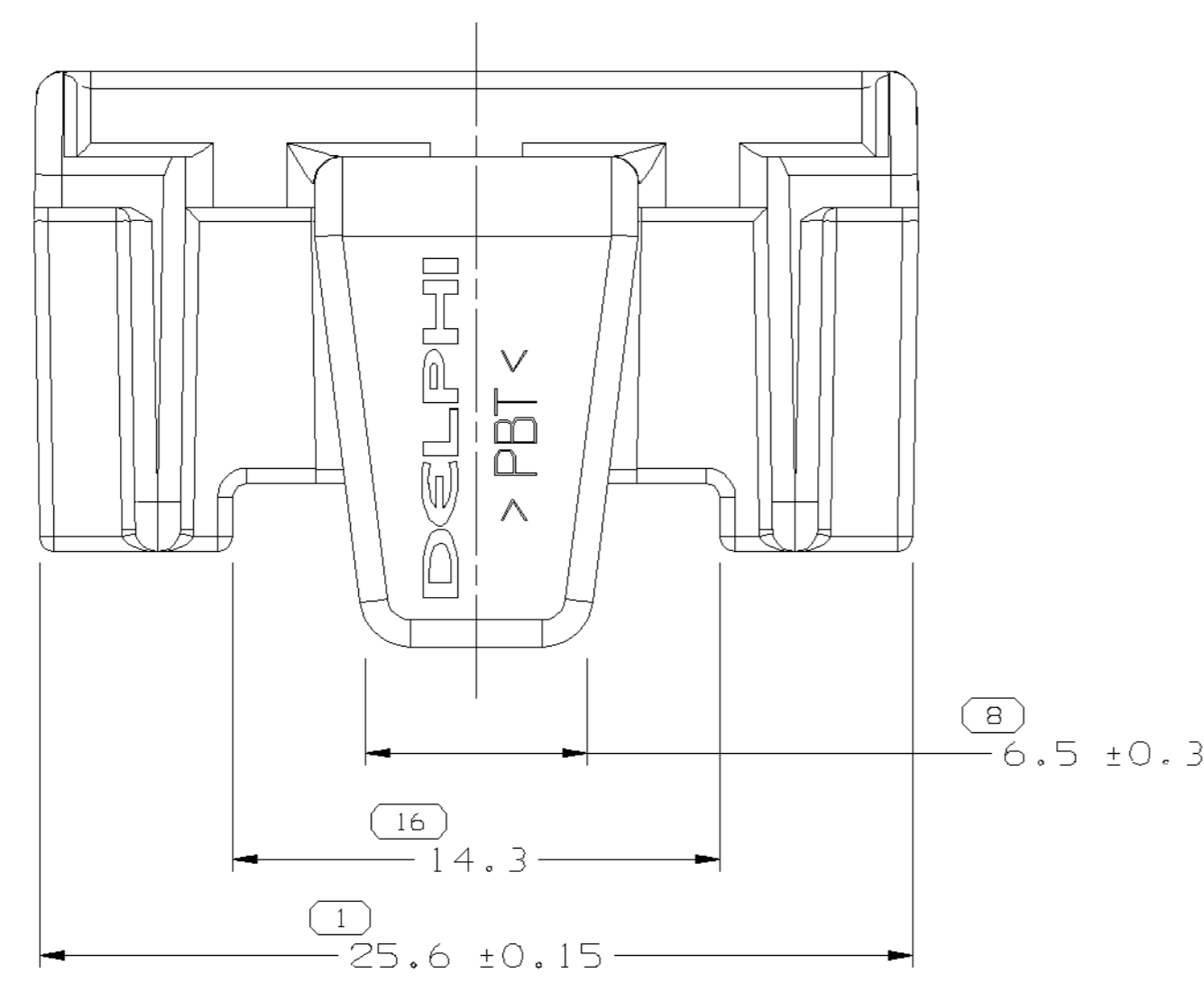


SYMBOL DEFINITION		MISSING NUMBERS	
THE NUMBER INSIDE THE SYMBOL  CORRESPONDS TO THE NUMBER ON THE INSPECTION REPORT FOR THIS DRAWING/PART NUMBER	TOTAL NO. OF SYMBOLS ON DRAWING	11	
	LAST NO. USED	18	

DWG STATUS				ZONE	REVISION HISTORY	AUTH	DR	CK	APVD
DATE	STG	REV	CHG/N/P						
12MR02	R	E5	-		MAT'L SPEC WAS R0100110, ADDED LOGO NOTE & REVISED NOTE 2	222427	RH	RH	GO



- NOTES**
- UNLESS OTHERWISE SPECIFIED AND/OR INDICATED: DIMENSIONS ARE TO FACE OF VIEW SHOWN AND AUTOMATICALLY ROUNDED BY COMPUTER FOR INSPECTION (SEE MATH MODEL FOR PRECISE DIMENSIONS). FOR ALL OTHER DIMENSIONS NOT SHOWN BUT REQUIRED FOR TOOL BUILD, SEE MATH MODEL FOR PRECISE TOOL PATH DATA.
  - MATERIAL RECYCLING CODE >PBT< PER SAE J1344. (2.3)X(0.1) RAISED CHARACTERS AS SHOWN TO BE LOCATED ON ANY EXTERIOR SURFACE. OPTIONAL CONSTRUCTION TO BE NO MATERIAL RECYCLING CODE.
  - MATING COMPONENTS OR EQUIVALENT: STRAIN RELIEF 12110155
  - (2.3)X(0.1) RAISED DELPHI CORPORATE BRAND TO BE LOCATED ON ANY EXTERIOR SURFACE, PREFERABLY VISIBLE AT FINAL ASSEMBLY. OPTIONAL CONSTRUCTION TO BE "PED" OR NO LOGO.
  - EQUIVALENT COMPONENTS INCLUDE 15304624 & 15304955

<b>DELPHI</b> Automotive Systems			
MATERIAL SPEC M4695004 PBT RED			
SUBSTANCES OF CONCERN AND RECYCLED CONTENT PER DELPHI-A 10949001			
PART DRAWING			DISTR CODE D
CODE NUMBER 6900	DWG DATE 10AP90	SCALE 5:1	
QC SPEC	STYLE	VOLUME cm <sup>3</sup> 1.082	
PART GEOMETRY 3D SOLID		UNLESS OTHERWISE SPECIFIED: THIS DOCUMENT IS IN ACCORDANCE WITH ASME Y14.5M - 1994 AS AMENDED BY THE GM GLOBAL DIMENSIONING AND TOLERANCING ADDENDUM - 1997. ALL GEOMETRIC TOLERANCES AND RELATED DATUMS APPLY RFS. RULE #1 (PERFECT FORM AT MMC) DOES NOT APPLY WHEN RELATIONSHIP BETWEEN FEATURES IS ESTABLISHED BY ORIENTATION OR LOCATION TOLERANCES. SEPARATE POSITION CALLOUTS MAY BE GAGED SEPARATELY REGARDLESS OF DATUM REFERENCES.	
CHANGE RESTRICTED NO MANUAL CHANGES		REFERENCE	DATE
COPY OF MATH DATA DO NOT SCALE		APVD1 DAVE STEELE	22JN90
METRIC UNLESS OTHERWISE SPECIFIED, ALL DIMENSIONS ARE IN MILLIMETERS		APVD2 DAVE STEELE	27JN90
THIRD ANGLE PROJECTION		APVD3 B. SERBIN	29JN90
DRAWING NAME CPA MIC/P 100W		APVD4	
SHEET NUMBER 1 OF 1		DRAWING NUMBER 12110299	
DWG STATUS STG REV N/P R E5 -		SIZE A1	

DIMENSIONAL RANGE (MM)		CHART E1								
FROM	TO	0	> 20	> 30	> 70	> 100	> 150	> 200	> 250	> 300
TOLERANCE UNLESS OTHERWISE SPECIFIED										
		±0.15	±0.2	±0.3	±0.4	±0.5	±0.6	±0.8	±1	±1.2
ANGULAR TOLERANCE ± 2°										

