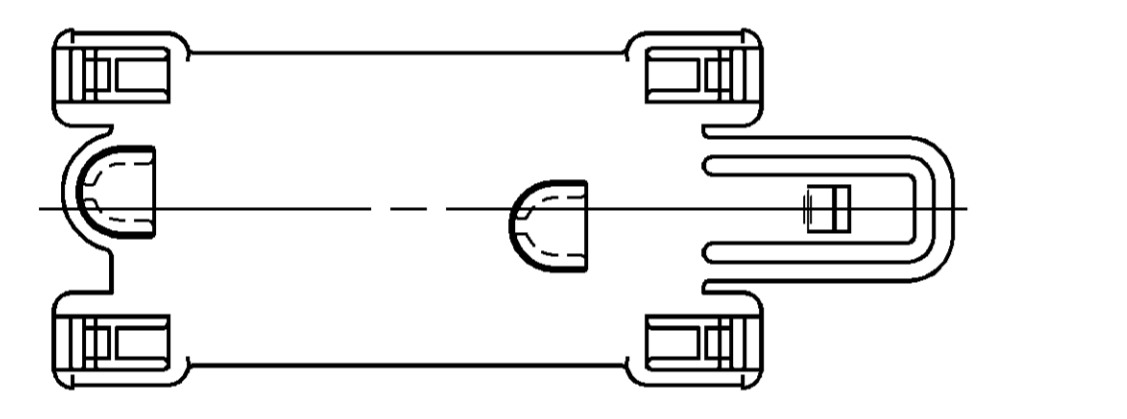
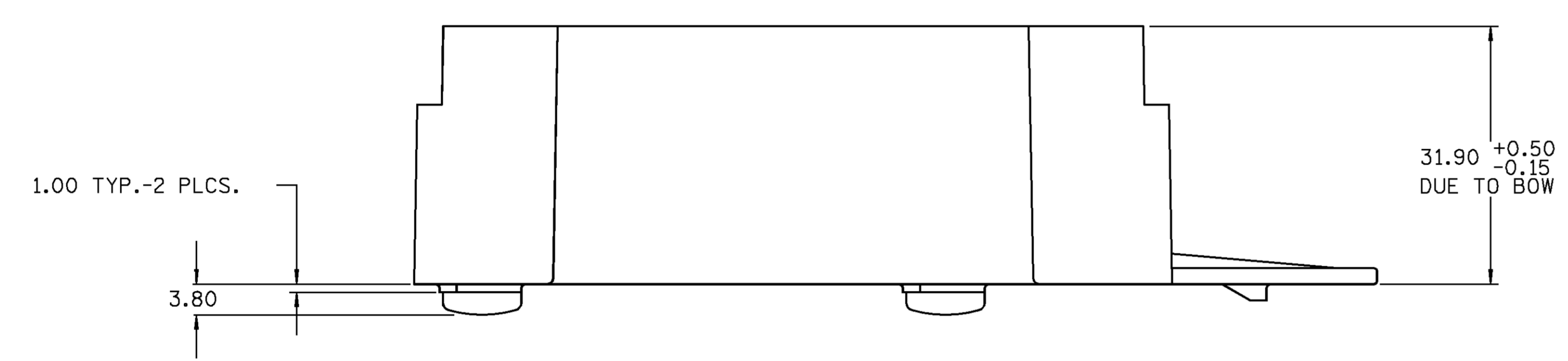
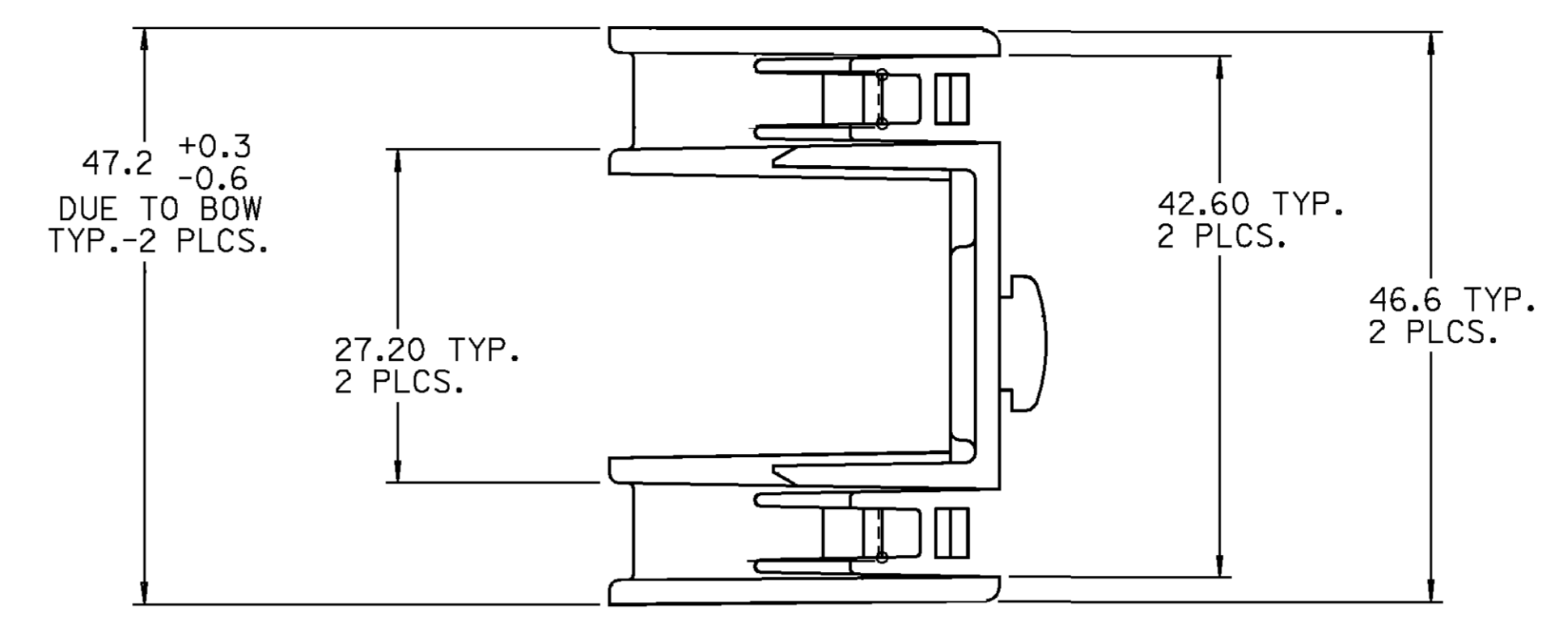
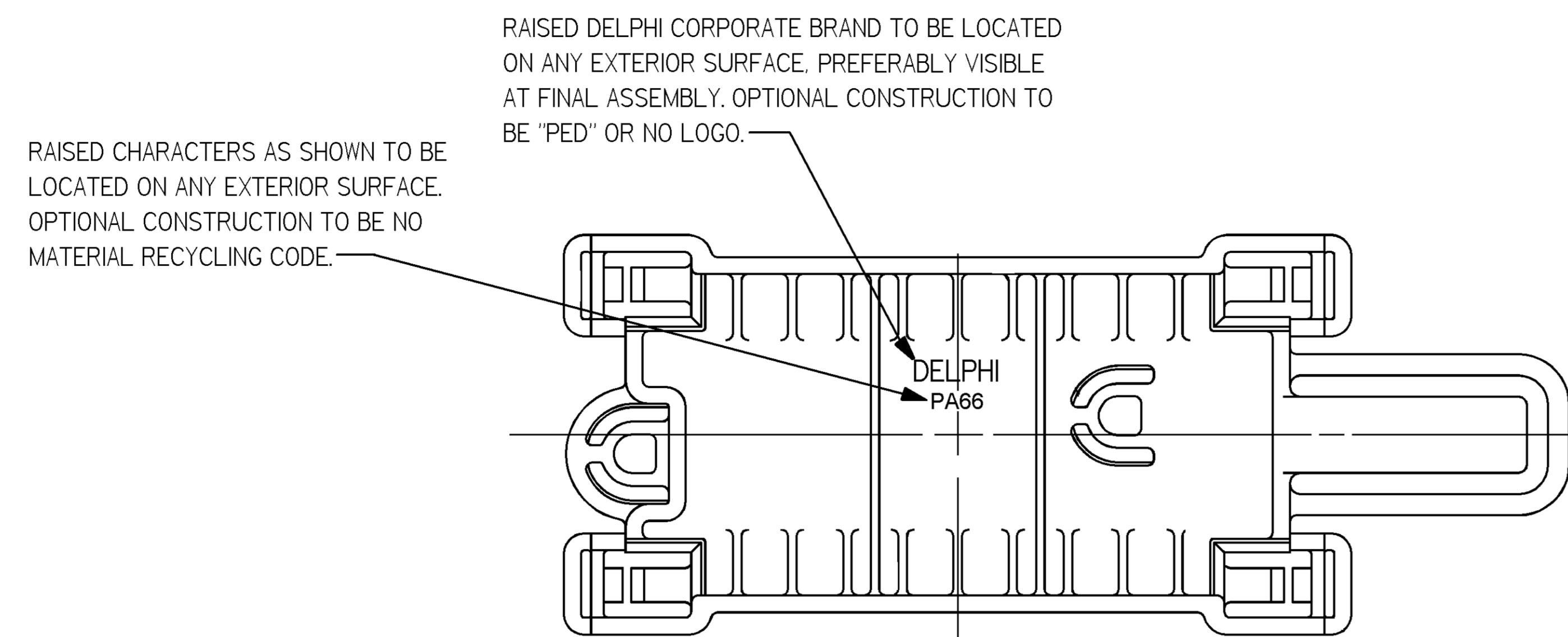
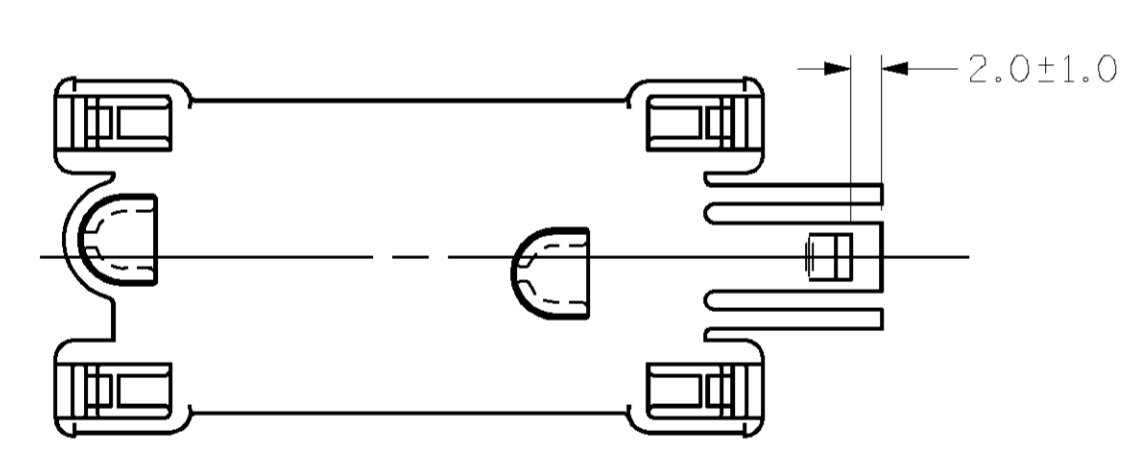


PART NO. 12176406

| ZONE | DATE | SYM | REVISION RECORD | AUTHORITY | DR | CK |
|--------|------|-----|-------------------------------|-----------|--------|----|
| 21N001 | | | ALL PARTS - CREATED PD & MATL | 217446 | KGPRVP | |
| 18AU06 | 02 | | SPEC WAS R0067547 PA6- BLK | | | |
| | | | 12176405 - MATERIAL SPEC | | | |
| | | | WAS M3592001 | 283830 | TD | TD |

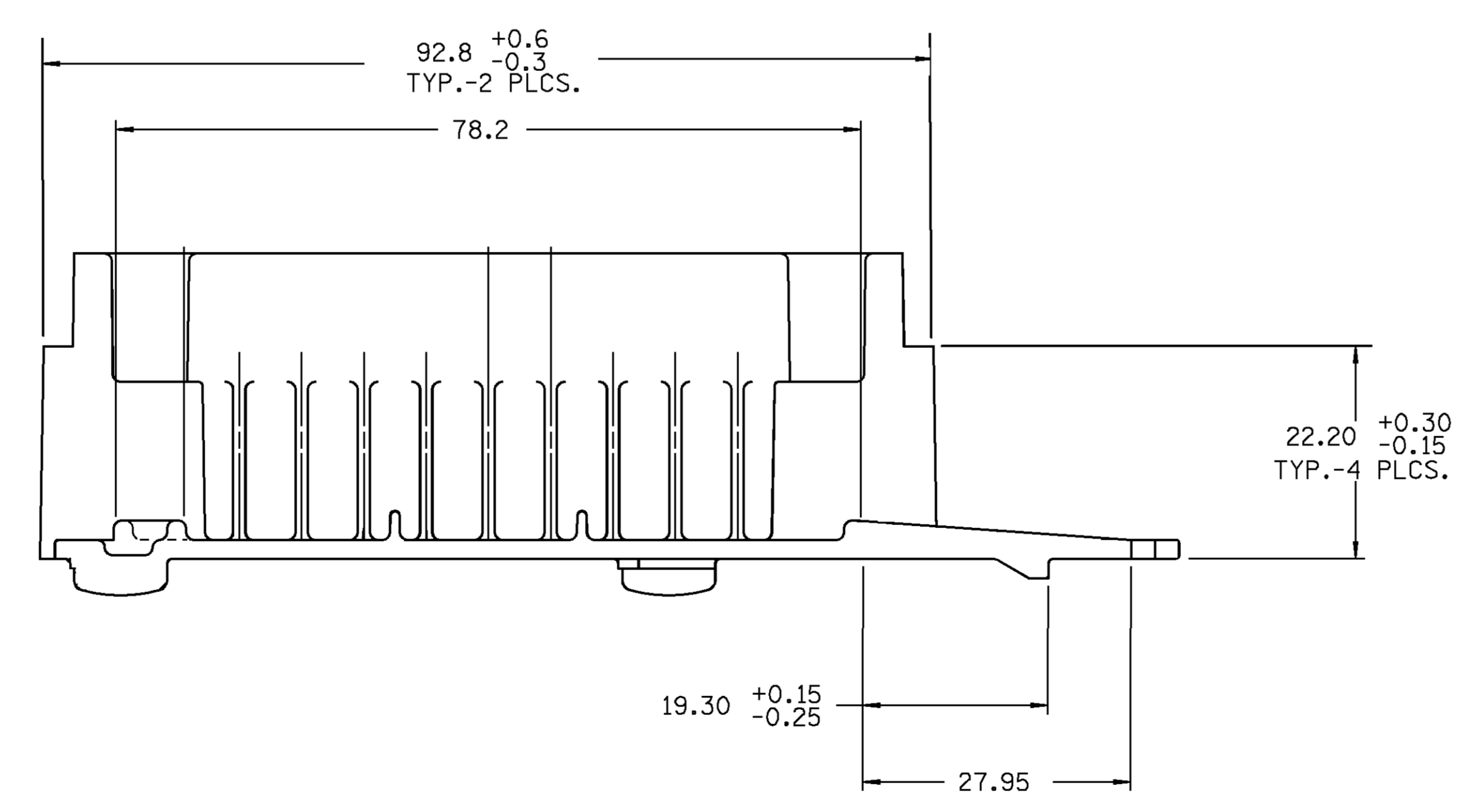
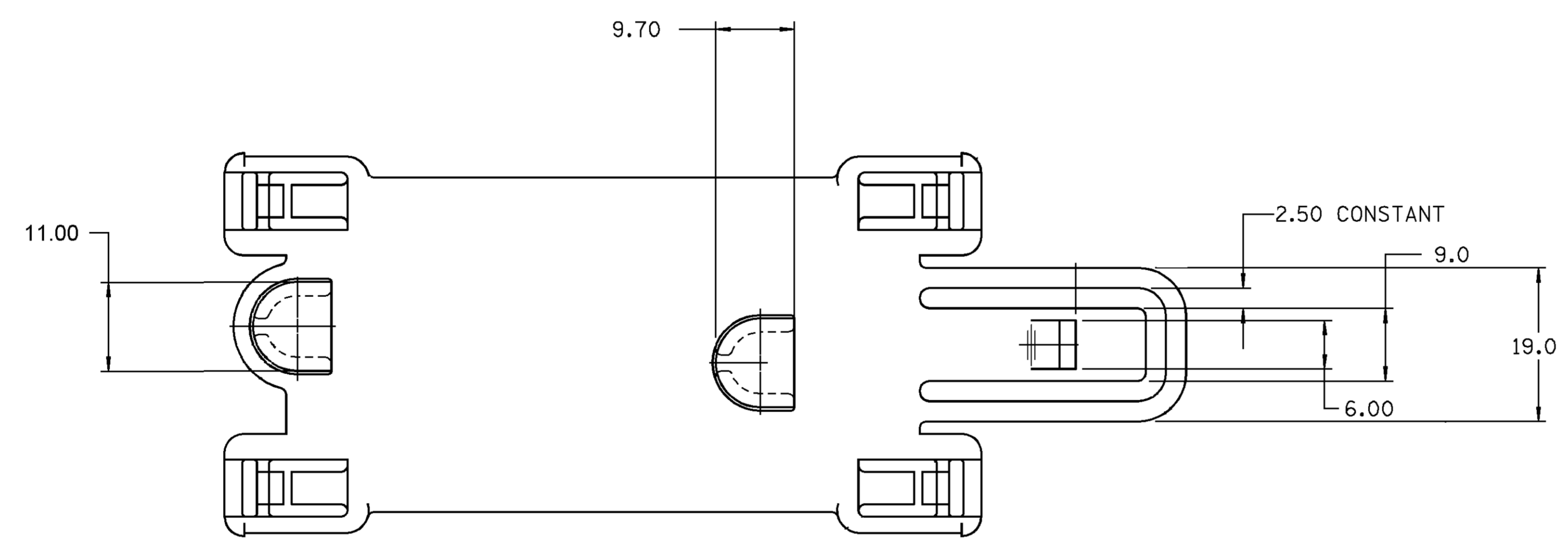


TYPE-101



TYPE-102

(SAME AS TYPE 101 EXCEPT AS SHOWN)



- NOTES
1. ALL RADII 0.80, UNLESS OTHERWISE SPECIFIED.
 2. DIMENSIONS ARE TO FACE OF VIEW SHOWN UNLESS OTHERWISE INDICATED.
 3. 1° DRAFT ON ALL SURFACES UNLESS OTHERWISE SPECIFIED.
 4. MOUNTING FEATURES ARE IDENTICAL, EXCEPT AS SHOWN.
 5. LIKE LOCKING FEATURES ARE IDENTICAL.
 6. THIS PART IS NOT CONTROLLED FOR AUTOMATIC FEEDING.
 7. THIS PART MATES TO 12077571 CONVENIENCE CENTER, OR EQUIVALENT.
 8. SEALING CODE 0.

PART NO. 12176406

PART NO. 12176406

| PART NUMBER | REV | STATUS | TYPE | MAT'L SPEC |
|-------------|------|--------|------|---------------------------|
| 12176405 | 02AA | | 102 | 12084910 |
| 12084910 | 04 | | 101 | M3592001 - PA66 HS IM BLK |

P.I.D. (SIZE)

THIRD ANGLE PROJECTION

FILE SPEC: *****
DIMENSION SPECIFICATION*****
*****SYTIME*****

METRIC
DIMENSIONS ARE IN MILLIMETERS UNLESS OTHERWISE SPECIFIED.

CODE NO. 6900
TOLERANCE UNLESS OTHERWISE SPECIFIED
DECIMALS: ONE PLACE ± 0.3, TWO PLACE ± 0.15
ANGULAR ± 2°

DWG DATE 28N094 SCALE 2:1
DR. K. GUILLEN DATE 21N001
EST. NO. R. VILLANUEVA DATE 21N001
REFERENCE NO. APPR. J. HORIUCHI DATE 23N001

MATERIAL SPEC. SEE CHART

NAME TAXI BASE - 1 MODULE

PART NO. 12176406 SIZE E

PACKARD ELECTRIC DIVISION
GENERAL NUMBER, CHG

PACKARD ELECTRIC