

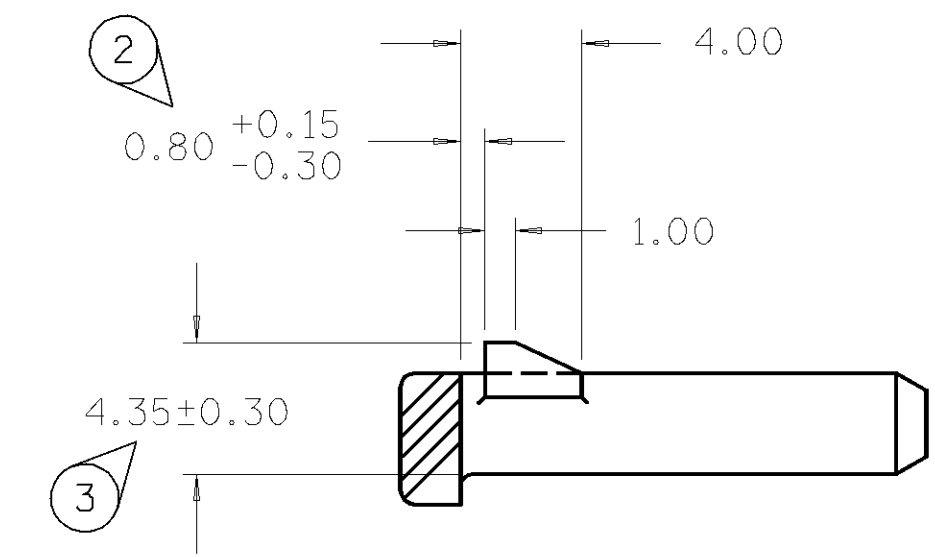
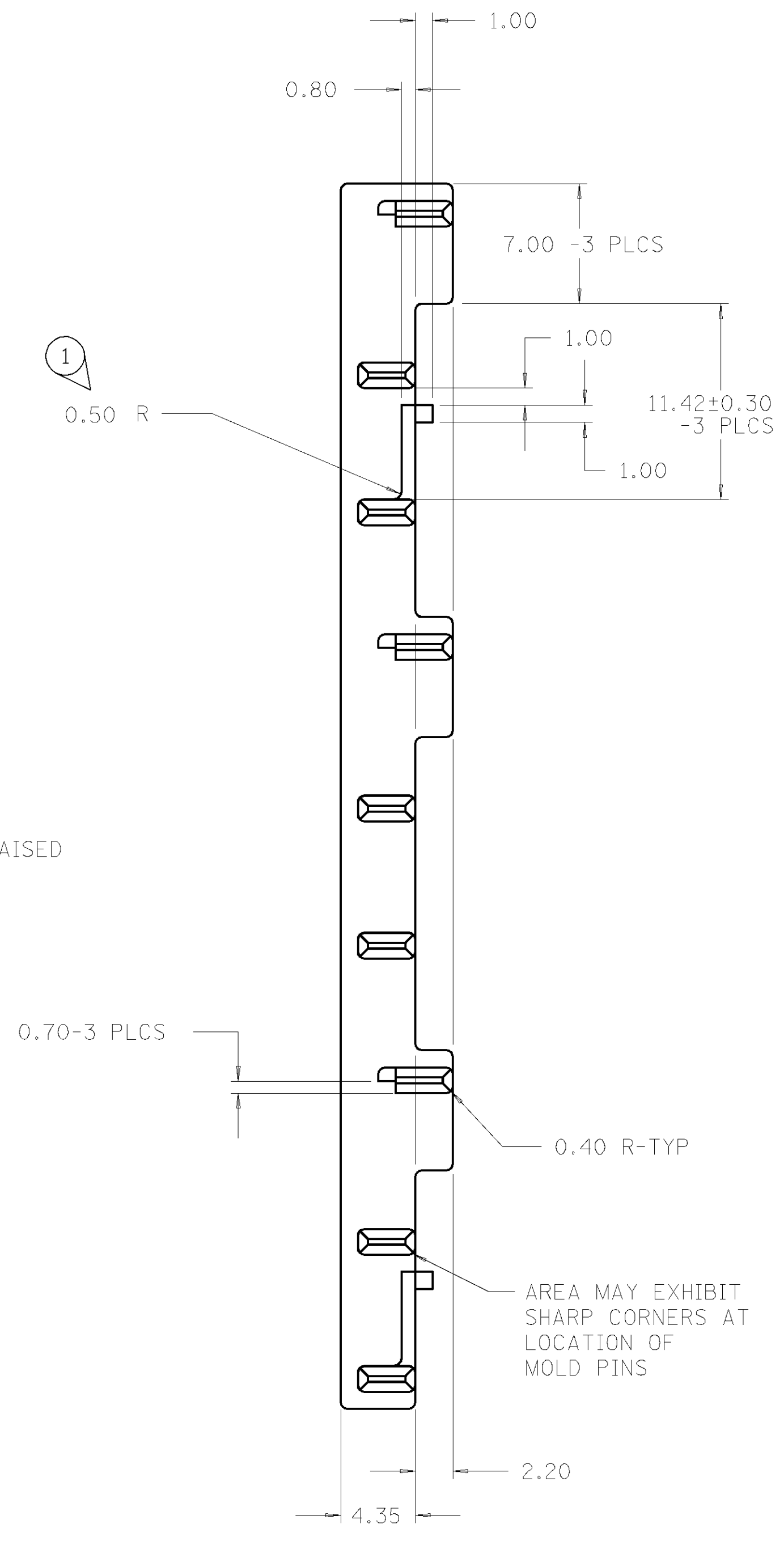
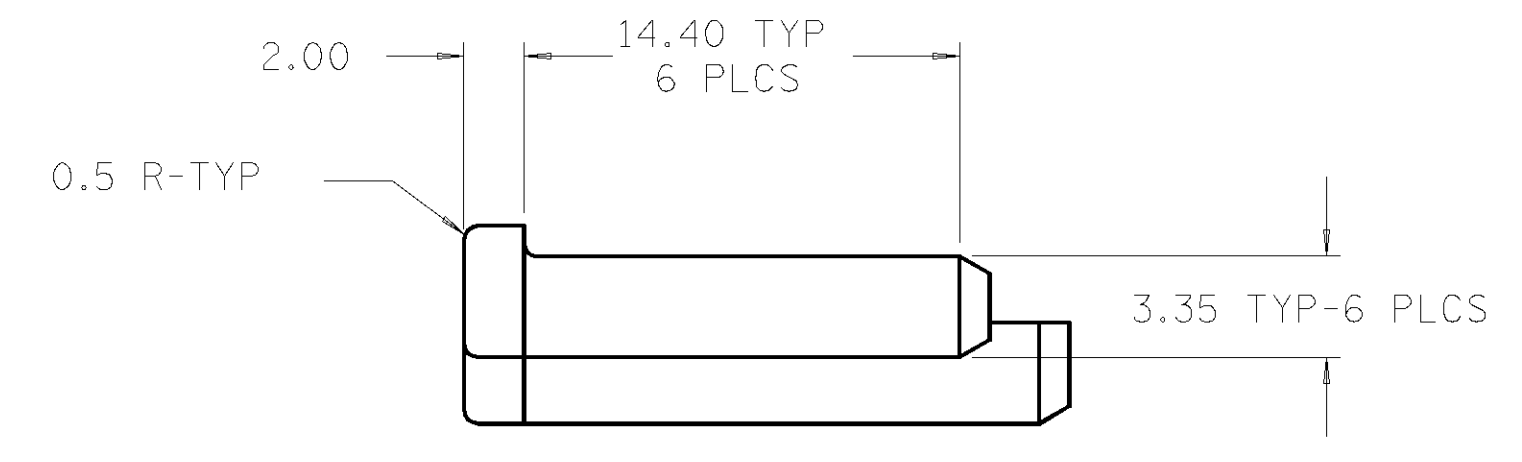
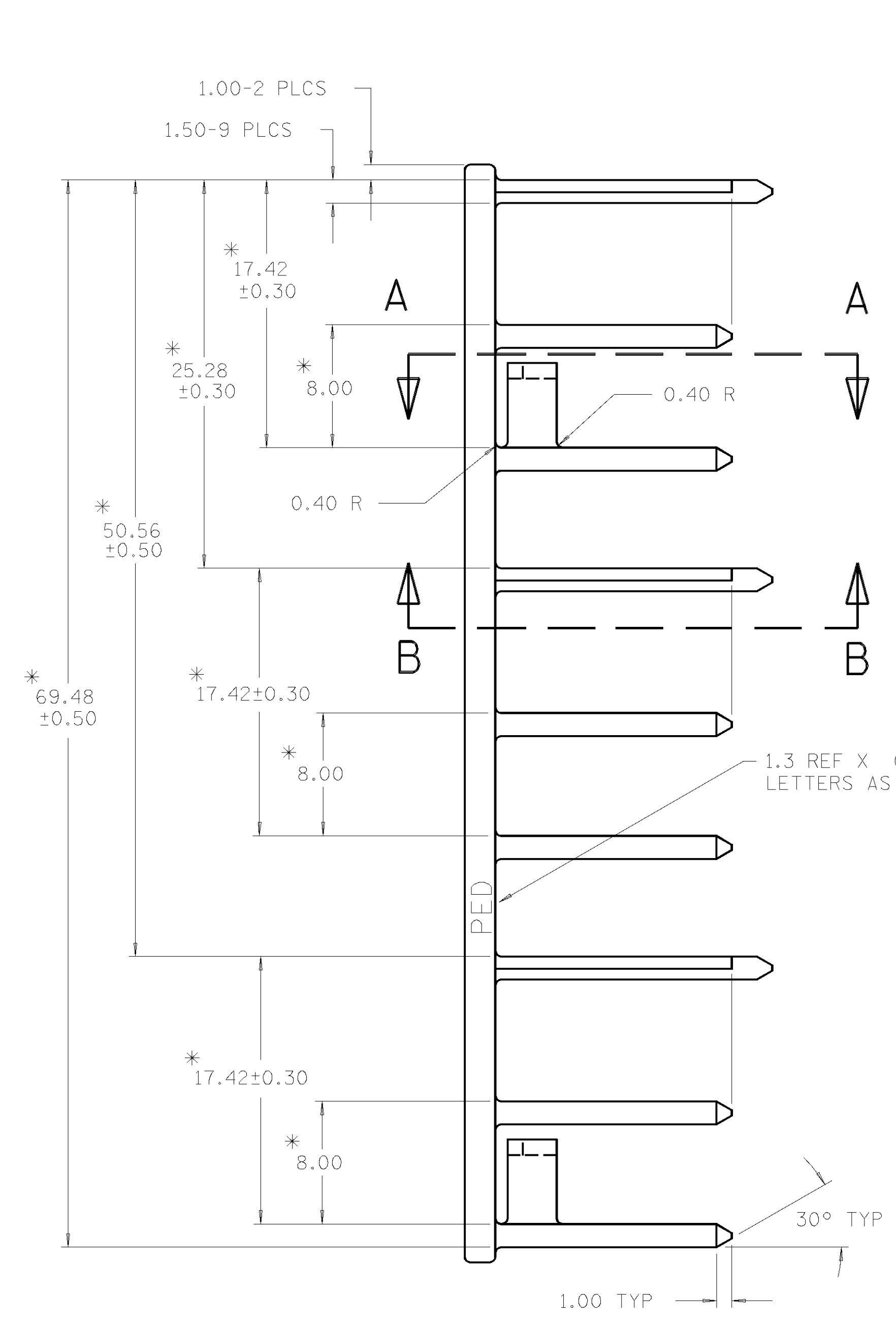
THIS DRAWING AND DESIGN HEREON CONSTITUTE A PROPRIETARY DESIGN OF PACKARD ELECTRIC DIVISION AND IS NOT TO BE DUPLICATED OR REPRODUCED WITHOUT AUTHORITY OF PACKARD ELECTRIC DIVISION.

DO NOT SCALE

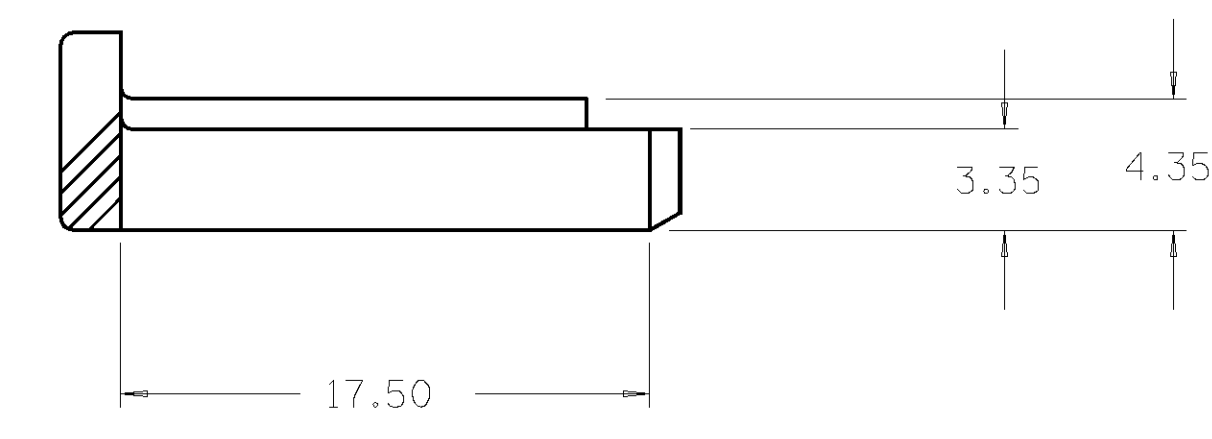
PART NO. 1207 7572

PART NO. 1207 7572

PACKARD ELECTRIC DIVISION  
MOTORS CORPORATION  
GENERAL WARREN, OHIO



SECTION A-A  
(TYPICAL - 2 PLCS)



SECTION B-B  
(TYPICAL - 3 PLCS)

- NOTES
1. ALL RADII 0.40 UNLESS OTHERWISE SPECIFIED.
  2. DIMENSIONS ARE TO FACE OF VIEW SHOWN UNLESS OTHERWISE INDICATED.
  3. 1° DRAFT ON ALL SURFACES, UNLESS OTHERWISE SPECIFIED.
  4. THIS PART MATES WITH CONV CTR 12077571 OR EQUIVALENT.
  5. THIS PART IS NOT CONTROLLED FOR AUTOMATIC FEEDING.
  6. FOR POLYESTER IN-PROCESS MOISTURE AND PART DEGRADATION LIMITS SEE ESO-1502.
  7. LIKE FEATURES ARE IDENTICAL.
  8. \* DIMENSIONS TO BE MEASURED AT BASE OF PART WITH BASE HELD IN FLAT, STRAIGHT POSITION.
  9. ○ DENOTES DIMENSIONS AND CHARACTERISTICS THAT ARE IMPORTANT TO THE FUNCTION AND/OR PROCESSING OF THE PART. IT DOES NOT NECESSARILY INDICATE AN SPC DIMENSION. THIS DRAWING HAS 3 SNOWCONES.

DATE	SYM	REVISION RECORD	AUTHORITY	DR	CK
08AP88	A	PART NO. WAS PED14661 & RELEASED	880005	DP	HH
27MY88	B	REVISED LOCK FEATURES & MAT'L WAS			
		MX-13194 ACETAL (NAT)	120332	DP	CDH
21FE89	B1	M-2348-005 WAS MX-13614 IN MATERIAL,			
		REVISED DIMS TO PLCS AND ADDED "PED"	124017	FDS	
29JA96	B2	REVISED MAT'L WAS 12077572	168431	RLB	RLB

		FILE SPEC: ****USER*** DGN#SPECIFICATION***** *****SYTIME*****
THIRD ANGLE PROJECTION		<b>METRIC</b> DIMENSIONS ARE IN MILLIMETERS UNLESS OTHERWISE SPECIFIED.
CODE NO. 6900	TOLERANCE UNLESS OTHERWISE SPECIFIED DECIMALS: ANGULAR ±2° ONE PLACE ±0.3 TWO PLACE ±0.15	
Q.C. -C-4004	DWG. DATE 18FE88 SCALE 4:1 DR. John M. Dova 18FE88	
EST. NO.	CK. HENRY HOKE DATE 28AP88	APPR. S. NORLING DATE 28AP88
REFERENCE NO.	APPR. R. PETROSKY DATE 28AP88	MATERIAL SPEC. R0100111 IMPACT MOD. POLYESTER (BLUE)
NAME COMB CONV CTR		
PART NO. 1207 7572	SIZE D	1 PACKARD ELECTRIC