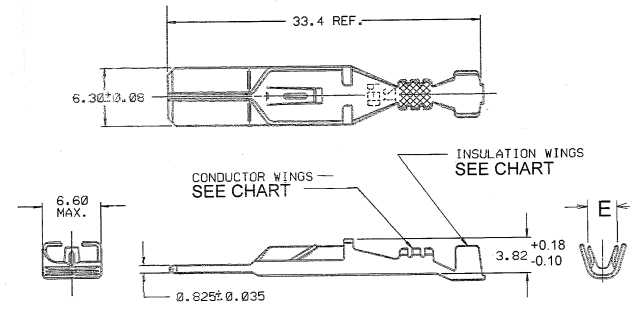


DWG STATUS				ZONE		REVISION HISTORY		AUTH	DR	APVD	APVD
DATE	STG	REV	N/P	CHG							
27NO06	R	09	-	-			ALL ACTIVE PARTS - RELEASED TAXI PART DRAWING	287070	TLD	TLD	MSO
18DEC06	R	10	-	-			ALL ACTIVE PARTS - REVISED MATERIAL SPEC	286837	PCP	PCP	BDG



- NOTES
- UNLESS OTHERWISE SPECIFIED AND/OR INDICATED:  
DIMENSIONS ARE TO FACE OF VIEW SHOWN AND AUTOMATICALLY ROUNDED BY COMPUTER FOR INSPECTION (SEE MATH MODEL FOR PRECISE DIMENSIONS). FOR ALL OTHER DIMENSIONS NOT SHOWN BUT REQUIRED FOR TOOL BUILD, SEE MATH MODEL FOR PRECISE TOOL PATH DATA.
  - REFERENCE MATING COMPONENTS OR EQUIVALENT:  
TERMINAL 12015832

PART NO	REV	N/P	STATUS	MAT'L SIZE	MAT'L SPEC	PART NO	REV	N/P	STATUS	MAT'L SPEC	SIZE MM <sup>2</sup>	CABLE	DIA	ID	TYPE	E <sub>0.4</sub>
				0.381 X 42.47		12186095	A1			TIN BRASS-SILVER PLATED	5.0-3.0		5.25-3.49	11	103	4.6
				0.381 X 42.47		12066493	C1			TIN BRASS-TIN PLATED	5.0-3.0		5.25-3.49	11	103	4.6
12066278	A1			0.381 X 42.47	BRASS	12066454	B2			TIN BRASS-TIN PLATED	0.50-0.35		2.51-1.84	21	101	2.6/2.2
				0.381 X 42.47		12052826	E1			TIN BRASS-TIN PLATED	3.0		3.20-3.04	12	103	4.6
				0.381 X 42.47		12033972	E1			TIN BRASS-TIN PLATED	TWO 0.8-0.5		3.12-2.03	219	103	3.7
				0.381 X 42.47		12020365	F1			TIN BRASS-TIN PLATED	TWO 3.0		4.67-3.49	212	102	6.6
12020390	B		OBSOLETE	0.381 X 42.47	M-1403336	12020127	D		OBSOLETE	F-1403336 ▲	5.0-3.0		5.25-3.49	11	102	4.6
12020391	D		OBSOLETE	0.381 X 42.47	M-1403336	12020126	E1			TIN BRASS-TIN PLATED	2.0-1.0		3.97-2.48	15	102	3.7
				0.381 X 42.47		12020125	G1			TIN BRASS-TIN PLATED	0.8-0.5		3.12-2.03	19	101	3.2

DWG TYPE: PART DRAWING

STYLE: [ ]

VOLUME (DWG): [ ] DISTR CODE: **D**

UNLESS OTHERWISE SPECIFIED:  
THIS DOCUMENT IS IN ACCORDANCE WITH ASME Y14.5M-1994 AS AMENDED BY THE 2003 GLOBAL DIMENSIONING AND TOLERANCING ADDENDUM (Y14.5M-2003). SEPARATE MATTERS OF REFERENCE MAY BE WAGED SEPARATELY REGARDLESS OF DATUM REFERENCES.

ALL DIMENSIONS ARE IN MILLIMETERS

REFERENCE: [ ]

**DELPHI**  
DELPHI PACKARD ELECTRIC SYSTEMS  
WARREN, OH

DR	DATE
APVD1 TERRI DAVIS	27NO06
APVD2 TERRI DAVIS	27NO06
APVD3 MICHAEL OROLOGAS	28NO06
APVD4	
APVD5	

SUBSTANCES OF CONCERN AND RECYCLED CONTENT PER DELPHI 10949001

MATERIAL: SEE CHART

DRAWING NAME: TAXI

DRAWING NUMBER: 12010124

SIZE	SCALE	FRAME NO	SHEET NO	STG	REV	N/P
A1	NONE	1 OF 1	1 OF 1	R	10	-

TOLERANCE UNLESS OTHERWISE SPECIFIED:  
DECIMAL: ±0.3  
ONE PLACE: ±0.15  
ANGULAR: ±2°

THIRD ANGLE PROJECTION

DO NOT SCALE

USE MATH DATA

CAD NX