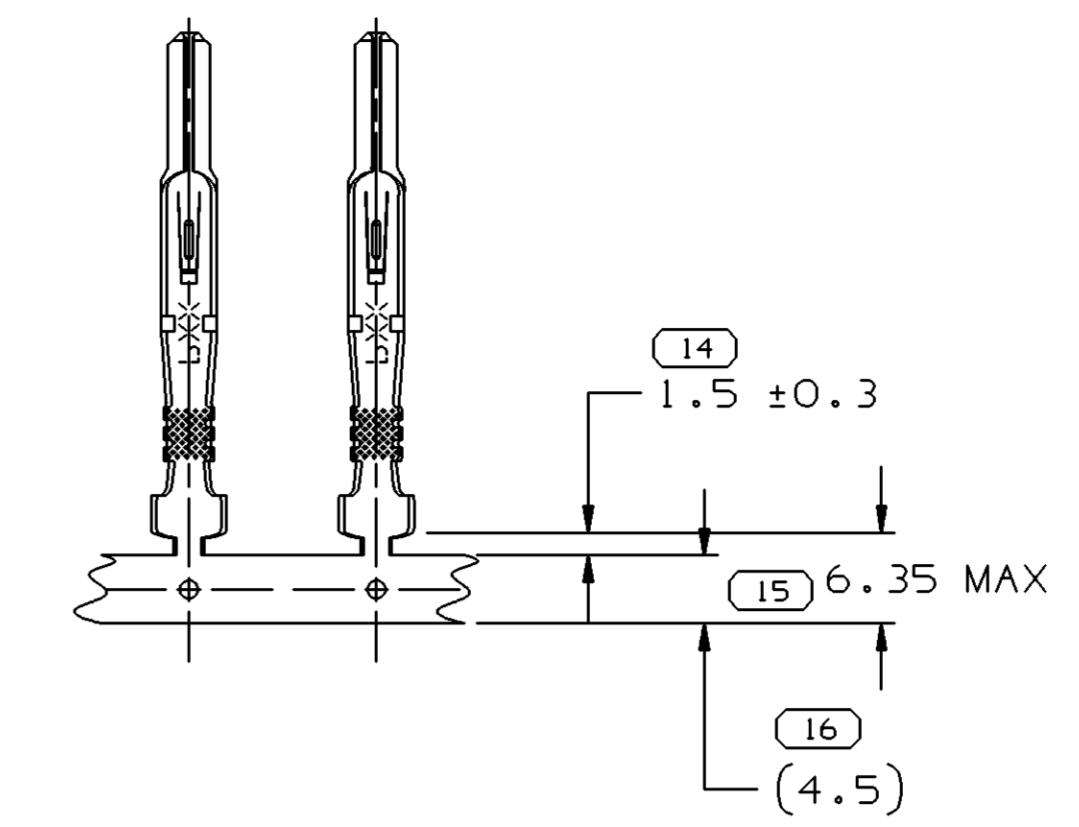
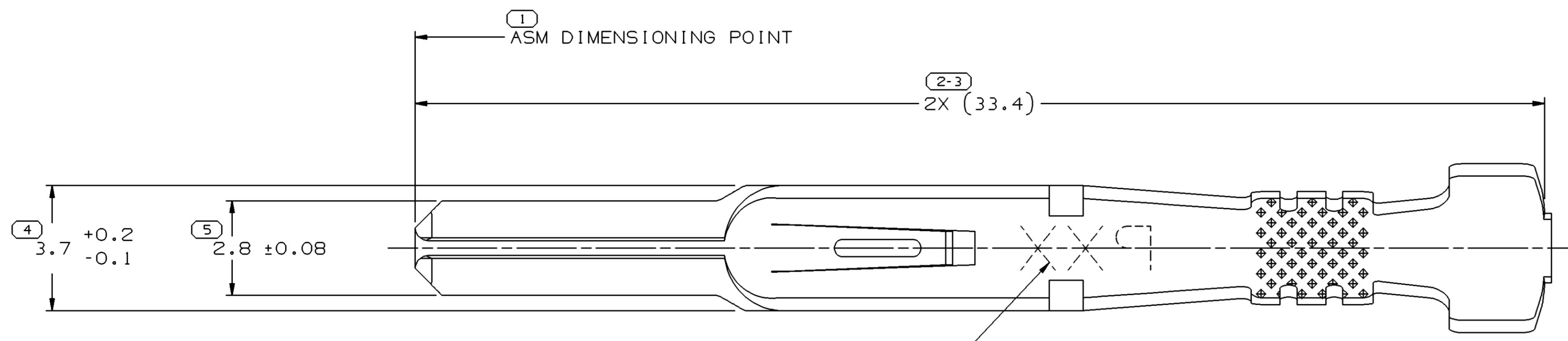
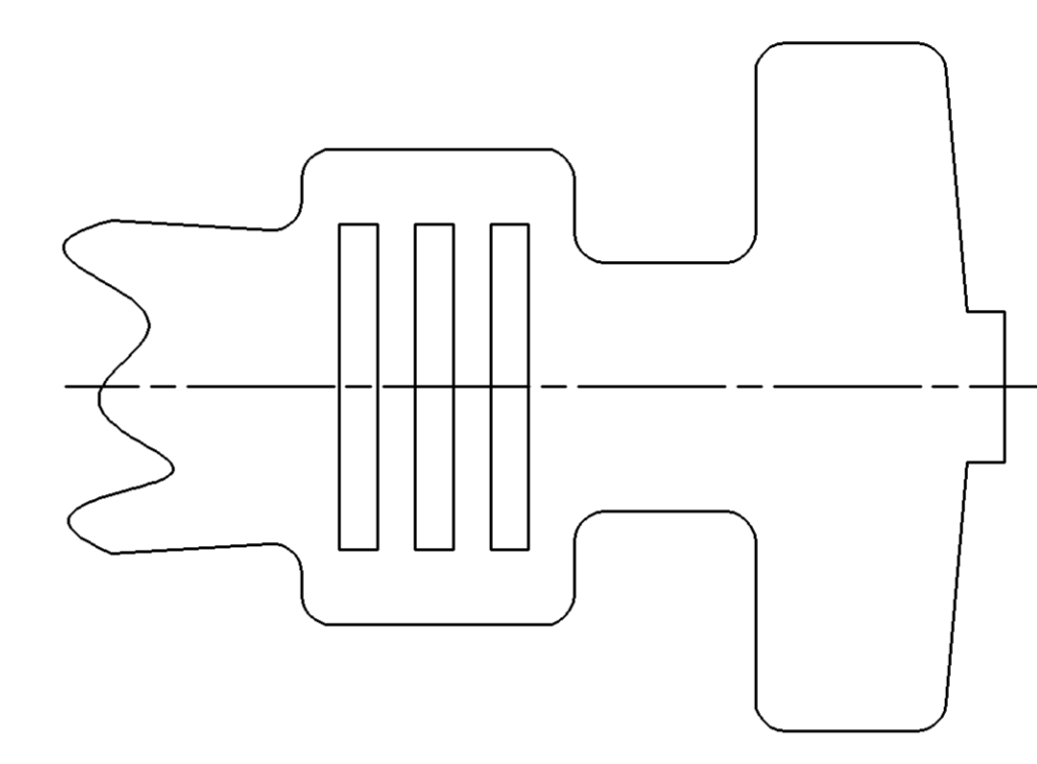


SYMBOL DEFINITION		MISSING NUMBERS	
THE NUMBER INSIDE THE SYMBOL CORRESPONDS TO THE NUMBER ON THE INSPECTION REPORT FOR THIS DRAWING/PART NUMBER	TOTAL NO. OF SYMBOLS ON DRAWING	15	
	LAST NO. USED	17	

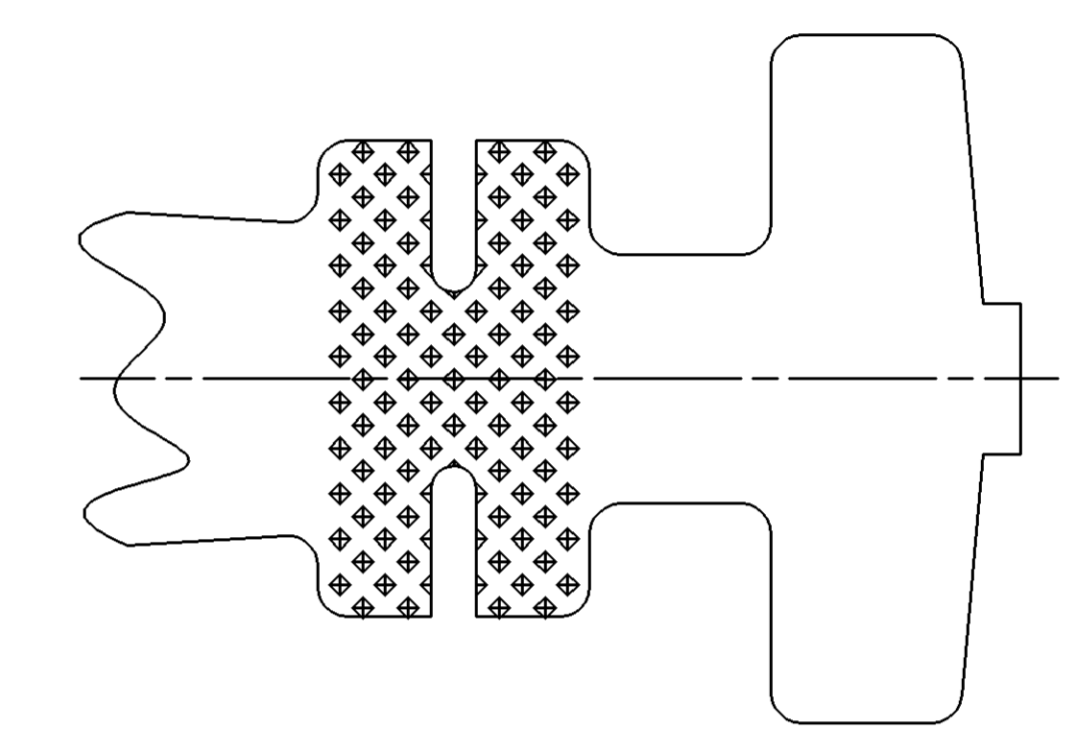
DATE	STG	REV	N/P	CHK	ZONE	REVISION HISTORY	AUTH	DR	APVD	APVD
14AP97	R	-	-	-	-	ALL PARTS - REDRAWN WITH NO PHYSICAL CHANGE - NO REV UPDATE REQ'D	970007	PHC	RRS	-
14AP97	R	-	-	-	-	15318038, 15318039 AND 15318040 - RELEASED TO REV "A"	970005	PHC	RRS	-
15NO98	R	-	-	-	-	ALL PARTS - REDRAWN TO PD AND REVISED - REV LEVELS ADVANCED	190293	JTC	JHV	-
01DE03	R	01	-	-	-	ALL ACTIVE PARTS - ADDED VIEW TYPES SPECIFIC TO PART	249493	JS	JS	TM



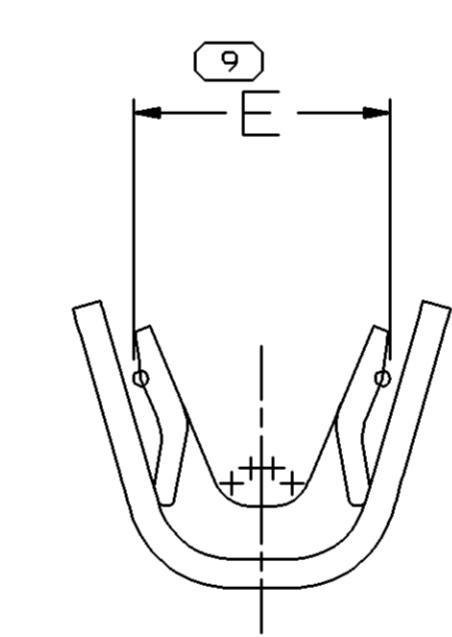
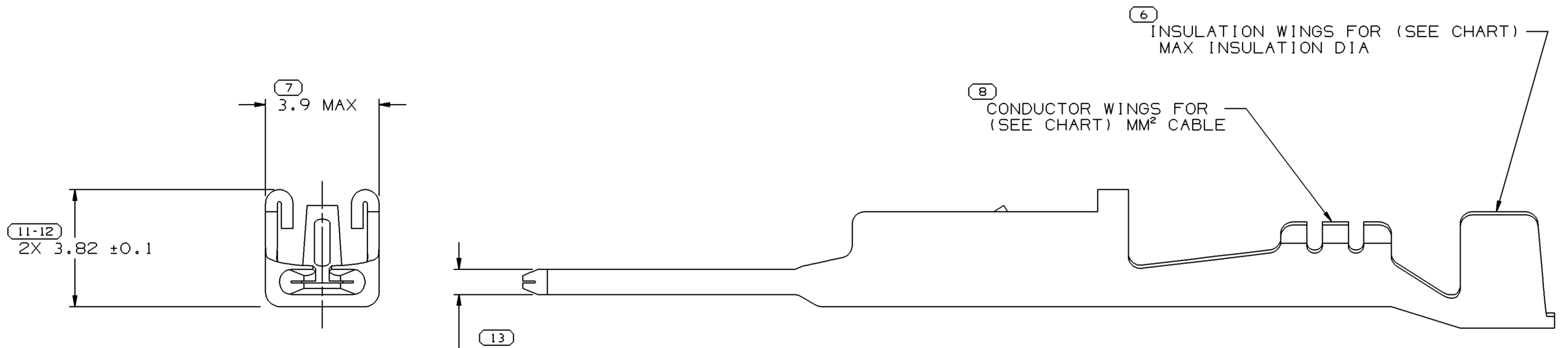
CARRIER STRIP VIEW
SCALE 2:1



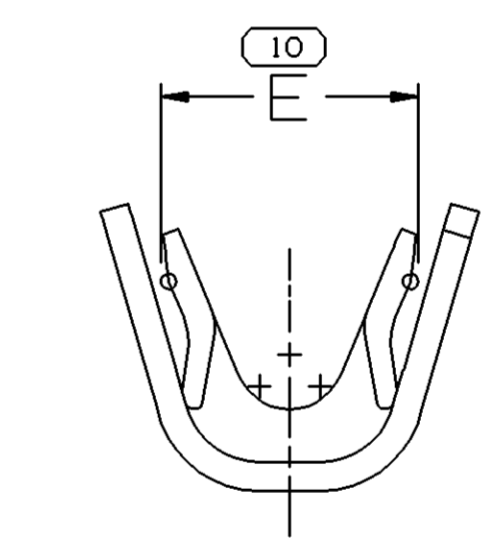
TYPE 102
SAME AS TYPE 101
EXCEPT AS SHOWN



TYPE 103
SAME AS TYPE 101
EXCEPT AS SHOWN



WING CONST I



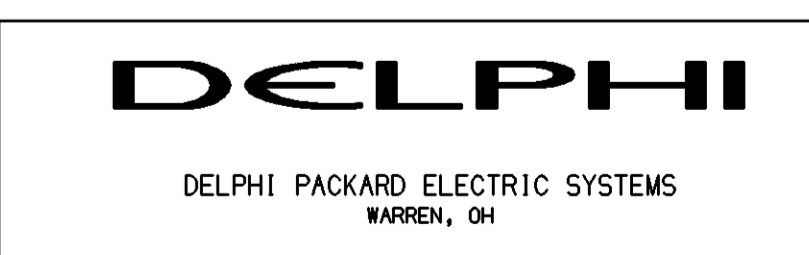
WING CONST II

TYPE 101

NOTES

- UNLESS OTHERWISE SPECIFIED AND/OR INDICATED: DIMENSIONS ARE TO FACE OF VIEW SHOWN AND AUTOMATICALLY ROUNDED BY COMPUTER FOR INSPECTION. (SEE MATH MODEL FOR PRECISE DIMENSIONS.) FOR ALL OTHER DIMENSIONS NOT SHOWN BUT REQUIRED FOR TOOL BUILD, SEE MATH MODEL FOR PRECISE TOOL PATH DATA.
- MATING COMPONENTS OR EQUIVALENT: TERMINAL 12015823

PART NO	REV	STATUS	MAT'L SIZE	MAT'L SPEC	PART NO	REV	STATUS	MAT'L SPEC	CABLE	ID	DIA	TYPE	WING CONST	Etc.
-	-	-	0.381X42.47		15318040	A2		P3607336 425 TIN BRS 1/2 HD SN PLTD	2-1	15N	3.97-2.48	102	I	3.7
-	-	-	0.381X42.47		15318039	A2		P3607336 425 TIN BRS 1/2 HD SN PLTD	0.5-0.35	21N	-	101	II	2.4±0.2
-	-	-	0.381X42.47		15318038	A2		P3607336 425 TIN BRS 1/2 HD SN PLTD	TWO 0.35	222N	2-1.35	101	II	3.6±0.2
-	-	-	0.381X42.47		12129498	B2		P3607336 425 TIN BRS 1/2 HD SN PLTD	3-2	13	3.8-2.45	103	I	4
-	-	-	0.381X42.47		12124085	A2		P3607336 425 TIN BRS 1/2 HD SN PLTD	0.8-0.5	19	3.12-2.03	101	I	3.2
12124106	A2		0.381X42.47	PM001403 336 260 CART BRS 1/2 HD	12084586	B2		P3607336 425 TIN BRS 1/2 HD SN PLTD	5-3	11	5.24-3.49	103	I	4.6
12066270	A2		0.381X42.47	PM001403 336 260 CART BRS 1/2 HD	12066271	B2		P3607336 425 TIN BRS 1/2 HD SN PLTD	0.5-0.35	21	-	101	II	2.4±0.2
12078175	B1	OBSOLETE	0.381X42.47	PM001403 336 260 CART BRS 1/2 HD	12052825	E1	OBSOLETE	P3607336 425 TIN BRS 1/2 HD SN PLTD	3	12	3.2-3.04	103	I	4.6
12020389	E2		0.381X42.47	PM001403 336 260 CART BRS 1/2 HD	12034047	D2		P3607336 425 TIN BRS 1/2 HD SN PLTD	0.8-0.5	19	3.12-2.03	101	I	3.2
-	-	-	0.381X42.47		12020782	F2		P3607336 425 TIN BRS 1/2 HD SN PLTD	TWO 0.35	222	2-1.35	101	II	3.6±0.2
-	-	-	0.381X42.47		12020781	E1	OBSOLETE	F1403336 260 CART BRS 1/2 HD SN/CU PLTD	0.35	22	2-1.35	101	II	2.2±0.2
12078176	A1	OBSOLETE	0.381X42.47	PM001403 336 260 CART BRS 1/2 HD	12020117	C1	OBSOLETE	F1403336 260 CART BRS 1/2 HD SN/CU PLTD	5-3	11	5.24-3.49	102	I	4.6
12020388	B2		0.381X42.47	PM001403 336 260 CART BRS 1/2 HD	12020116	D2		P3607336 425 TIN BRS 1/2 HD SN PLTD	2-1	15	3.97-2.48	102	I	3.7
-	-	-	0.381X42.47		12020115	C1	OBSOLETE	F1403336 260 CART BRS 1/2 HD SN/CU PLTD	0.8-0.5	19	3.12-2.03	101	I	3.2



DELPHI		DATE	
DR H. CASTRILLON	14AP97	APVD1 H. CASTRILLON	14AP97
APVD2 R. RAMOS S.	14AP97	APVD3 DOUG CUMMINGS	02MY97
APVD4		APVD5	
SUBSTANCES OF CONCERN AND RECYCLED CONTENT PER DELPHI 10949001			
DRAWING NAME: TAXI TERM M/P 280			
DRAWING NUMBER: 12020114			
SIZE: A0	SCALE: 10:1	FRAME NO: 1 OF 1	SHEET NO: 1 OF 2

UNLESS OTHERWISE SPECIFIED

THIS DOCUMENT IS IN ACCORDANCE WITH ASME Y14.5M-1994 AS AMENDED BY THE DIMENSIONAL DIMENSIONING AND TOLERANCING ADDENDUM-2003. SEPARATE PATTERNS OF FEATURES MAY BE OBTAINED SEPARATELY REGARDLESS OF DATUM REFERENCE.

ALL DIMENSIONS ARE IN MILLIMETERS

4 PROCESS SENSITIVE DIMENSION

DIMENSIONS ENCLOSED IN () INDICATE REFERENCE DIMENSIONS AND NO TOLERANCE RESULTS ARE ESTABLISHED

FROM 0 TO 12 >12

TOLERANCE UNLESS OTHERWISE SPECIFIED ±0.1 ±0.2

ANGULAR TOLERANCE ±2°

THIRD ANGLE PROJECTION

DO NOT SCALE

USE MATH DATA

UNGRAPHS