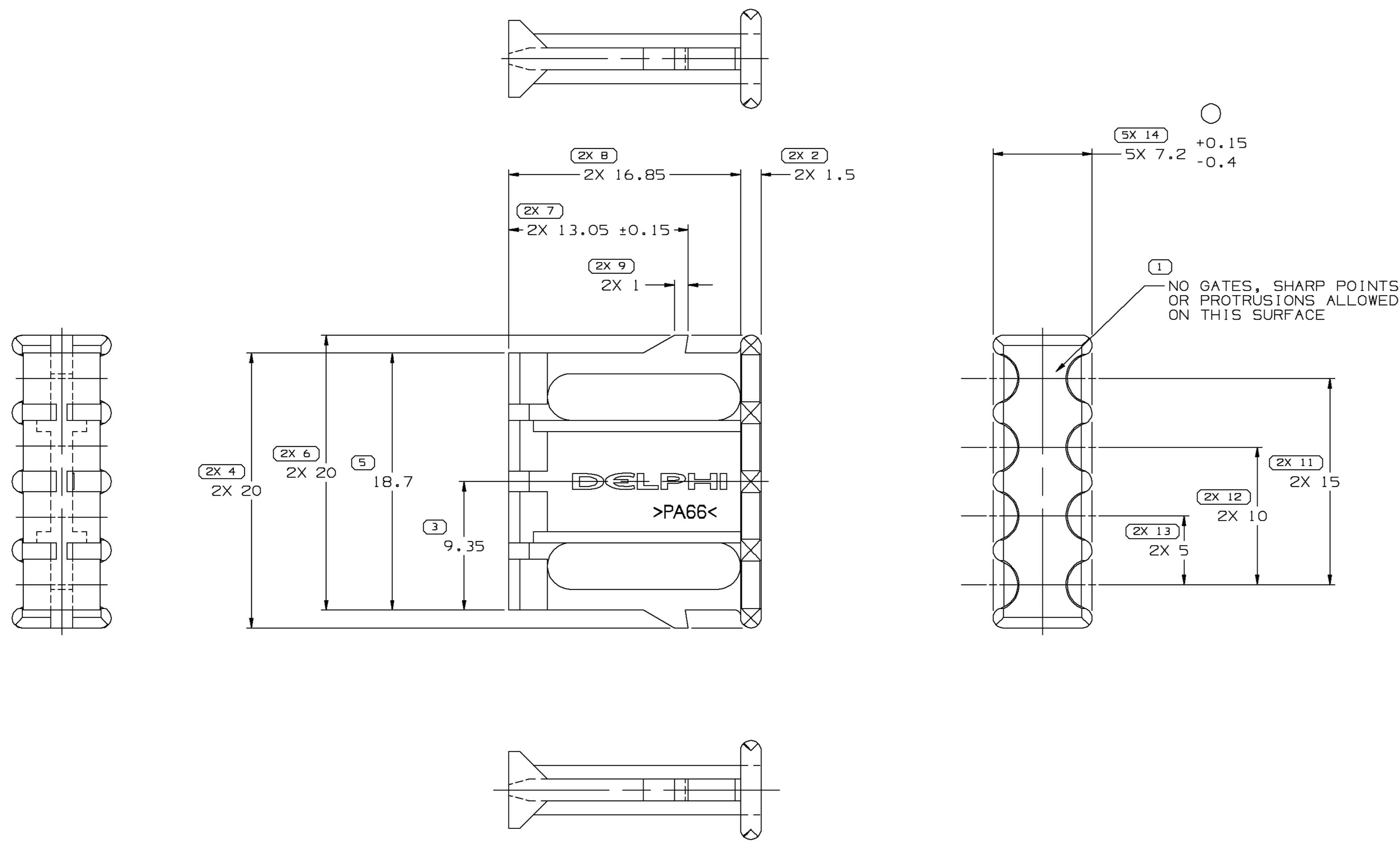


SYMBOL DEFINITION		MISSING SYMBOLS	
A DIMENSION WITHOUT AN INSPECTION REPORT SYMBOL DOES NOT REQUIRE INSPECTION. IT MAY BE CONTROLLED ON THE INDIVIDUAL COMPONENT DRAWING.	TOTAL NO OF INSPECTIONS REQUIRED	26	10
	LAST NO. USED	14	

DWG STATUS					ZONE	REVISION HISTORY	AUTH	DR	APVD1	APVD2
DATE	STG	REV	N/P	CHG						
23JL02	R	B2	-	-		REDRAWN TO PD, MAT'L SPEC WAS R0071784 PA66 HS 1M GRA MD, ADDED MAT'L RECYCLING CODE AND DELPHI LOGO & ADDED NOTES (2 PLCS)	227762	RVP	RVP	ET
240C02	R	B3	-	-		5X 7.2 +0.15/-0.3 WAS 5X 7.2 ±0.15	232533	JAN	JAN	ET
290C02	R	B4	-	-		5X 7.2 +0.15/-0.4 WAS 5X 7.2 +0.15/-0.3 AND REMOVED DIM	232770	RH	RH	ET



- NOTES
- UNLESS OTHERWISE SPECIFIED AND/OR INDICATED: DIMENSIONS ARE TO FACE OF VIEW SHOWN AND AUTOMATICALLY ROUNDED BY COMPUTER FOR INSPECTION (SEE MATH MODEL FOR PRECISE DIMENSIONS). FOR ALL OTHER DIMENSIONS NOT SHOWN BUT REQUIRED FOR TOOL BUILD, SEE MATH MODEL FOR PRECISE TOOL PATH DATA. ALL RADII 0.4. LOCKING FEATURES ARE IDENTICAL.
 - MATERIAL RECYCLING CODE >PA66< PER SAE J1344. (2.3)X(0.1) RAISED CHARACTERS AS SHOWN TO BE LOCATED ON ANY EXTERIOR SURFACE. OPTIONAL CONSTRUCTION TO BE NO MATERIAL RECYCLING CODE.
 - THIS PART IS NOT CONTROLLED FOR AUTOMATIC FEEDING.
 - MATING COMPONENTS OR EQUIVALENT: CONNECTOR 12065140
 - (2.3)X(0.1) RAISED DELPHI CORPORATE BRAND TO BE LOCATED ON ANY EXTERIOR SURFACE, PREFERABLY VISIBLE AT FINAL ASSEMBLY. OPTIONAL CONSTRUCTION TO BE "PED" OR NO LOGO.
 - PART IS SYMMETRICAL ABOUT ITS CENTERLINE.

DWG TYPE		PART DRAWING	
STYLE			
VOLUME (CM ³)	DISTR CODE		
0.680	D		
ROUTING	D		
6900	D		
UNLESS OTHERWISE SPECIFIED			
THIS DOCUMENT IS IN ACCORDANCE WITH ASME Y14.5M-1994 AS AMENDED BY THE GM GLOBAL DIMENSIONING AND TOLERANCING ADDENDUM - 1997. ALL GEOMETRIC TOLERANCES AND RELATED DATUMS APPLY RFS. RULE #1 PERFECT FORM AT MMC DOES NOT APPLY WHEN RELATIONSHIP BETWEEN FEATURES IS ESTABLISHED BY ORIENTATION OR LOCATION TOLERANCES. SEPARATE POSITION CALLOUTS MAY BE GAGED SEPARATELY, REGARDLESS OF DATUM REFERENCE. ALL DIMENSIONS ARE IN MILLIMETERS			
REFERENCE			

DELPHI
DELPHI PACKARD ELECTRIC SYSTEMS
WARREN, OH

DR	DATE
APVD1 J.M. SOVA	10SE85
APVD2 F. HESTON	24JAB6
APVD3 W.E. CROSS	28JAB6
APVD4	
APVD5	

SUBSTANCES OF CONCERN AND RECYCLED CONTENT PER DELPHI 10949001

MATERIAL
M3592025 PA66 HS 1M GRA MD

DRAWING NAME
LOCK TERM LK TPA B GRA

DRAWING NUMBER
12065141

SIZE	SCALE	FRAME NO	SHEET NO	STG	REV	N/P
A1	5:1	1 OF 1	1 OF 1	R	B3	-

R 0.1 MAX		R 0.2 MAX	
SHARP CORNER TOLERANCE			
DIMENSIONAL RANGE (MM)			
FROM	TO	TOLERANCE	UNLESS OTHERWISE SPECIFIED
>0	>20	±0.15	
>20	>30	±0.2	
>30	>70	±0.3	
>70	>100	±0.4	
>100	>150	±0.5	
>150	>200	±0.6	
>200	>250	±0.8	
>250	>300	±1	
>300	>400	±1.2	
ANGULAR TOLERANCE ±2°			

THIRD ANGLE PROJECTION	DO NOT SCALE	UNIGRAPHICS
USE MATH DATA		