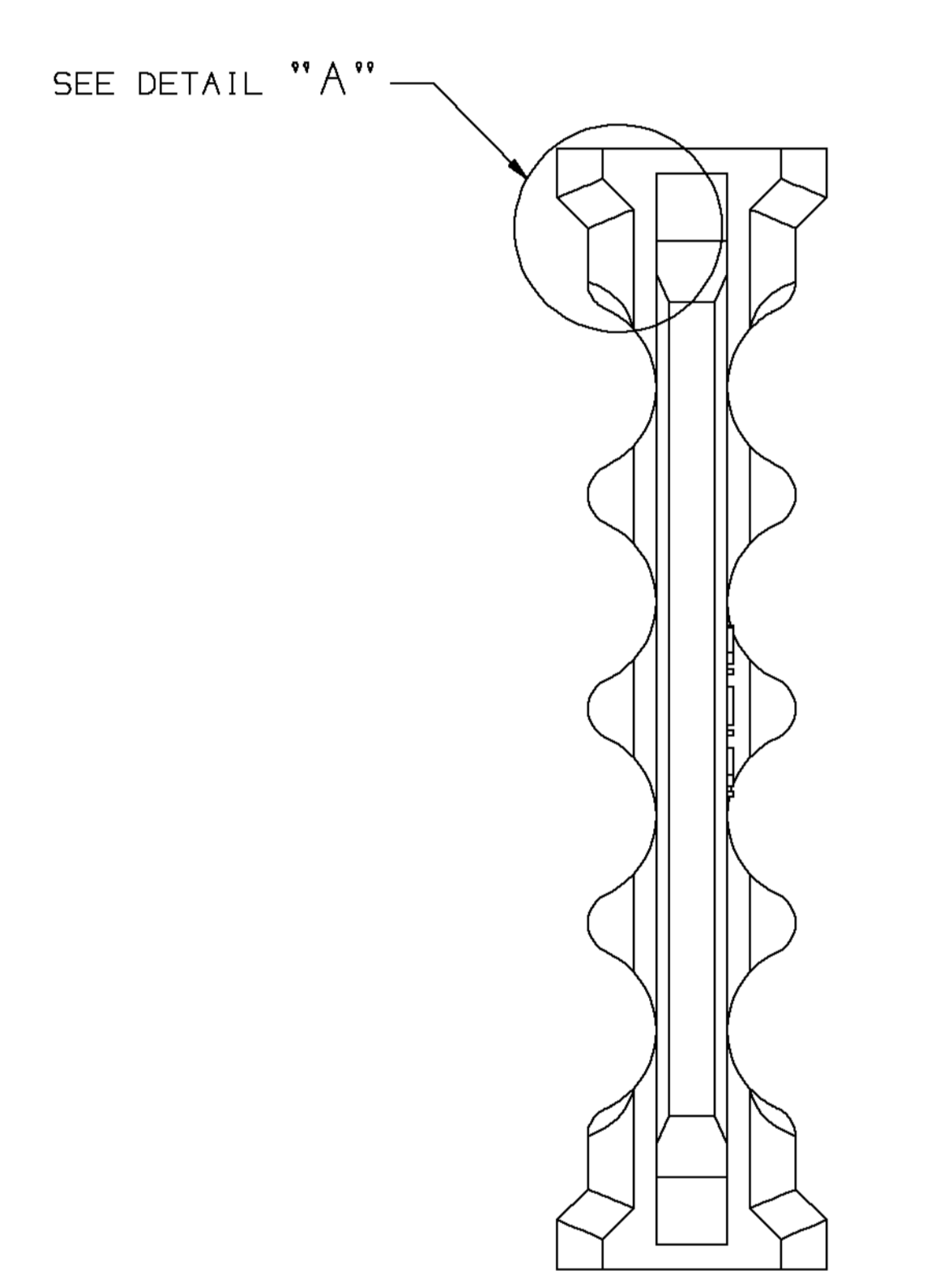
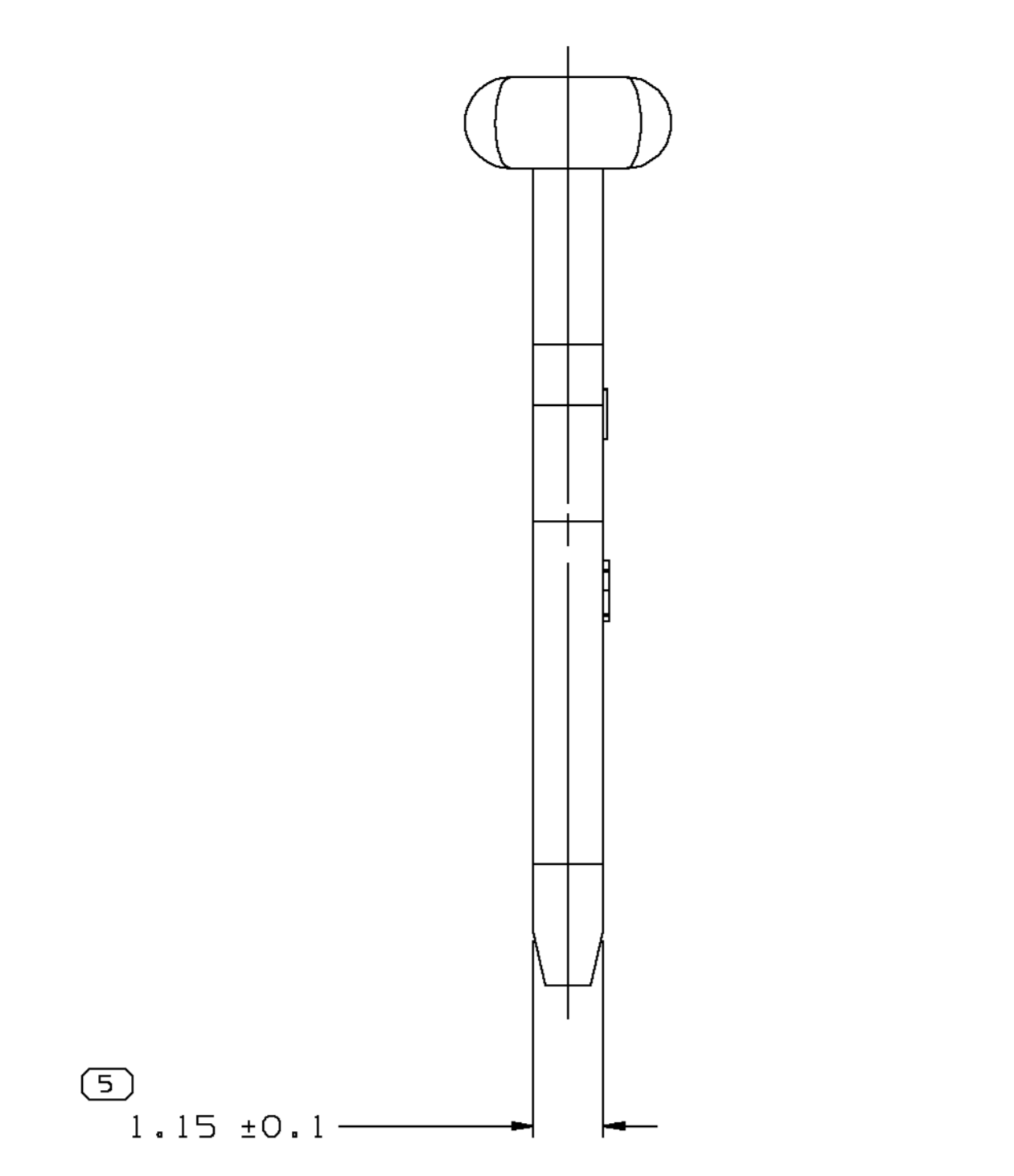
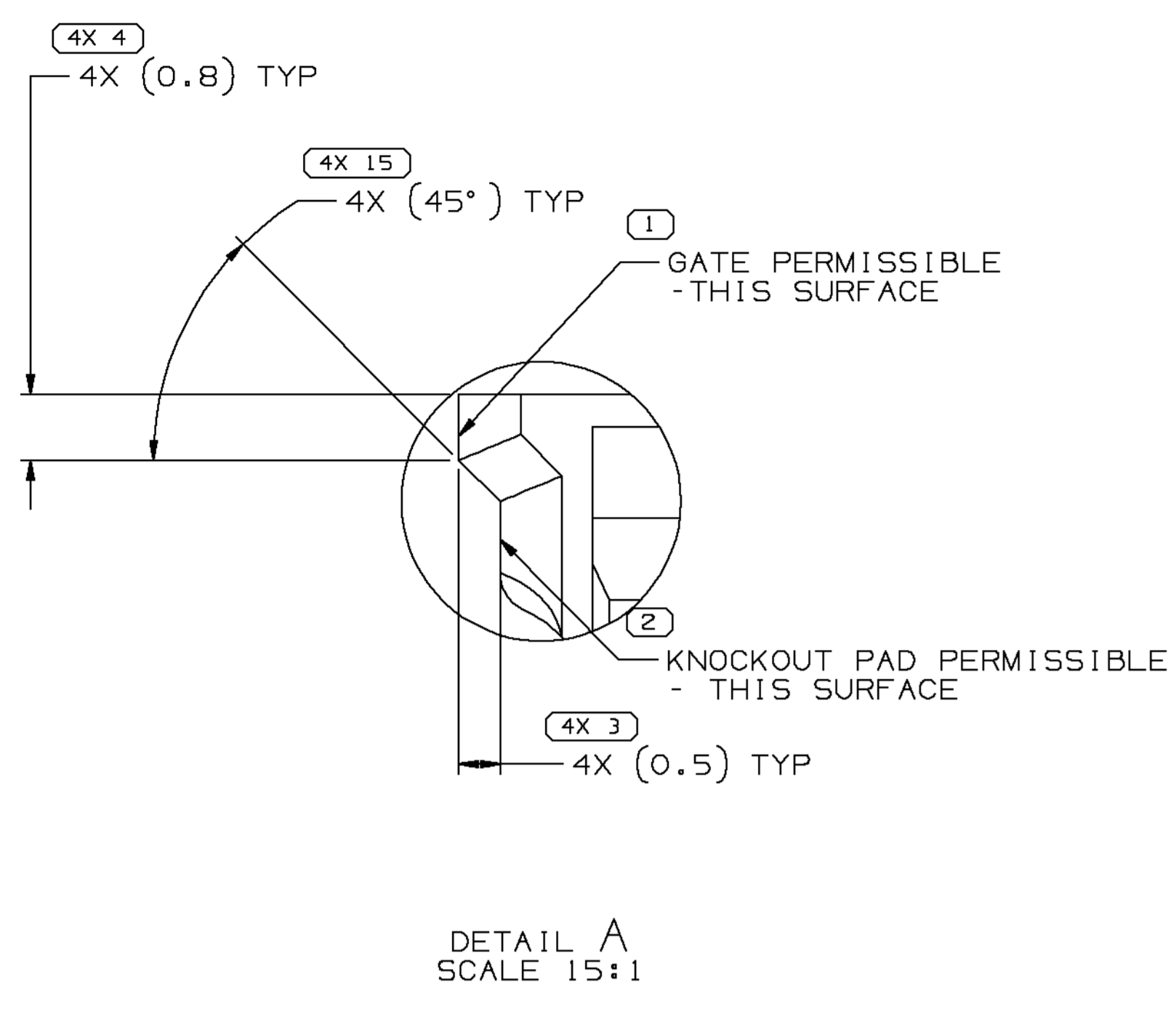
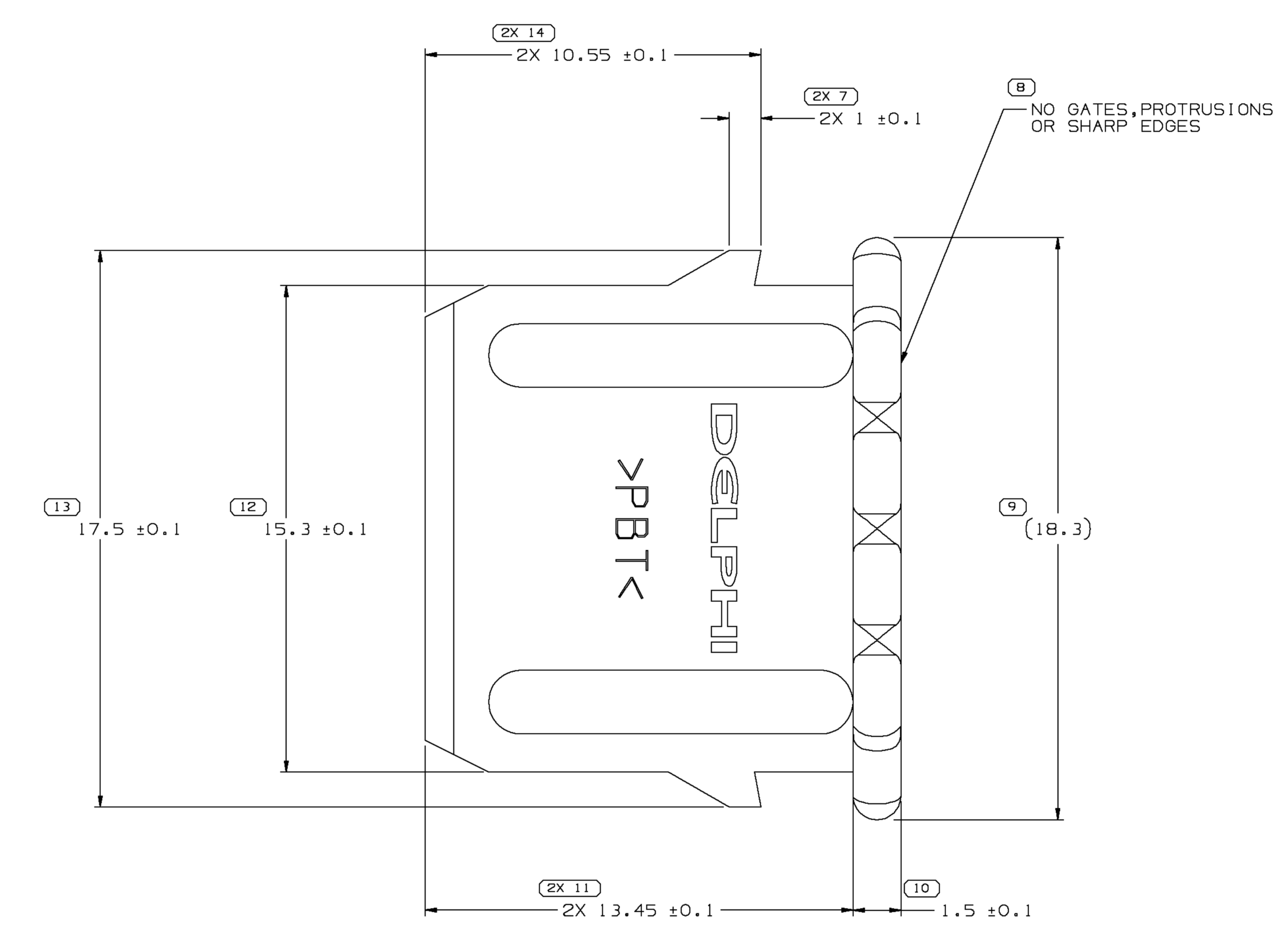
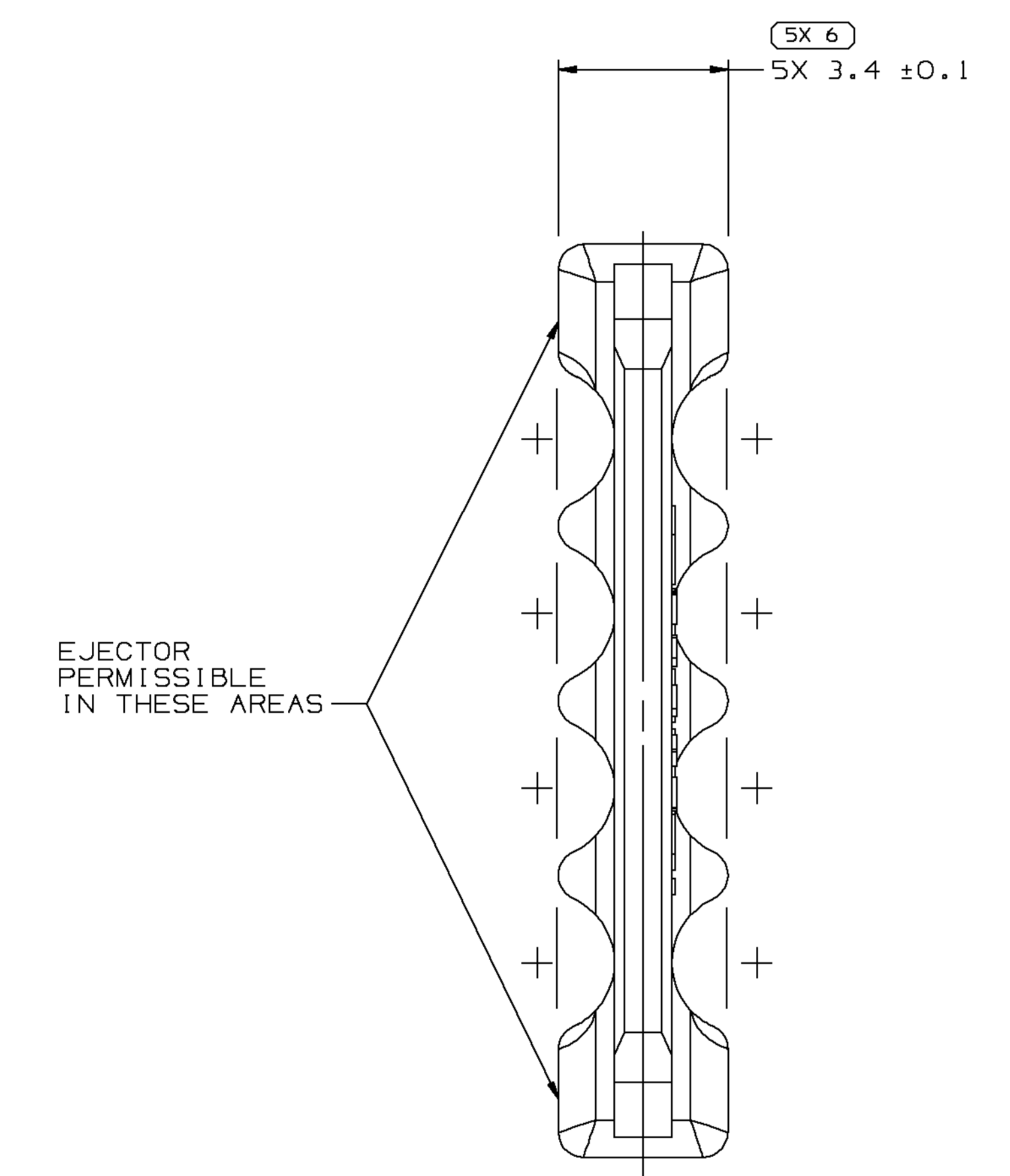


SYMBOL DEFINITION		MISSING SYMBOLS	
A DIMENSION WITHOUT AN INSPECTION REPORT SYMBOL DOES NOT REQUIRE INSPECTION. IT MAY BE CONTROLLED ON THE INDIVIDUAL COMPONENT DRAWING.	TOTAL NO OF INSPECTIONS REQUIRED	NO MISSING SYMBOL NUMBER	
	31		
	LAST NO. USED		
	15		

DWG STATUS				REVISION HISTORY				AUTH		APVD	
DATE	STG	REV	W/P	CHG	ZONE						
22AU02	R	01	-	-		1206476B - CREATED PD		229422	HH	RH	ET

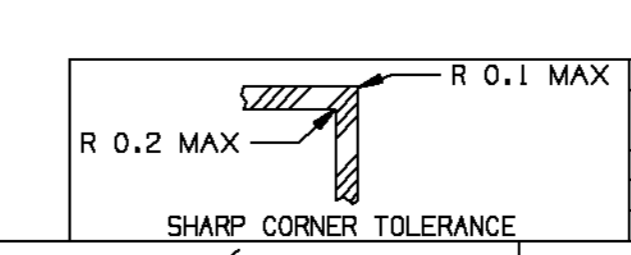


OPTIONAL CONSTRUCTION



- NOTES
- UNLESS OTHERWISE SPECIFIED AND/OR INDICATED: DIMENSIONS ARE TO FACE OF VIEW SHOWN AND AUTOMATICALLY ROUNDED BY COMPUTER FOR INSPECTION (SEE MATH MODEL FOR PRECISE DIMENSIONS). FOR ALL OTHER DIMENSIONS NOT SHOWN BUT REQUIRED FOR TOOL BUILD, SEE MATH MODEL FOR PRECISE TOOL PATH DATA.
 - MATERIAL RECYCLING CODE >PBT< PER SAE J1344. (2,3)X(0,1) RAISED CHARACTERS AS SHOWN TO BE LOCATED ON ANY EXTERIOR SURFACE. OPTIONAL CONSTRUCTION TO BE NO MATERIAL RECYCLING CODE.
 - THIS PART IS NOT CONTROLLED FOR AUTOMATIC FEEDING.
 - MATING COMPONENTS OR EQUIVALENT: CONNECTOR 12064766
 - (2,3)X(0,1) RAISED DELPHI CORPORATE BRAND TO BE LOCATED ON ANY EXTERIOR SURFACE, PREFERABLY VISIBLE AT FINAL ASSEMBLY. OPTIONAL CONSTRUCTION TO BE "PED" OR NO LOGO.
 - FOR POLYESTER IN PROCCES MOISTURE AND PART DEGRADATION LIMITS,SEE ESO- 1502

PART NO	REV	STATUS	MATERIAL SPECIFICATION AND COLOR	VOL
12124717	A	OBSOLETE	PM002348-002 1M POLYESTER-BLK	0.246
12064768	C3		M4695002 PBT BLK	0.246



FROM	TO	DIMENSIONAL RANGE (MM)	TOLERANCE UNLESS OTHERWISE SPECIFIED	CHART ET				
> 0	> 20	> 30	> 70	> 100	> 150	> 200	> 250	> 300
±0.15	±0.2	±0.3	±0.4	±0.5	±0.6	±0.8	±1	±1.2

DWG TYPE		PART DRAWING	
STYLE	SEE CHART	DISTR CODE	D
VOLUME (OP)	6901		
ROUTING			

UNLESS OTHERWISE SPECIFIED	
THIS DOCUMENT IS IN ACCORDANCE WITH ASME Y14.5M-1994 AS AMENDED BY THE GW GLOBAL DIMENSIONING AND TOLERANCING ADDENDUM - 1997. ALL DIMENSIONAL TOLERANCES AND RELATED DATUMS APPLY UNLESS OTHERWISE SPECIFIED.	
UNLESS OTHERWISE SPECIFIED	
ANGULAR TOLERANCE ±2°	

DELPHI
DELPHI PACKARD ELECTRIC SYSTEMS
WARREN, OH

APVD	DATE
APVD1 H. HERNANDEZ	22AU02
APVD2 R. HERMOSILLO	22AU02
APVD3 E. TRACEY	26AU02
APVD4	
APVD5	

MATERIAL: SEE CHART
SUBSTANCES OF CONCERN AND RECYCLED CONTENT PER DELPHI 10949001

DRAWING NAME: TAXI TPA M/P 150
DRAWING NUMBER: 12124719

SIZE: A0 SCALE: 10:1 FRAME NO: 1 OF 1 SHEET NO: 1 OF 1 REV: 01