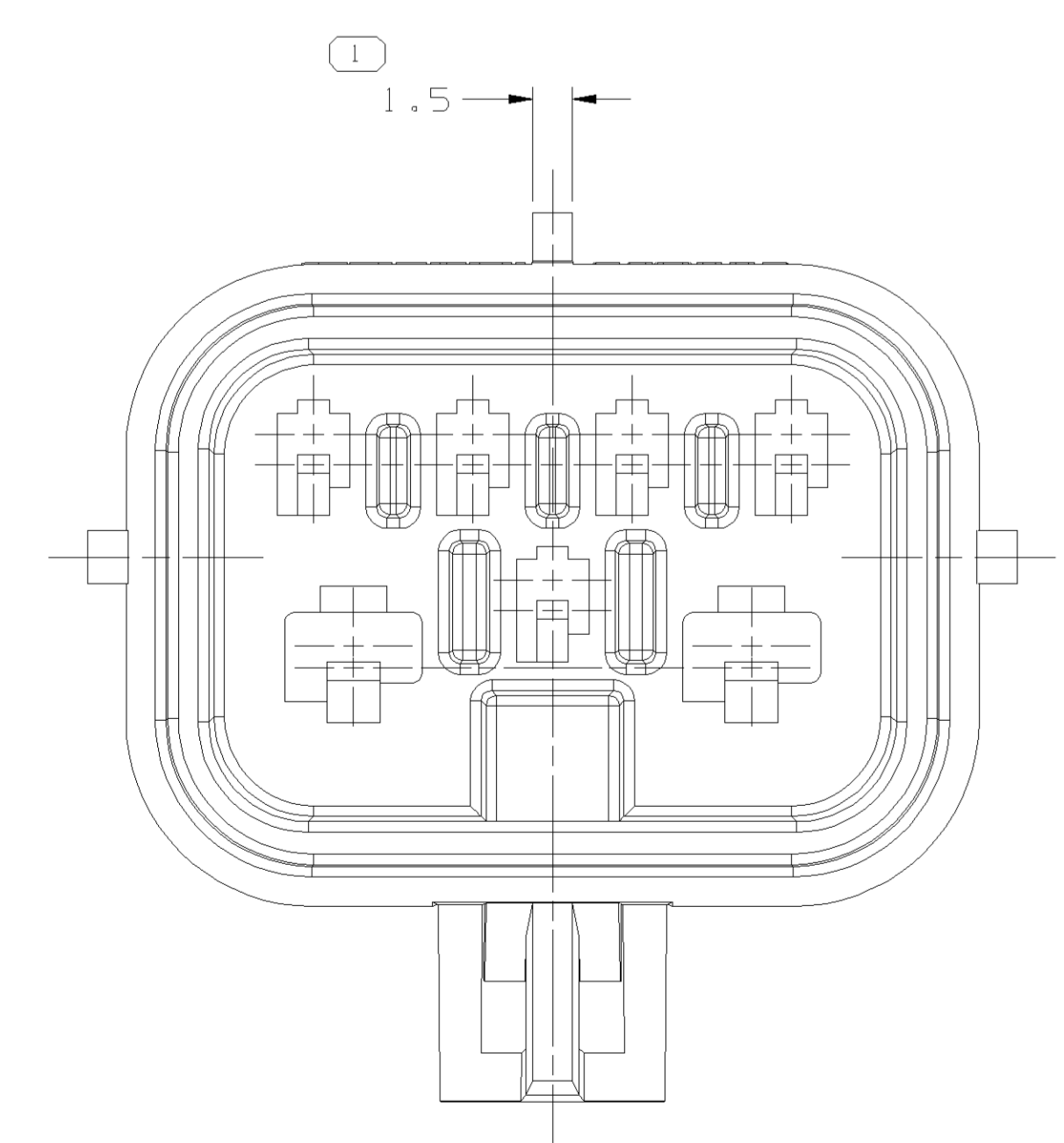
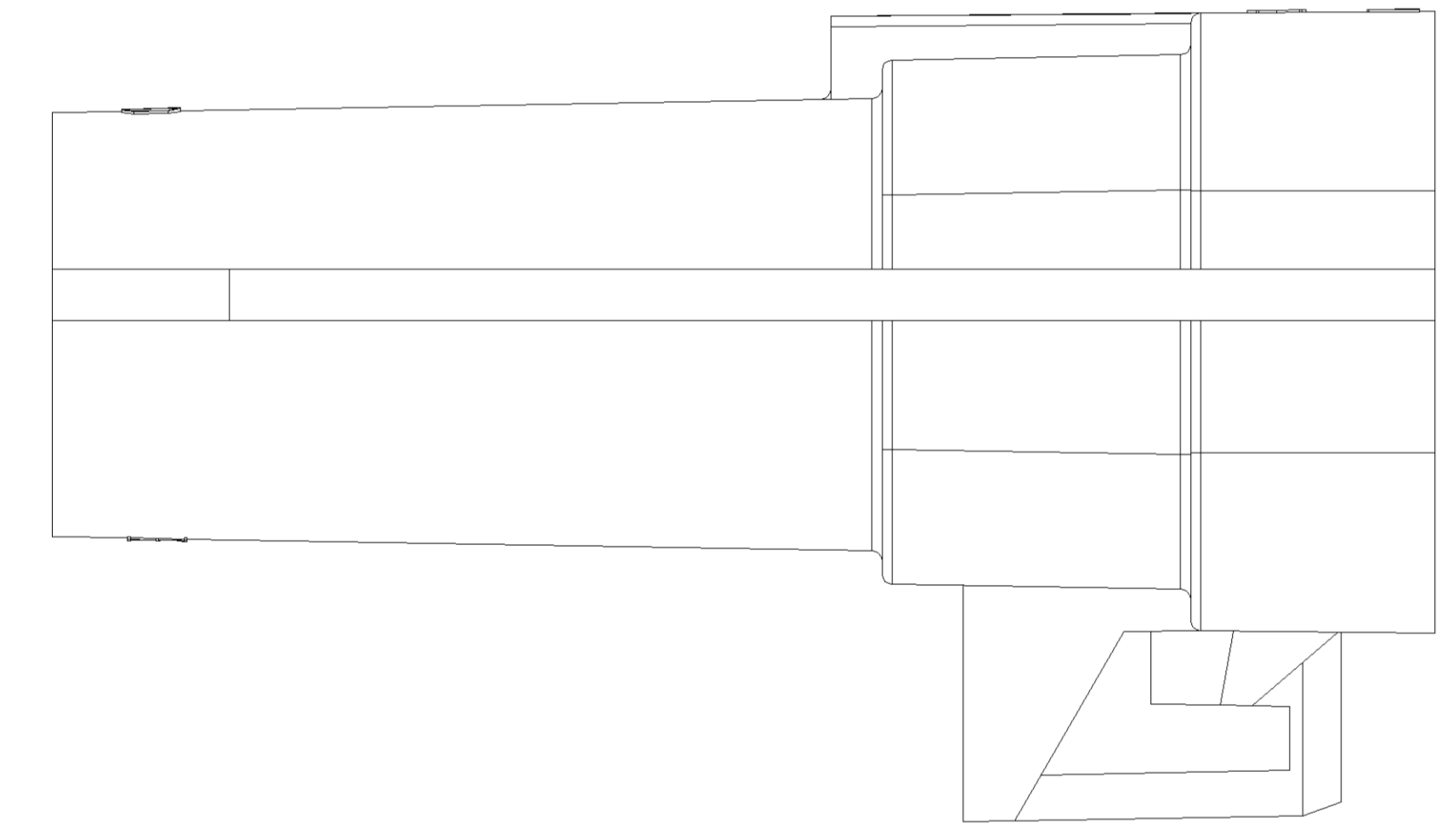
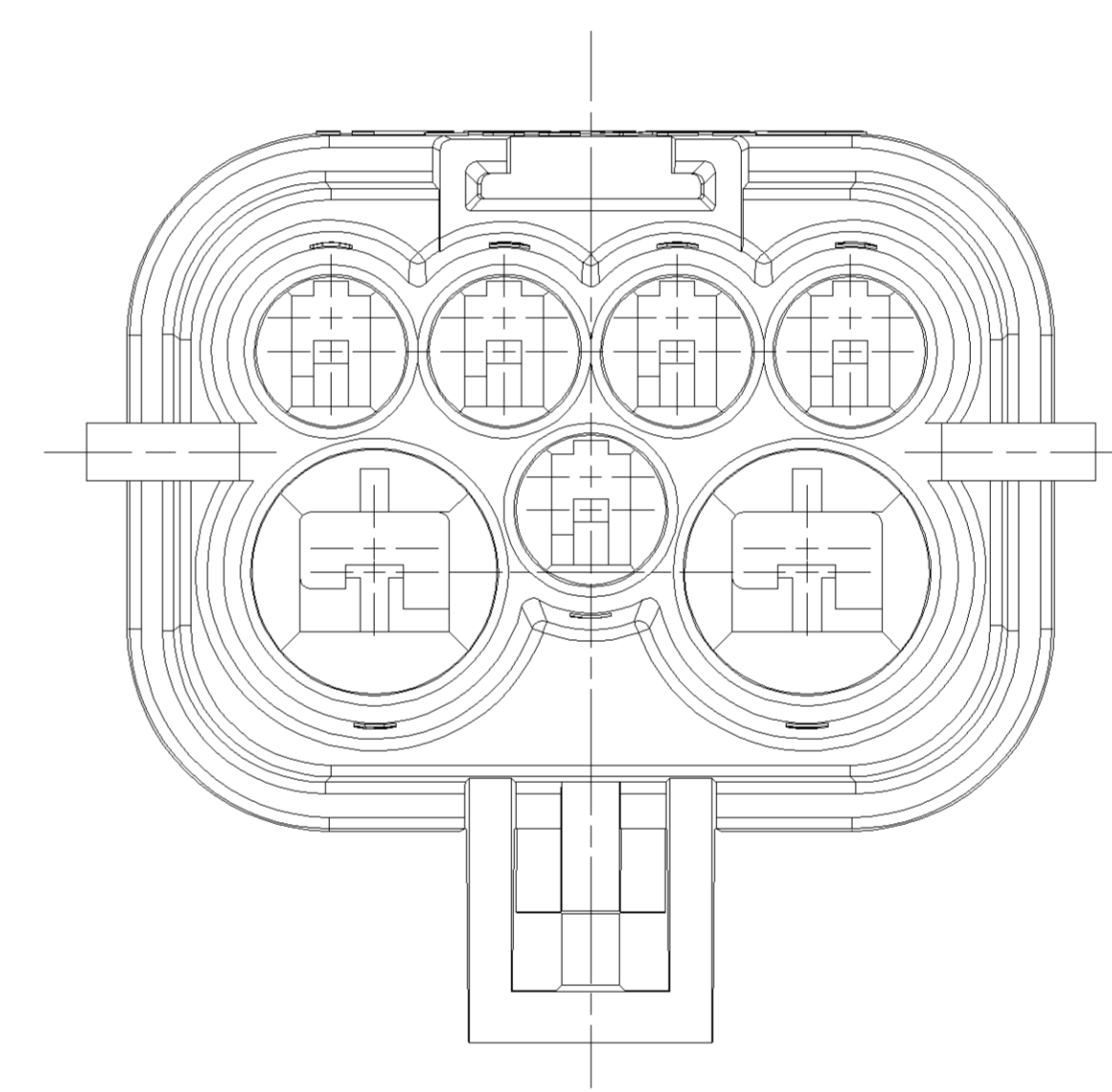
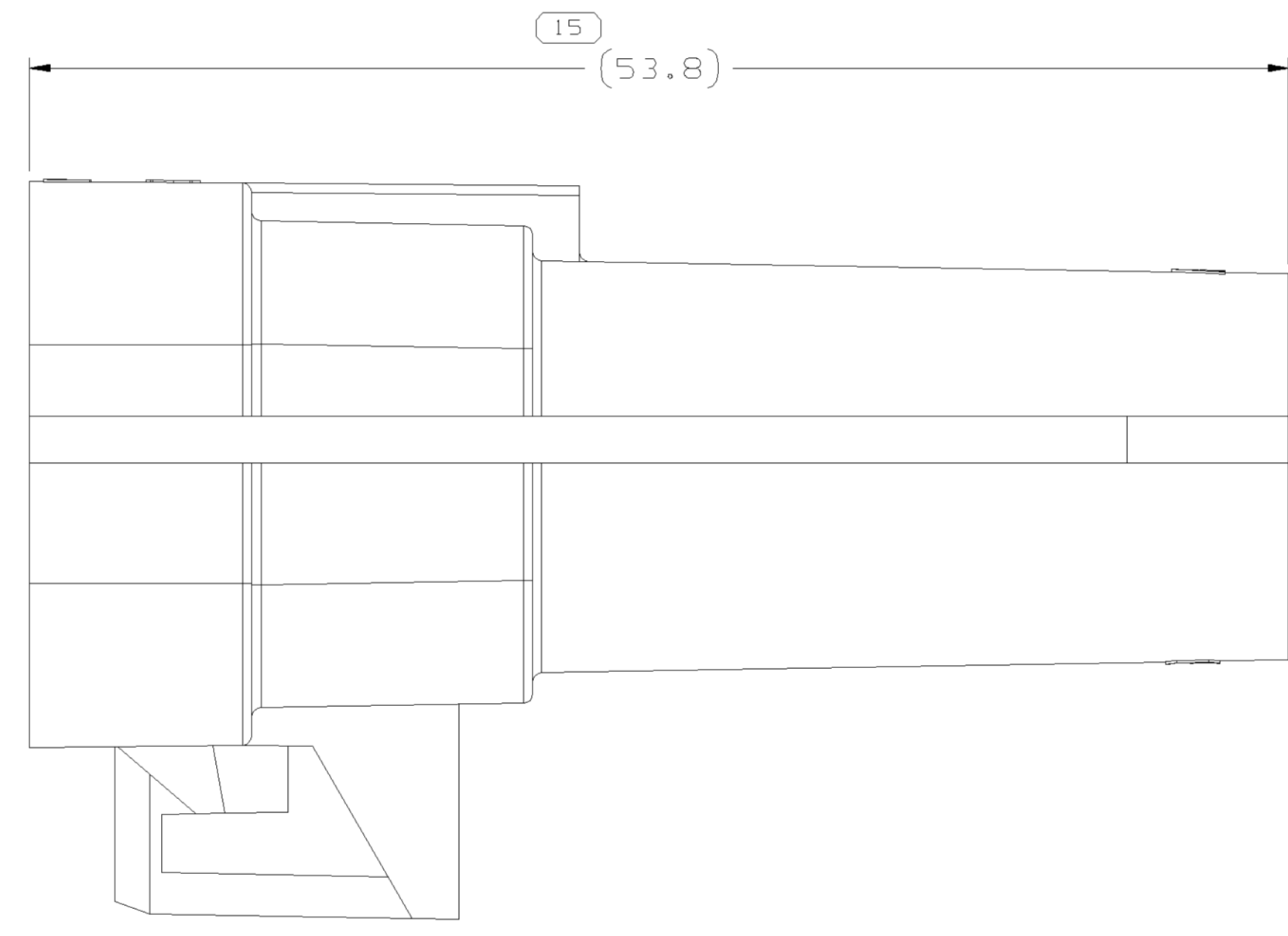
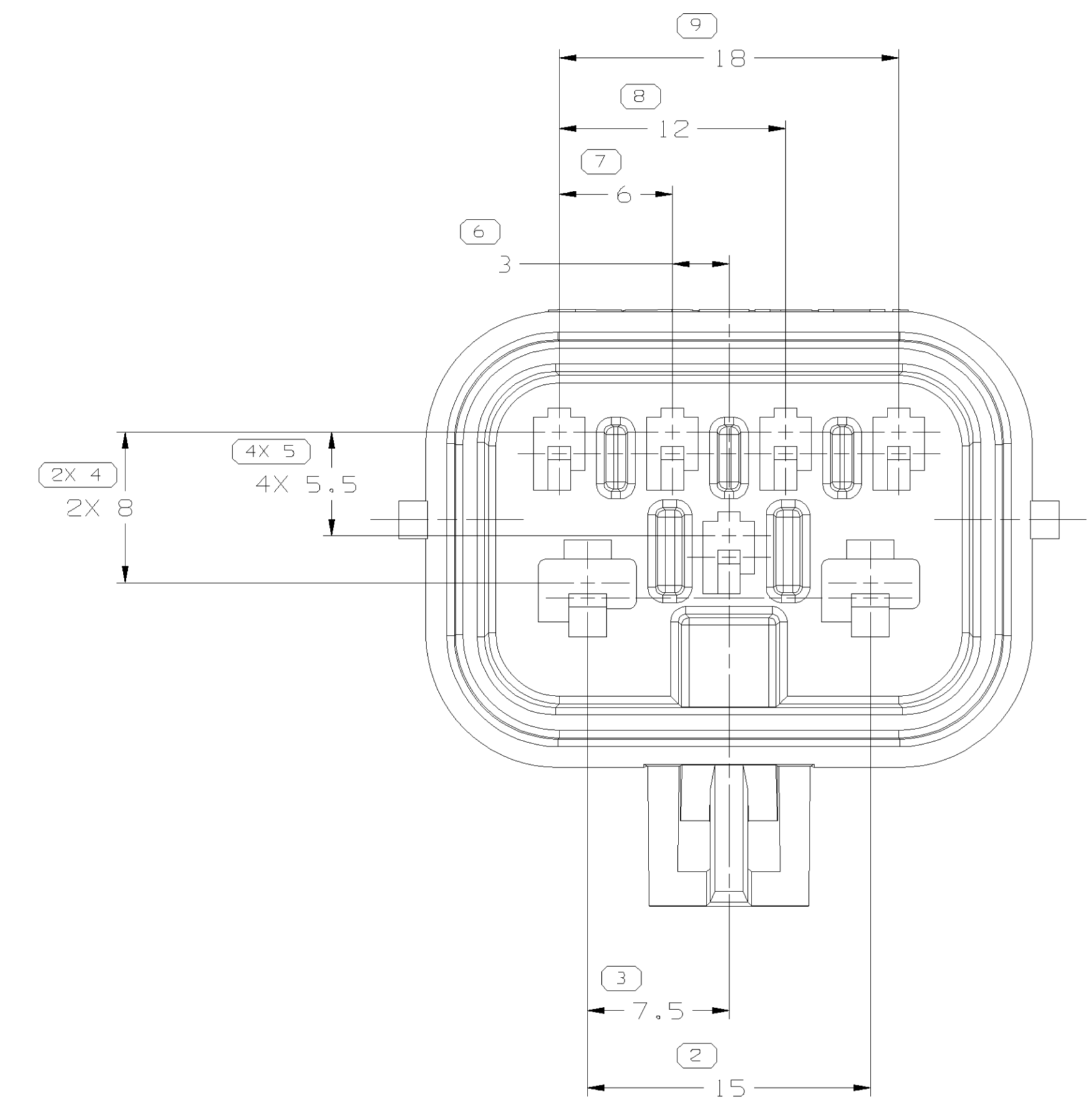
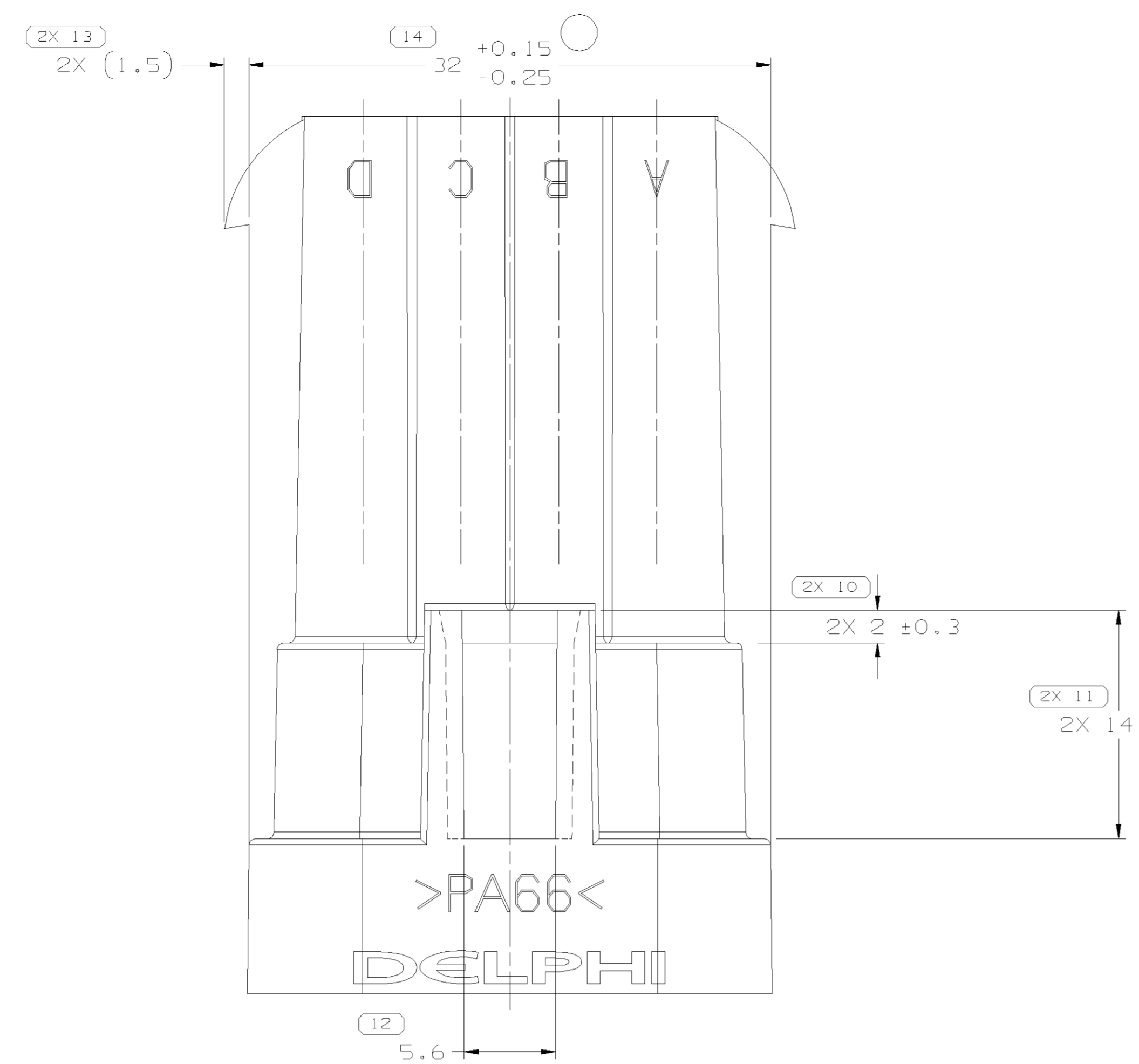


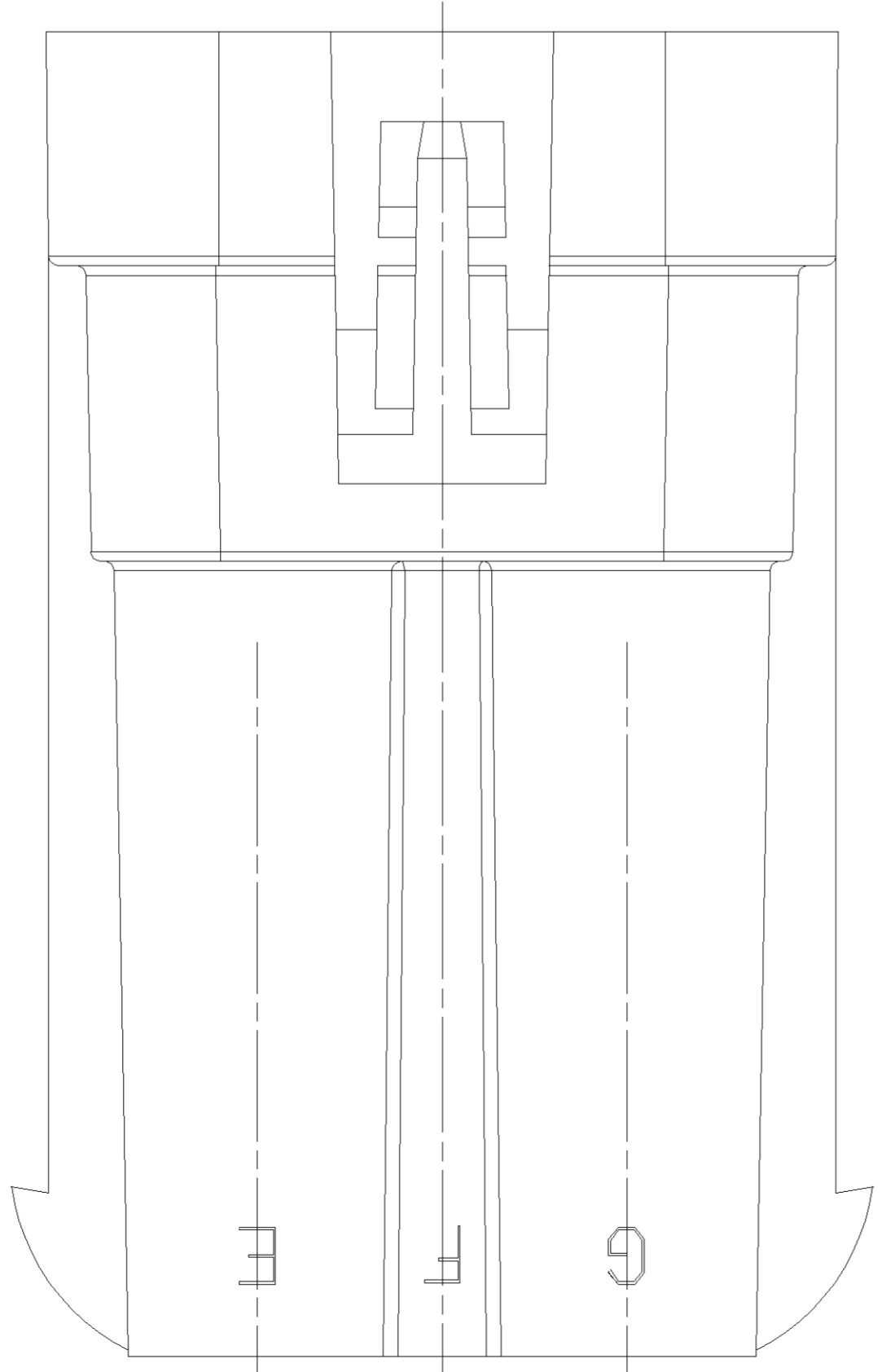
SYMBOL DEFINITION		MISSING SYMBOLS	
A DIMENSION WITHOUT AN INSPECTION REPORT SYMBOL DOES NOT REQUIRE INSPECTION. IT MAY BE CONTROLLED ON THE INDIVIDUAL COMPONENT DRAWING.	TOTAL NO OF INSPECTIONS REQUIRED	NO MISSING SYMBOL NUMBER	
	22		
	LAST NO. USED	15	

DWG STATUS				REVISION HISTORY				AUTH	DR	APVD	APVD
DATE	STG	REV	N/P	CHK	ZONE						
06MY03	R	01	-	-							

ALL PARTS - DIM 32+0.15/-0.25 WAS 32+0.15, 240594 MAT'L SPEC WAS R0071754 AND ADDED NOTES (2 PLCS)

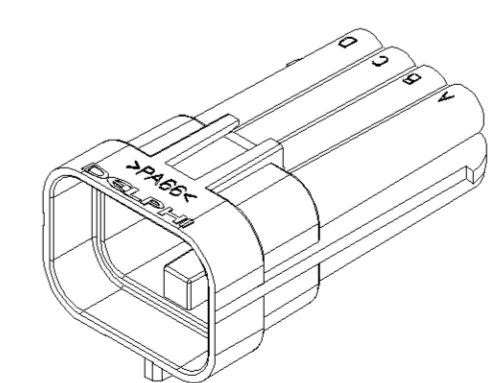


TYPE 102
SAME AS TYPE 101
EXCEPT AS SHOWN

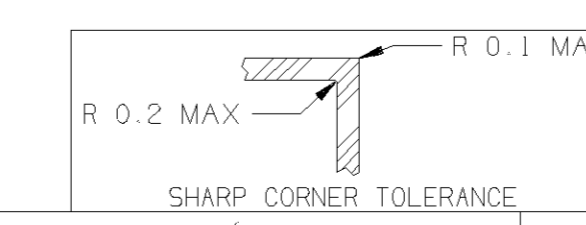


NOTES

- UNLESS OTHERWISE SPECIFIED AND/OR INDICATED: DIMENSIONS ARE TO FACE OF VIEW SHOWN AND AUTOMATICALLY ROUNDED BY COMPUTER FOR INSPECTION (SEE MATH MODEL FOR PRECISE DIMENSIONS). FOR ALL OTHER DIMENSIONS NOT SHOWN BUT REQUIRED FOR TOOL BUILD, SEE MATH MODEL FOR PRECISE TOOL PATH DATA.
- MATERIAL RECYCLING CODE >PA66< PER SAE J1344. (2.31X10.1) RAISED CHARACTERS AS SHOWN TO BE LOCATED ON ANY EXTERIOR SURFACE. OPTIONAL CONSTRUCTION TO BE NO MATERIAL RECYCLING CODE.
- MATING COMPONENTS OR EQUIVALENT: CONNECTOR & SEAL ASSEMBLY 12059472 TPA 12052199 CAVITIES A, B, C, D, & F ARE IDENTICAL AND ACCEPT 120457773 TERMINAL. CAVITIES E & G ARE IDENTICAL AND ACCEPT 12052172 TERMINAL.
- (2.31X10.1) RAISED DELPHI CORPORATE BRAND TO BE LOCATED ON ANY EXTERIOR SURFACE, PREFERABLY VISIBLE AT FINAL ASSEMBLY. OPTIONAL CONSTRUCTION TO BE "PED" OR NO LOGO.
- TYPE 102 TO ACCEPT CPA 12020833 OR EQUIVALENT



PART NO	REV/N/P	STATUS	TYPE	MATERIAL SPECIFICATION AND COLOR	VOLUME CM ³
12092055	A3	-	102	M3592001 PA66 HS IM-BLK	11.662
12052200	D4	-	101	M3592001 PA66 HS IM-BLK	11.654



DIMENSIONAL RANGE (MM)	TOLERANCE UNLESS OTHERWISE SPECIFIED
FROM > 0 TO > 20	±0.15
> 20 TO > 30	±0.2
> 30 TO > 40	±0.3
> 40 TO > 50	±0.4
> 50 TO > 60	±0.5
> 60 TO > 70	±0.6
> 70 TO > 80	±0.8
> 80 TO > 100	±1
> 100 TO > 150	±1.2
> 150 TO > 200	±1.5
> 200 TO > 250	±2
> 250 TO > 300	±2.5
> 300 TO > 400	±3

DWG TYPE		PART DRAWING	
STYLE	SEE CHART	DISTR CODE	D
VOLUME (TP)	6900,6901		
ROUTING			

DELPHI
DELPHI PACKARD ELECTRIC SYSTEMS
WARREN, OH

DR	DATE
APV01 Q. OCHOA	07AP97
APV02 E. BAEZ	16AP97
APV03 J. HORIUCHI	20JN97
APV04	
APV05	

MATERIAL SUBSTANCES OF CONCERN AND RECYCLED CONTENT PER DELPHI 10949001

SEE CHART

DRAWING NAME
TAXI CONN 7M M/P 150,480 SLD

DRAWING NUMBER
15324017

SIZE	SCALE	FRAME NO	SHEET NO	STG	REV	N/P
A0	4:1	1	1	1	1	1