
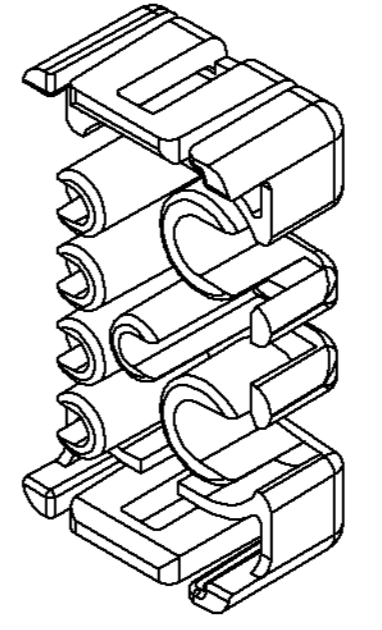
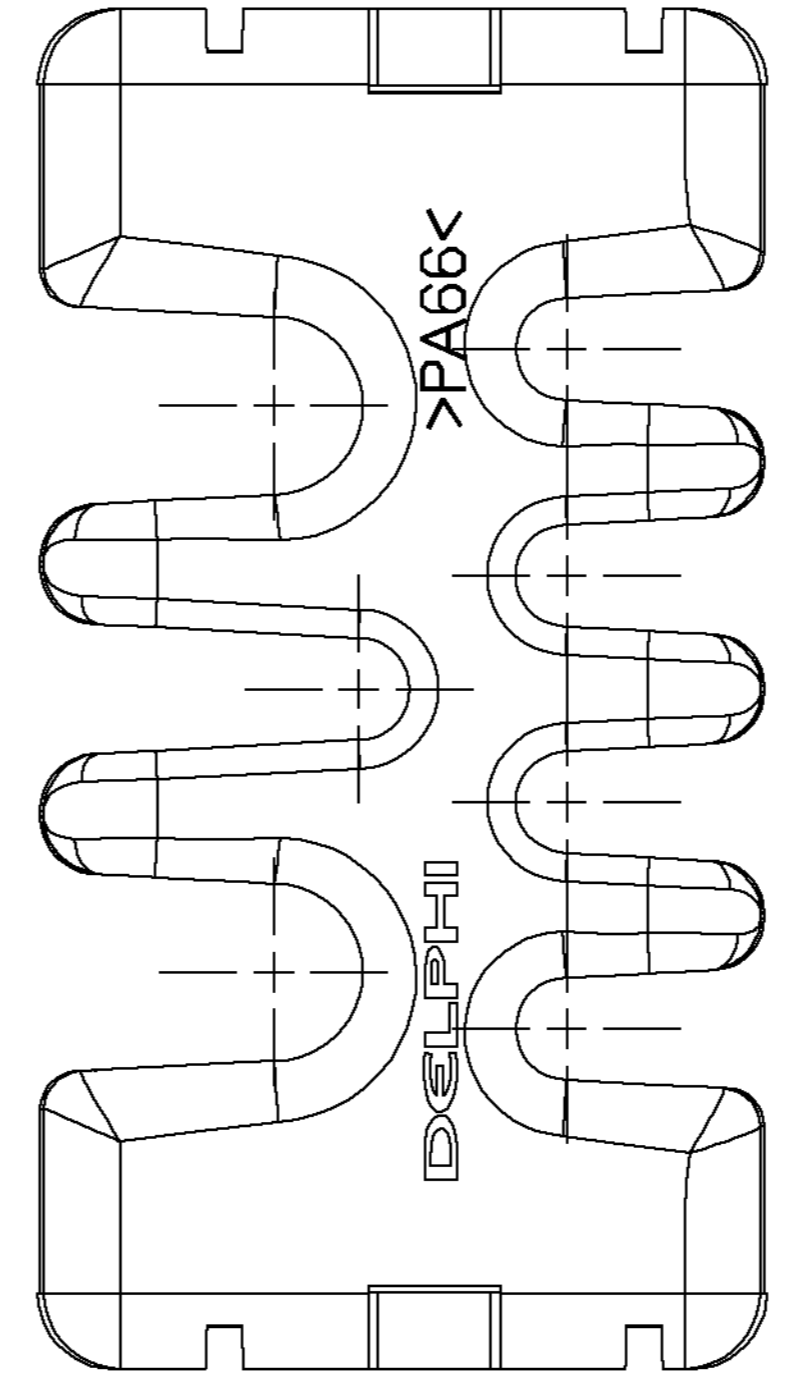
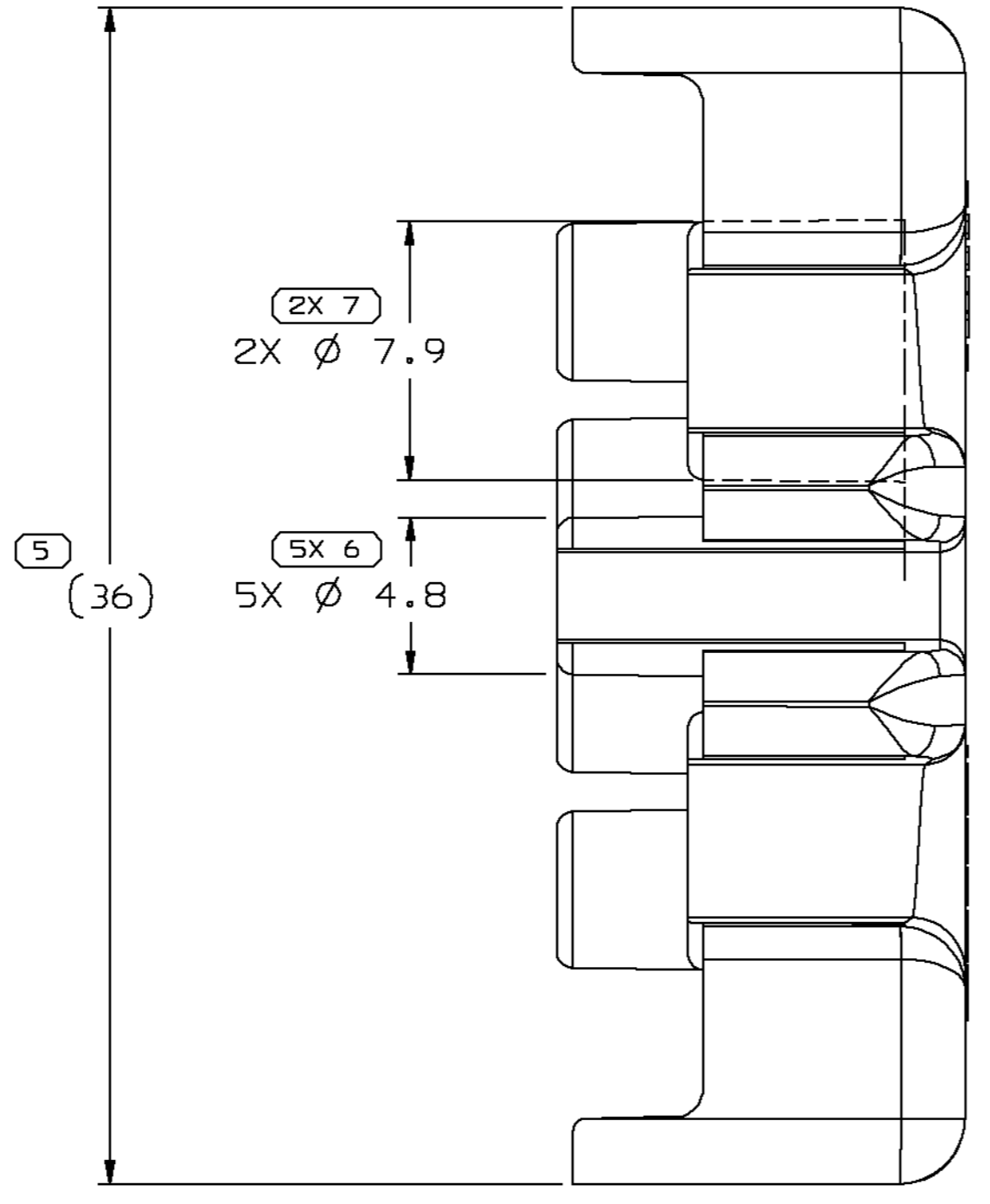
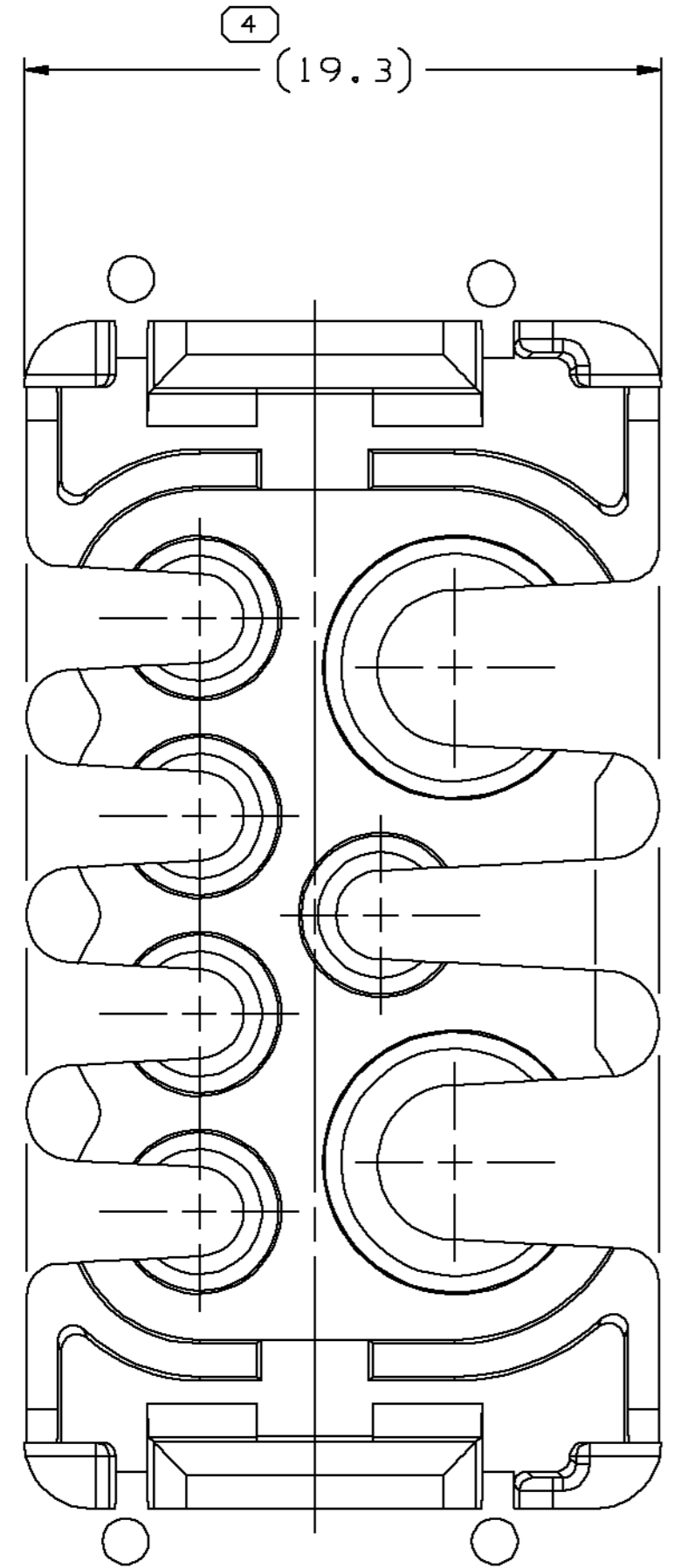
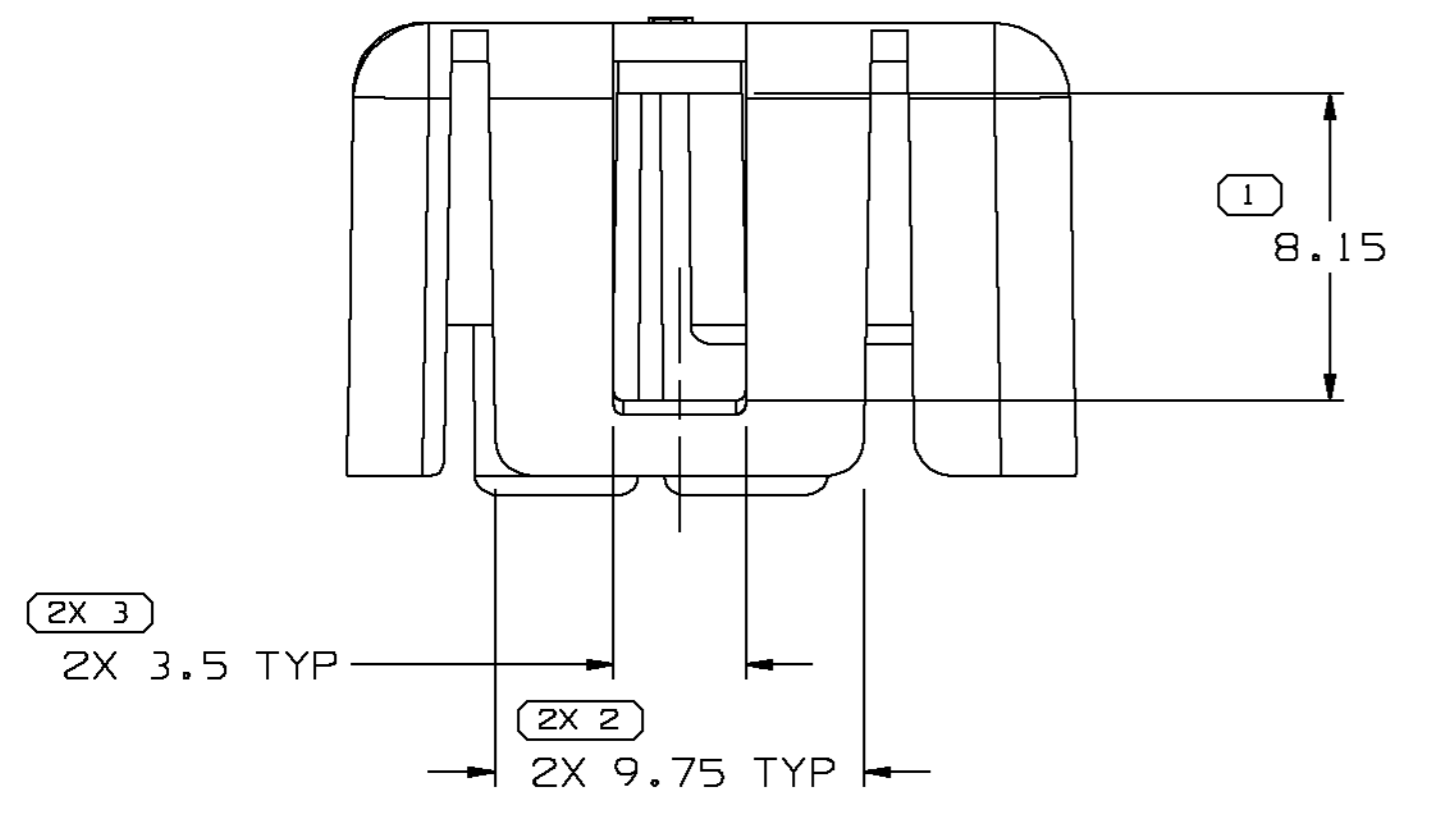


SYMBOL DEFINITION		MISSING SYMBOLS	
A DIMENSION WITHOUT AN INSPECTION REPORT SYMBOL  DOES NOT REQUIRE INSPECTION. IT MAY BE CONTROLLED ON THE INDIVIDUAL COMPONENT DRAWING.	TOTAL NO OF INSPECTIONS REQUIRED	NO MISSING SYMBOL NUMBER	14
	LAST NO. USED		7

DWG STATUS					ZONE	REVISION HISTORY	AUTH	DR	APVD1	APVD2
DATE	STG	REV	N/P	CHG						
25FE02	R	01	-	-		ALL PARTS - CREATED PD, ADDED OPTIONAL LOGO AND MATERIAL RECYCLING CODE NOTES, REVISED GRAPHICS & REVISED MATERIAL SPEC	221641	JGR	EOV	JH
280C02	R	02	-	-		ALL PARTS - ADDED KNOCKOUT PADS (4 PLCS)	232806	RH	RH	ET



- NOTES
- UNLESS OTHERWISE SPECIFIED AND/OR INDICATED: DIMENSIONS ARE TO FACE OF VIEW SHOWN AND AUTOMATICALLY ROUNDED BY COMPUTER FOR INSPECTION (SEE MATH MODEL FOR PRECISE DIMENSIONS). FOR ALL OTHER DIMENSIONS NOT SHOWN BUT REQUIRED FOR TOOL BUILD, SEE MATH MODEL FOR PRECISE TOOL PATH DATA.
  - MATERIAL RECYCLING CODE >PA66< PER SAE J1344. (2.3)X(0.1) RAISED CHARACTERS AS SHOWN TO BE LOCATED ON ANY EXTERIOR SURFACE. OPTIONAL CONSTRUCTION TO BE NO MATERIAL RECYCLING CODE.
  - MATING COMPONENTS OR EQUIVALENT:  
CONNECTOR 12052200  
480 MAX. CABLE DIA. THAT WILL FIT PART IS 4.5  
150 MAX. CABLE DIA. THAT WILL FIT PART IS 2.5
  - (2.3)X(0.1) RAISED DELPHI CORPORATE BRAND TO BE LOCATED ON ANY EXTERIOR SURFACE, PREFERABLY VISIBLE AT FINAL ASSEMBLY. OPTIONAL CONSTRUCTION TO BE "PED" OR NO LOGO.

DWG TYPE		PART DRAWING	
STYLE			
VOLUME (CM <sup>3</sup> )	SEE CHART	DISTR CODE	D
ROUTING	6900		
UNLESS OTHERWISE SPECIFIED			
THIS DOCUMENT IS IN ACCORDANCE WITH ASME Y14.5M-1994 AS AMENDED BY THE GM GLOBAL DIMENSIONING AND TOLERANCING ADDENDUM - 1997. ALL GEOMETRIC TOLERANCES AND RELATED DATUMS APPLY PER SAE EIA-187-A. RULE #1 (PERFECT FORM AT MMC) DOES NOT APPLY WHEN RELATIONSHIP BETWEEN FEATURES IS ESTABLISHED BY ORIENTATION OR LOCATION TOLERANCES. SEPARATE POSITION CALLOUTS MAY BE GAGED SEPARATELY, REGARDLESS OF DATUM REFERENCE.			
ALL DIMENSIONS ARE IN MILLIMETERS			

**DELPHI**  
DELPHI PACKARD ELECTRIC SYSTEMS  
WARREN, OH

DR	DATE
APVD1 J.GAVALDON	25FE02
APVD2 E.VAZQUEZ	25FE02
APVD3 J.HORIUCHI	26FE02
APVD4	
APVD5	

SUBSTANCES OF CONCERN AND RECYCLED CONTENT PER DELPHI 10949001

MATERIAL: SEE CHART

DRAWING NAME: TAXI TPA 7W M/P 150 480

DRAWING NUMBER: 12186399

SIZE	SCALE	FRAME NO	SHEET NO	STG	REV	N/P
A1	5:1	1 OF 1	1 OF 1	R	02	-

12186538	R	02	AA	M3592008 - PA66 IM HS BLU	2.444
12052199	R	08	AA	M3592001 - PA66 IM HS BLK	2.444
PART NO	STG	REV	N/P	MATERIAL SPECIFICATION AND COLOR	VOLUME CM <sup>3</sup>

R 0.1 MAX		R 0.2 MAX		SHARP CORNER TOLERANCE	
DIMENSIONAL RANGE (MM)					
FROM	TO	TOLERANCE	UNLESS OTHERWISE SPECIFIED	CHART	EI
> 0	> 20	±0.15	±0.2	±0.3	±0.4
> 20	> 30	±0.2	±0.3	±0.4	±0.5
> 30	> 70	±0.3	±0.4	±0.5	±0.6
> 70	> 100	±0.4	±0.5	±0.6	±0.8
> 100	> 150	±0.5	±0.6	±0.8	±1
> 150	> 200	±0.6	±0.8	±1	±1.2
> 200	> 250	±0.8	±1	±1.2	±1.5
> 250	> 300	±1	±1.2	±1.5	±2
> 300	> 400	±1.2	±1.5	±2	±2.5

THIRD ANGLE PROJECTION

DO NOT SCALE

USE MATH DATA

