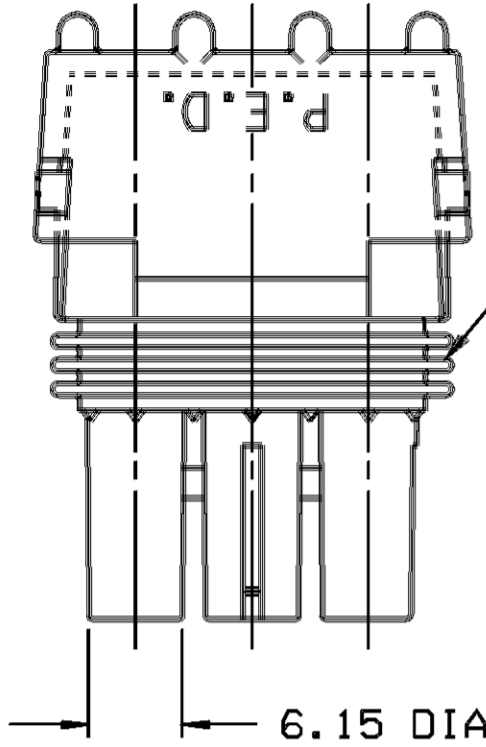


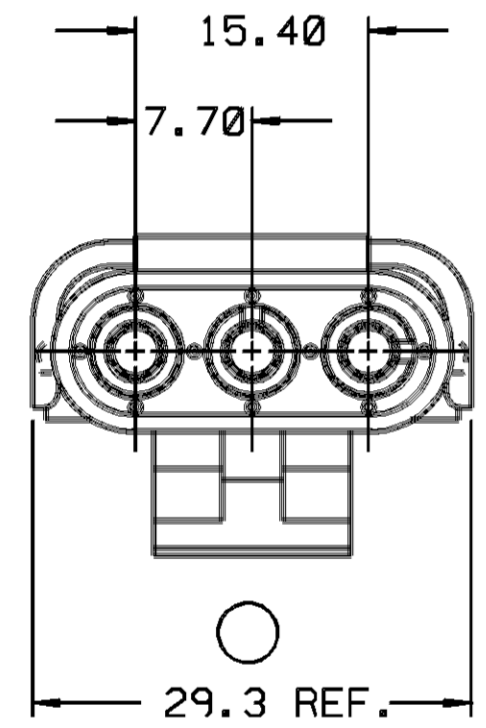
THIS DRAWING AND DESIGN HEREON CONSTITUTES A PROPRIETARY DESIGN OF PACKARD ELECTRIC DIVISION AND IS NOT TO BE DUPLICATED OR REPRODUCED WITHOUT AUTHORITY OF PACKARD ELECTRIC DIVISION.

DO NOT SCALE

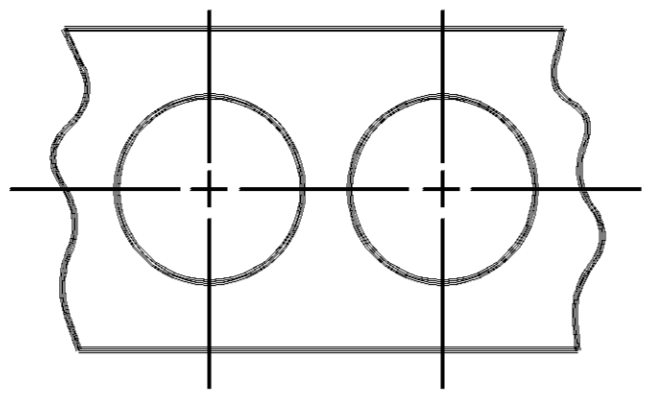
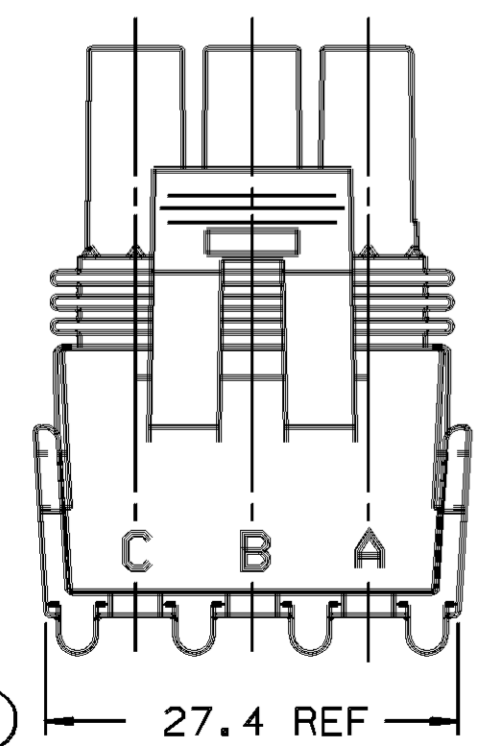


SEALING RIBS MUST BE FREE OF DEFECTS.

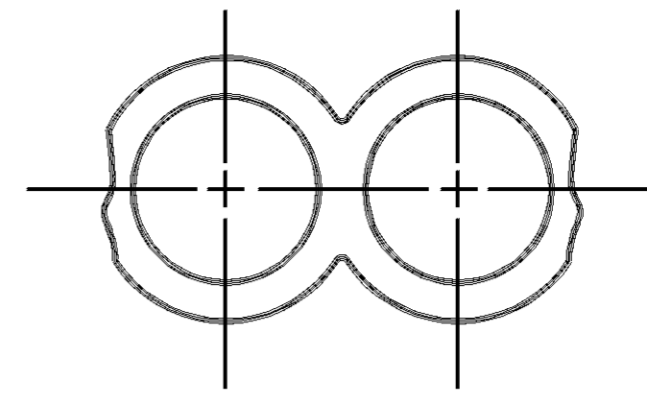
6.15 DIA. - 3 PLCS



INDEX CODE
-430-
(ALSO SEE HANDBOOK)

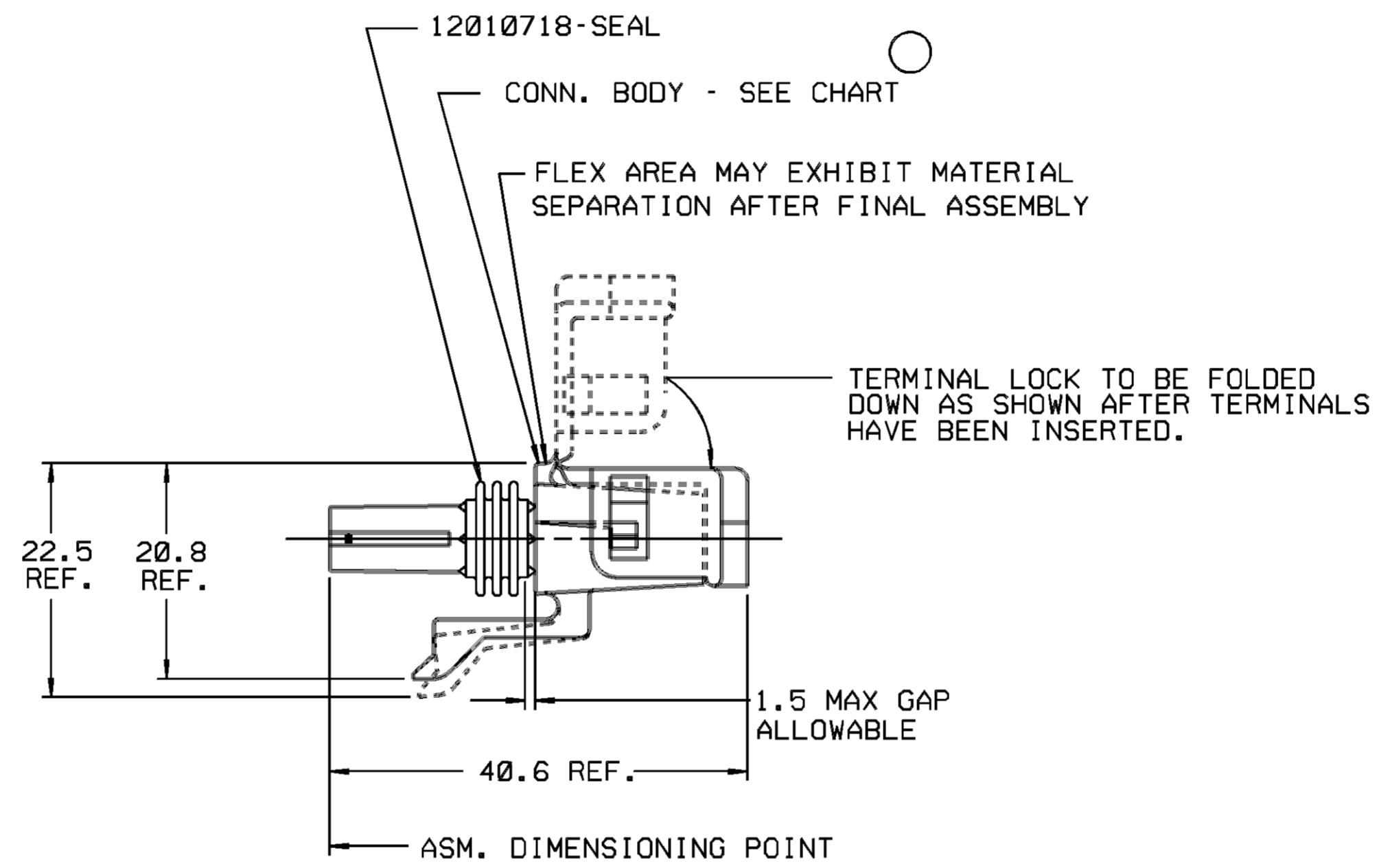


STANDARD CONSTRUCTION



OPTIONAL CONSTRUCTION

CABLE END VIEW OF CONN. BODY



- NOTES**— 1. USE FEMALE TERMINAL 12089188 OR EQUIVALENT FOR "IN LINE" APPLICATIONS. USE MALE TERMINAL 12089040 OR EQUIVALENT FOR PANEL MOUNT APPLICATIONS.
 2. USE CABLE SEAL 12015323 OR EQUIVALENT.
 3. MATING PART - SEE CHART.
 4. WHEN PARTS ARE SHIPPED THEY MUST BE PACKED IN PLASTIC BAGS OR SHIPPING CONTAINERS MUST BE LINED WITH PLASTIC LINERS. BAGS OR LINERS MUST BE SEALED TO AVOID ENTRY OF FOREIGN MATTER.
 5. SEALING CODE 3.
 6. WHEN DESIGNING A PART TO MATE TO THIS WEATHER PACK CONNECTOR, REQUEST THE LATEST COPY OF DRAWING NUMBER 12020084 FROM THE PACKARD ELECTRIC DIVISION.

| DATE | SYM | REVISION RECORD | AUTHORITY | DR | CK |
|--------|-----|---|-----------|-----|-----|
| 230C90 | | P/N'S 12015796 & 12041332 REDRAWN FROM SEPARATE 'C' SIZE SHEETS AND REVISED - NO REVISION UPDATE REQ'D | 0137269 | FDS | FDS |
| 07N090 | | 12103771 - RELEASE TO REV 'A' | 900005 | GC | GC |
| 13JN91 | | ALL PARTS - REVISED NOTE #3, ADDED MATING PARTS TO CHART, CONN. BODY - SEE CHART WAS 12015786 CONN. BODY, 29.3 REF. WAS 29.0 REF., 40.6 REF. WAS 40.3 REF. AND 27.4 REF. WAS 27.40 REF. - NO REV UPDATE REQ'D | 142373 | GC | GC |

PART NO.
1210 3632

PACKARD ELECTRIC DIVISION
GENERAL MOTORS CORPORATION
WARREN, OHIO

197A
4471A(2)
43A
4274A
4300A

| ASM PART NUMBER | REV | STATUS | CONNECTOR BODY | STANDARD DESCRIPTION | APPLICATION | REF. TERM/GENDER | MATING PART |
|-----------------|-----|--------|----------------|----------------------|-------------|------------------|----------------------------------|
| 12103771 | A | | 12103770 | ASM CONN 3M W/P TWR | DEVICE | 12089040/M | DEVICE |
| 12041332 | A | | 12041326 | ASM CONN 3F W/P TWR | IN-LINE | 12089188/F | 12015442 PLUS 12015174 INSERT |
| 12015796 | A | | 12015786 | ASM CONN 3F W/P TWR | IN-LINE | 12089188/F | 12015442 PLUS 12015174 INSERT |

PED / MICROSTATION
FILE SPEC: ****USER****
DGN SPECIFICATION *****
****SYTIME*****

THIRD ANGLE PROJECTION

CODE NO. 6900
TOLERANCE UNLESS OTHERWISE SPECIFIED
DECIMAL: ANGULAR ±2°
ONE PLACE ± 0.3
TWO PLACE ± 0.15

Q.C. -C-5110
DWG. DATE 230C90
SCALE NONE
DR. F. DAVID SILVIO 230C90

EST. NO. CK. F. DAVID SILVIO DATE 230C90
REFERENCE NO. APPR. ALEX R HERMANN DATE 250C90
APPR.

MATERIAL SPEC. SEE DWG.

NAME ASM CONN 3 W/P TWR

PART NO. **1210 3632** SIZE **C**